



Chipsmall Limited consists of a professional team with an average of over 10 year of expertise in the distribution of electronic components. Based in Hongkong, we have already established firm and mutual-benefit business relationships with customers from,Europe,America and south Asia,supplying obsolete and hard-to-find components to meet their specific needs.

With the principle of "Quality Parts,Customers Priority,Honest Operation,and Considerate Service",our business mainly focus on the distribution of electronic components. Line cards we deal with include Microchip,ALPS,ROHM,Xilinx,Pulse,ON,Everlight and Freescale. Main products comprise IC,Modules,Potentiometer,IC Socket,Relay,Connector.Our parts cover such applications as commercial,industrial, and automotives areas.

We are looking forward to setting up business relationship with you and hope to provide you with the best service and solution. Let us make a better world for our industry!



Contact us

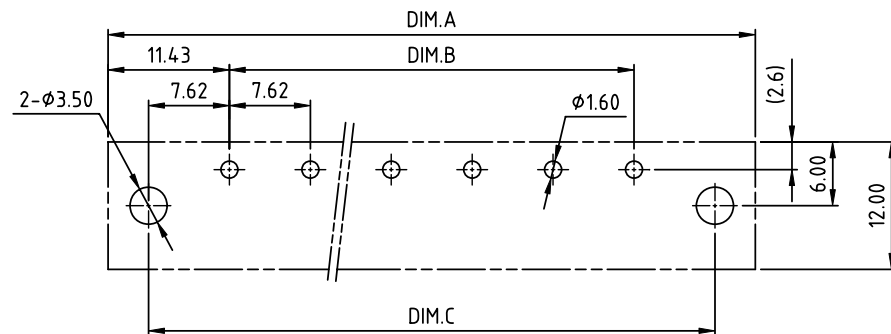
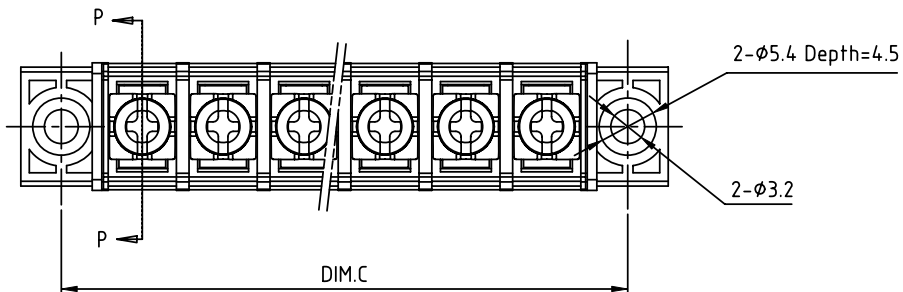
Tel: +86-755-8981 8866 Fax: +86-755-8427 6832

Email & Skype: info@chipsmall.com Web: www.chipsmall.com

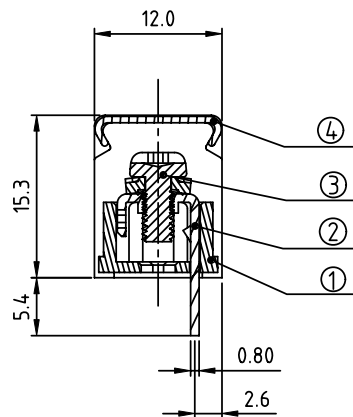
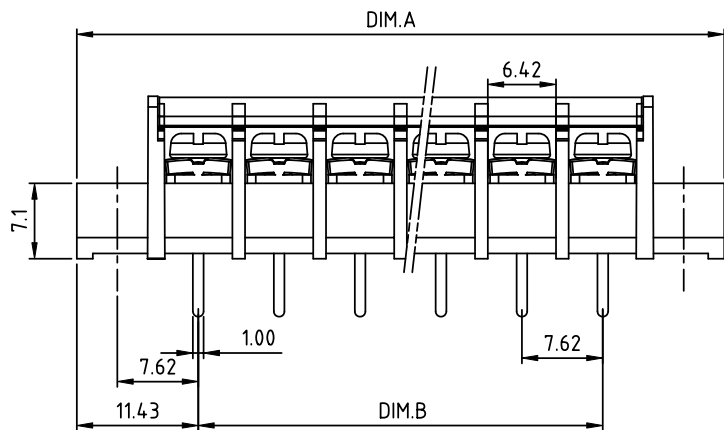
Address: A1208, Overseas Decoration Building, #122 Zhenhua RD., Futian, Shenzhen, China



PRODUCT NUMBER	PITCH
YK302xx1x0J0G	7.62 mm



RECOMMENDED P.C.B LAYOUT
TOP VIEW



SECTION:P-P

- MATERIALS ELECTRICAL
- RATED VOLTAGE & CURRENT: 300 V, 15 A
- WITHSTAND VOLTAGE: AC 2000 V/Min
- INSULATION RESISTANCE: 1000 MΩ OR MORE AT DC 500 V
- OPERATING TEMPERATURE RANGE: -40 °C ~ +115 °C
- SCREW TORQUE VALUE: 5.2 Lb-In.
- WIRE RANGE: 14 ~ 22 AWG
- 1) HOUSING: THERMOPLASTIC, UL 94 V-0 BLACK
- 2) TERMINAL: BRASS, 0.8t
- 3) TERMINAL SCREWS: STEEL, M3
- 4) COVER: TRANSPARENT, PC

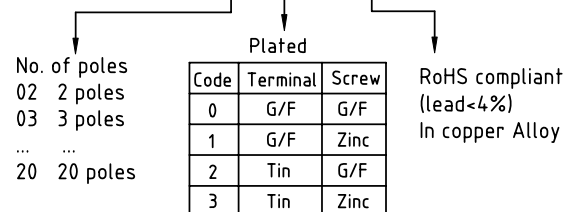
DIMENSION

Dim A	(N+2)×7.62
Dim B	(N-1)×7.62
Dim C	(N+1)×7.62

N=Number of poles

Poles	Tolerance
2p-4p	±0.20
5p-10p	±0.30
11p-16p	±0.40
17p-20p	±0.50

PART NO.: YK 302xx 1 x 0 J0G



mat'l. code		surface ASME Y14.5 ✓	tolerance ASME Y14.5	projection MM	product family TERMINAL BLOCK
ltr	ecn no	dr	date	tolerances unless otherwise specified	title TERMINAL BLOCK
				angles X°±1'	BARRIER TYPE, WITH FLANGE & COVER
				scale	sheet 1 of 1 size A4
		dr	HANKE FENG	060914	YK302xx1x0J0G
		enr	HANKE FENG	060914	
		chr	HANKE FENG	060914	
		appd	SHI JUN	060914	CUSTOMER Drawing
sheet index	revision sheet	A	1		