



Chipsmall Limited consists of a professional team with an average of over 10 year of expertise in the distribution of electronic components. Based in Hongkong, we have already established firm and mutual-benefit business relationships with customers from,Europe,America and south Asia,supplying obsolete and hard-to-find components to meet their specific needs.

With the principle of “Quality Parts,Customers Priority,Honest Operation,and Considerate Service”,our business mainly focus on the distribution of electronic components. Line cards we deal with include Microchip,ALPS,ROHM,Xilinx,Pulse,ON,Everlight and Freescale. Main products comprise IC,Modules,Potentiometer,IC Socket,Relay,Connector.Our parts cover such applications as commercial,industrial, and automotives areas.

We are looking forward to setting up business relationship with you and hope to provide you with the best service and solution. Let us make a better world for our industry!



Contact us

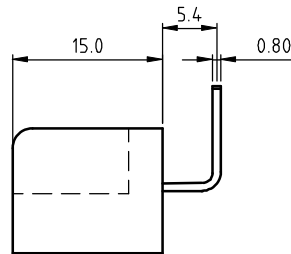
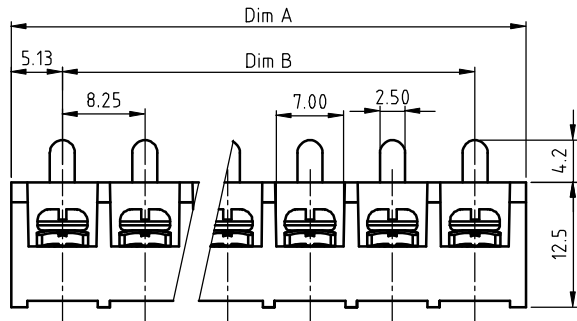
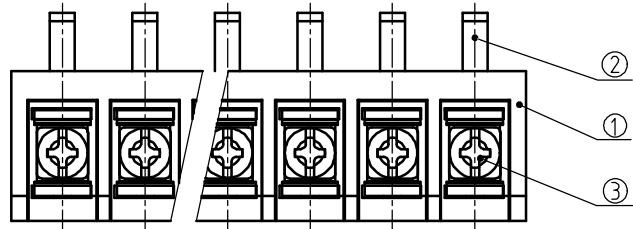
Tel: +86-755-8981 8866 Fax: +86-755-8427 6832

Email & Skype: info@chipsmall.com Web: www.chipsmall.com

Address: A1208, Overseas Decoration Building, #122 Zhenhua RD., Futian, Shenzhen, China



PRODUCT NUMBER	PITCH
YK335xx0x0J0G	8.25 mm



MATERIALS & ELECTRICAL
 RATED VOLTAGE & CURRENT: cULus / CQC 300 V, 20 A / 300 V, 32 A
 WITHSTAND VOLTAGE: AC 2500V/Min
 INSULATION RESISTANCE: 1000 MΩ OR MORE AT DC 500 V
 OPERATING TEMPERATURE RANG: -40 °C +115 °C
 SCREW TORQUE VALUE: 8.8 Lb-In
 WIRE RANGE: 22 - 12 AWG
 1) HOUSING: Thermoplastic, UL 94 V-0 BLACK
 2) TERMINAL: BRASS, 0.8t
 3) TERMINAL SCREWS: STEEL,M3
 APPROVAL:

DIMENSION

Dim A	N×8.25+2.0
Dim B	(N-1)×8.25

N=Number of poles

Poles	Tolerance
2p-5p	±0.20
6p-10p	±0.25
11p-16p	±0.35
17p-24p	±0.40
25p-32p	±0.50

PART NO.: YK 335xx 0 x 0 J0G

No. of poles	Plated	RoHS compliant (lead<4%) In copper Alloy
02 2 poles	Code 0 Terminal G/F Screw G/F	
03 3 poles	Code 1 Terminal G/F Screw Zinc	
...	...	
32 32 poles	Code 2 Terminal Tin Screw G/F	
	Code 3 Terminal Tin Screw Zinc	

mat'l. code		surface ASME Y14.5 ✓	tolerance ASME Y14.5	projection	product family TERMINAL BLOCK		
ltr	ecn no	dr	date	tolerances unless otherwise specified	title		
				angles	TERMINAL BLOCK		
				X±1°	BARRIER TYPE		
				X.XX±0.1	scale		
		dr	EVAN LU	061614	dwg no	sheet 1 of 1	size
		enr	EVAN LU	061614	YK335xx0x0J0G	A4	
		chr	HANKE FENG	061614	type	CUSTOMER Drawing	
		appd	SHI JUN	061614			
sheet index	revision sheet	A	1				