



Chipsmall Limited consists of a professional team with an average of over 10 year of expertise in the distribution of electronic components. Based in Hongkong, we have already established firm and mutual-benefit business relationships with customers from,Europe,America and south Asia,supplying obsolete and hard-to-find components to meet their specific needs.

With the principle of “Quality Parts,Customers Priority,Honest Operation,and Considerate Service”,our business mainly focus on the distribution of electronic components. Line cards we deal with include Microchip,ALPS,ROHM,Xilinx,Pulse,ON,Everlight and Freescale. Main products comprise IC,Modules,Potentiometer,IC Socket,Relay,Connector.Our parts cover such applications as commercial,industrial, and automotives areas.

We are looking forward to setting up business relationship with you and hope to provide you with the best service and solution. Let us make a better world for our industry!



Contact us

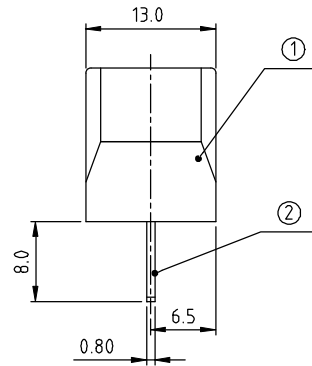
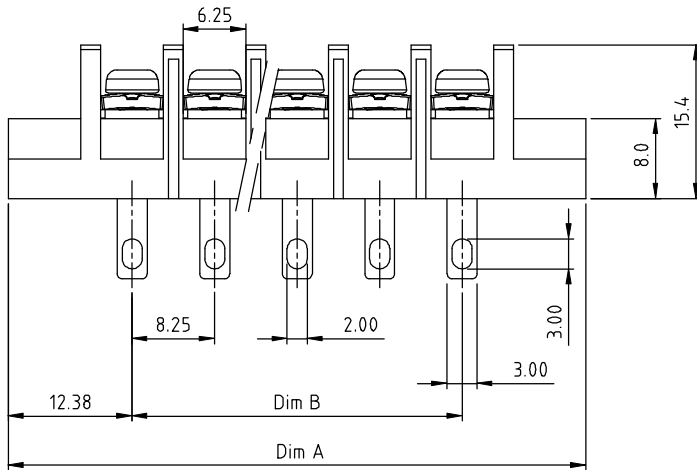
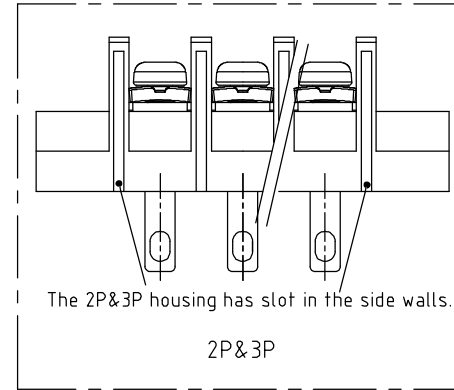
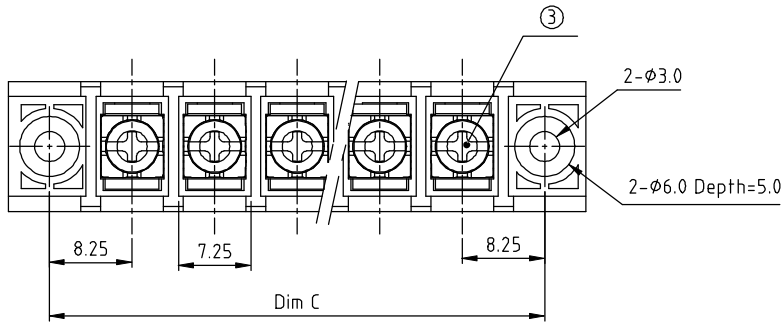
Tel: +86-755-8981 8866 Fax: +86-755-8427 6832

Email & Skype: info@chipsmall.com Web: www.chipsmall.com

Address: A1208, Overseas Decoration Building, #122 Zhenhua RD., Futian, Shenzhen, China



PRODUCT NUMBER	PITCH
YK403xx3x0J0G	8.25 mm



MATERIALS ELECTRICAL
 RATED VOLTAGE & CURRENT: 300 V, 20 A
 WITHSTAND VOLTAGE: AC 2000 V/Min
 INSULATION RESISTANCE: 1000 MΩ OR MORE AT DC 500 V
 OPERATING TEMPERATURE RANG: -40 °C ~ +115 °C
 SCREW TORQUE VALUE: 7 Lb-In.
 WIRE RANGE: 22 - 12 AWG
 1) HOUSING: Thermoplastic , UL 94 V-0 BLACK
 2) TERMINAL: BRASS, 0.8t
 3) TERMINAL SCREWS: STEEL, M3
 APPROVAL: us

DIMENSION

Dim A	(N+2)×8.25
Dim B	(N-1)×8.25
Dim C	(N+1)×8.25

N=Number of poles

Poles	Tolerance
2p-4p	±0.30
5p-8p	±0.40
9p-16p	±0.50
17p-23p	±0.60
24p-30p	±0.80

PART NO.: YK 403xx 3 x 0 JOG

No. of poles	Plated	Code	Terminal	Screw	RoHS compliant (lead<4%) In copper Alloy
02 2 poles		0	G/F	G/F	
03 3 poles		1	G/F	Zinc	
...		2	Tin	G/F	
30 30 poles		3	Tin	Zinc	

mat'l. code		surface ASME Y14.5 ✓		tolerance ASME Y14.5		projection		product family TERMINAL BLOCK	
ltr	ecn no	dr	date	tolerances unless otherwise specified				title	
				angles	X.±0.5			TERMINAL BLOCK	
				flat	X.X±0.3			BARRIER TYPE, WITH FLANGE	
				X'±1"	X.XX±0.1	scale		dwg no sheet 1 of 1 size	
		dr	EVAN LU	061014				YK403xx3x0J0G A4	
		enr	EVAN LU	061014				type CUSTOMER Drawing	
		chr	HANKE FENG	061014					
		appd	SHI JUN	061014					
sheet index	revision sheet	A	1						