



Chipsmall Limited consists of a professional team with an average of over 10 year of expertise in the distribution of electronic components. Based in Hongkong, we have already established firm and mutual-benefit business relationships with customers from,Europe,America and south Asia,supplying obsolete and hard-to-find components to meet their specific needs.

With the principle of “Quality Parts,Customers Priority,Honest Operation,and Considerate Service”,our business mainly focus on the distribution of electronic components. Line cards we deal with include Microchip,ALPS,ROHM,Xilinx,Pulse,ON,Everlight and Freescale. Main products comprise IC,Modules,Potentiometer,IC Socket,Relay,Connector.Our parts cover such applications as commercial,industrial, and automotives areas.

We are looking forward to setting up business relationship with you and hope to provide you with the best service and solution. Let us make a better world for our industry!



## Contact us

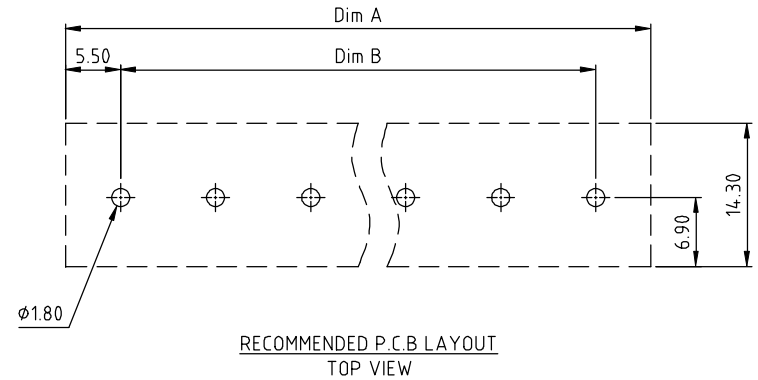
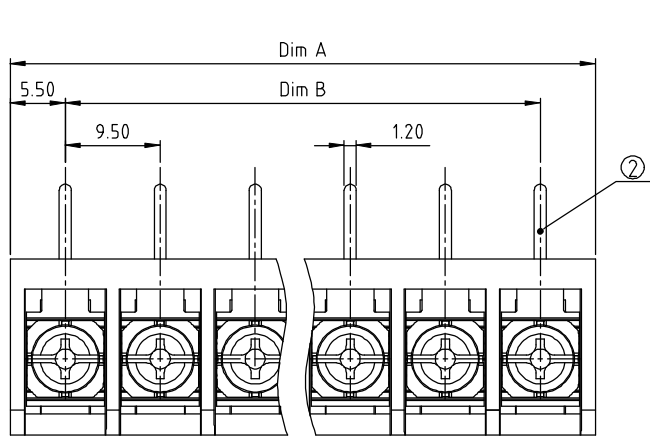
Tel: +86-755-8981 8866 Fax: +86-755-8427 6832

Email & Skype: info@chipsmall.com Web: www.chipsmall.com

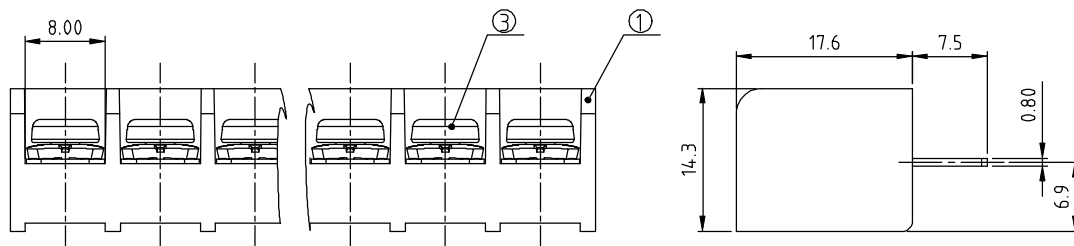
Address: A1208, Overseas Decoration Building, #122 Zhenhua RD., Futian, Shenzhen, China



PRODUCT NUMBER	PITCH
YK442xx0J0G	9.50 mm



MATERIALS ELECTRICAL cULus CQC  
 RATED VOLTAGE & CURRENT: 300 V, 30A / 300V 24A  
 WITHSTAND VOLTAGE: AC2500V/min  
 INSULATION RESISTANCE: 1000 M $\Omega$ OR MORE AT DC 500 V  
 OPERATING TEMPERATURE RANG: -40 °C ~ +115 °C  
 SCREW TORQUE VALUE: 10.54 Lb-In. / 0.8Nm  
 WIRE RANGE: 22 - 10 AWG / 22-14 AWG  
 1) MOLDED PARTS: Thermoplastic, UL 94 V-0 BLACK  
 2) TERMINAL: BRASS, 0.8t  
 3) TERMINAL SCREWS: STEEL, M3.5  
 APPROVAL:



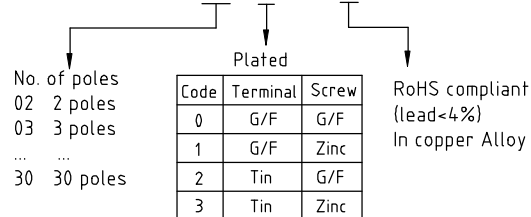
DIMENSION

Dim A	N $\times$ 9.5+1.5
Dim B	(N-1) $\times$ 9.5

N=Number of poles

Poles	Tolerance
2p-4p	$\pm 0.20$
5p-8p	$\pm 0.25$
9p-16p	$\pm 0.35$
17p-23p	$\pm 0.40$
24p-30p	$\pm 0.50$

PART NO.: YK 442xx 0 x 0 JOG



mat'l. code		surface ASME Y14.5	tolerance ASME Y14.5	projection	product family
ltr	ecn no	dr	date		TERMINAL BLOCK
tolerances unless otherwise specified				MM	title
angles	X $\pm$ 0.5				TERMINAL BLOCK
flat	X.X $\pm$ 0.3				BARRIER TYPE
X $\pm$ 1°	X.XX $\pm$ 0.1			scale	dwg no
dr	EVAN LU	061614			sheet 1 of 1
enr	EVAN LU	061614			size
chr	HANKE FENG	061614			YK442xx0x0J0G
appd	SHI JUN	061614			A4
sheet index	revision sheet	A	1		type
					CUSTOMER Drawing