



Chipsmall Limited consists of a professional team with an average of over 10 year of expertise in the distribution of electronic components. Based in Hongkong, we have already established firm and mutual-benefit business relationships with customers from,Europe,America and south Asia,supplying obsolete and hard-to-find components to meet their specific needs.

With the principle of “Quality Parts,Customers Priority,Honest Operation,and Considerate Service”,our business mainly focus on the distribution of electronic components. Line cards we deal with include Microchip,ALPS,ROHM,Xilinx,Pulse,ON,Everlight and Freescale. Main products comprise IC,Modules,Potentiometer,IC Socket,Relay,Connector.Our parts cover such applications as commercial,industrial, and automotives areas.

We are looking forward to setting up business relationship with you and hope to provide you with the best service and solution. Let us make a better world for our industry!



## Contact us

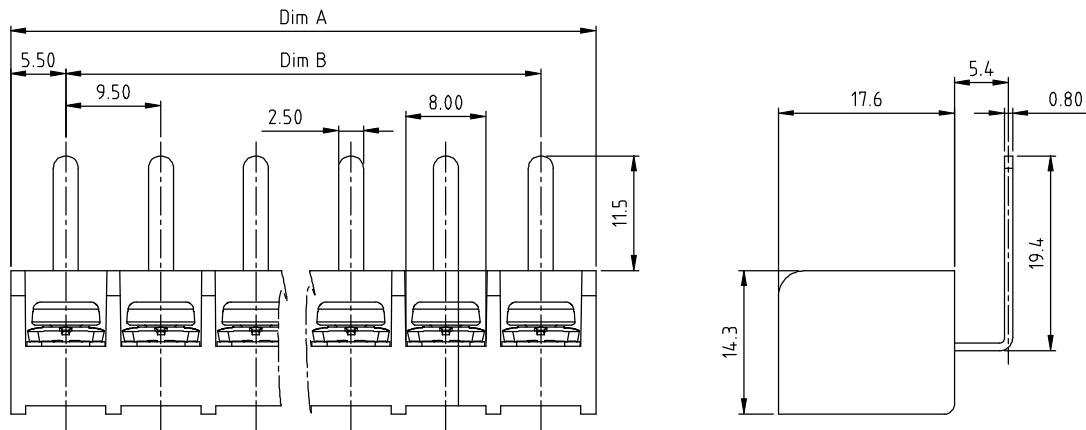
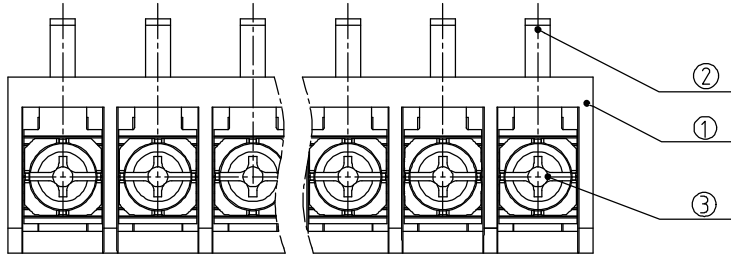
Tel: +86-755-8981 8866 Fax: +86-755-8427 6832

Email & Skype: info@chipsmall.com Web: www.chipsmall.com

Address: A1208, Overseas Decoration Building, #122 Zhenhua RD., Futian, Shenzhen, China



PRODUCT NUMBER	PITCH
YK444xx0x0JOG	9.50 mm



MATERIALS ELECTRICAL cULus CQC  
 RATED VOLTAGE & CURRENT: 300 V, 30A / 300V 24A  
 WITHSTAND VOLTAGE: AC2500V/min  
 INSULATION RESISTANCE: 1000 MΩ OR MORE AT DC 500 V  
 OPERATING TEMPERATURE RANG: -40 °C ~ +115 °C  
 SCREW TORQUE VALUE: 10.54 Lb-In. / 0.8Nm  
 WIRE RANGE: 22 - 10 AWG / 22-14 AWG  
 1) MOLDED PARTS: Thermoplastic, UL 94 V-0 BLACK  
 2) TERMINAL: BRASS, 0.8t  
 3) TERMINAL SCREWS: STEEL, M3.5  
 APPROVAL:

DIMENSION

Dim A	N×9.5+1.5
Dim B	(N-1)×9.5

N=Number of poles

Poles	Tolerance
2p-4p	±0.20
5p-8p	±0.25
9p-16p	±0.35
17p-23p	±0.40
24p-30p	±0.50

PART NO.: YK 444xx 0 x 0 JOG

No. of poles  
 02 2 poles  
 03 3 poles  
 ... ..  
 30 30 poles

Plated		
Code	Terminal	Screw
0	G/F	G/F
1	G/F	Zinc
2	Tin	G/F
3	Tin	Zinc

RoHS compliant  
 (lead<4%)  
 In copper Alloy

mat'l. code				surface	tolerance	projection	product family	
ltr ecn no dr date				ASME Y14.5	ASME Y14.5		TERMINAL BLOCK	
				tolerances unless otherwise specified		MM	title	
				angles	X.±0.5		TERMINAL BLOCK	
				flat	X.X±0.3		BARRIER TYPE	
				X'±1'	X.XX±0.1	scale	sheet 1 of 1 size	
				dr	EVAN LU	061614	A4	
				enr	EVAN LU	061614	YK444xx0x0JOG	
				chr	HANKE FENG	061614	CUSTOMER Drawing	
				appd	SHI JUN	061614	type	
sheet index	revision sheet	A	1					