



Chipsmall Limited consists of a professional team with an average of over 10 year of expertise in the distribution of electronic components. Based in Hongkong, we have already established firm and mutual-benefit business relationships with customers from,Europe,America and south Asia,supplying obsolete and hard-to-find components to meet their specific needs.

With the principle of "Quality Parts,Customers Priority,Honest Operation,and Considerate Service",our business mainly focus on the distribution of electronic components. Line cards we deal with include Microchip,ALPS,ROHM,Xilinx,Pulse,ON,Everlight and Freescale. Main products comprise IC,Modules,Potentiometer,IC Socket,Relay,Connector.Our parts cover such applications as commercial,industrial, and automotives areas.

We are looking forward to setting up business relationship with you and hope to provide you with the best service and solution. Let us make a better world for our industry!



Contact us

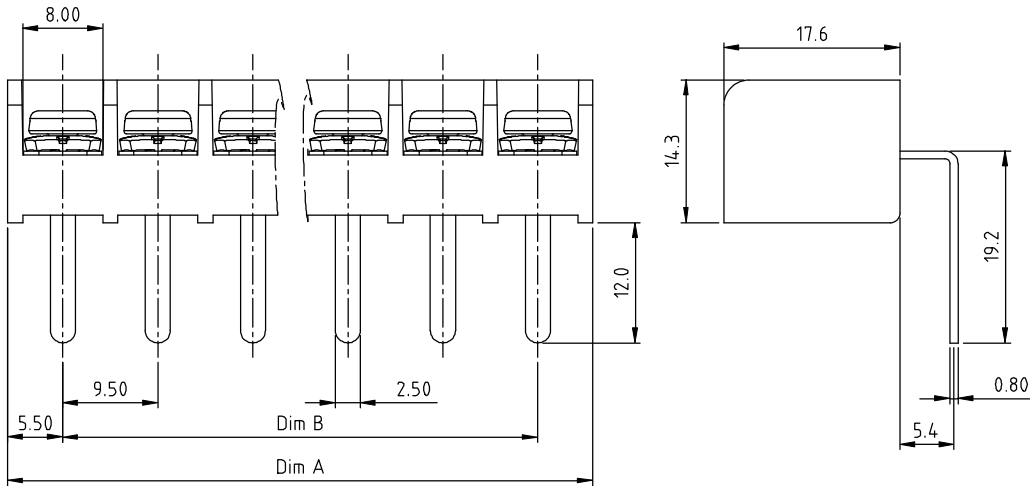
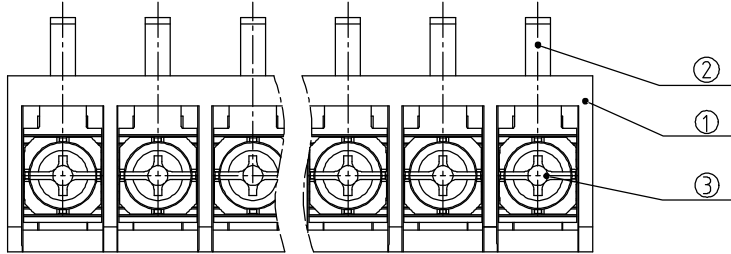
Tel: +86-755-8981 8866 Fax: +86-755-8427 6832

Email & Skype: info@chipsmall.com Web: www.chipsmall.com

Address: A1208, Overseas Decoration Building, #122 Zhenhua RD., Futian, Shenzhen, China



PRODUCT NUMBER	PITCH
YK445xx0x0JOG	9.50 mm



MATERIALS ELECTRICAL	cULus	CQC
RATED VOLTAGE & CURRENT:	300 V, 30A	/ 300V 24A
WITHSTAND VOLTAGE:	AC2500V/min	
INSULATION RESISTANCE:	1000 MΩ OR MORE AT DC 500 V	
OPERATING TEMPERATURE RANG:	-40 °C ~ +115 °C	
SCREW TORQUE VALUE:	10.54 Lb-In.	/ 0.8Nm
WIRE RANGE:	22 - 10 AWG / 22-14 AWG	
1) MOLDED PARTS:	Thermoplastic, UL 94 V-0 BLACK	
2) TERMINAL:	BRASS, 0.8t	
3) TERMINAL SCREWS:	STEEL, M3.5	
APPROVAL:		

DIMENSION

Dim A	N×9.5±1.5
Dim B	(N-1)×9.5

N=Number of poles

Poles	Tolerance
2p-4p	±0.20
5p-8p	±0.25
9p-16p	±0.35
17p-23p	±0.40
24p-30p	±0.50

PART NO.: YK 445xx 0 x 0 JOG

No. of poles	Plated	RoHS compliant (lead<4%) In copper Alloy
02 2 poles		
03 3 poles		
...		
30 30 poles		

Code	Terminal	Screw
0	G/F	G/F
1	G/F	Zinc
2	Tin	G/F
3	Tin	Zinc

mat'l. code				surface ASME Y14.5 ✓		tolerance ASME Y14.5		projection 		product family TERMINAL BLOCK	
ltr	ecn no	dr	date	tolerances unless otherwise specified				MM		title TERMINAL BLOCK	
				angles	X.±0.5		scale		BARRIER TYPE		
				flat	X.X±0.3				dwg no		
				X'±1"	X.XX±0.1				sheet 1 of 1 size		
				dr	EVAN LU	061614			A4		
				enr	EVAN LU	061614			YK445xx0x0JOG		
				chr	HANKE FENG	061614			CUSTOMER Drawing		
				appd	SHI JUN	061614					
sheet index	revision sheet	A	1								