



Chipsmall Limited consists of a professional team with an average of over 10 year of expertise in the distribution of electronic components. Based in Hongkong, we have already established firm and mutual-benefit business relationships with customers from,Europe,America and south Asia,supplying obsolete and hard-to-find components to meet their specific needs.

With the principle of “Quality Parts,Customers Priority,Honest Operation,and Considerate Service”,our business mainly focus on the distribution of electronic components. Line cards we deal with include Microchip,ALPS,ROHM,Xilinx,Pulse,ON,Everlight and Freescale. Main products comprise IC,Modules,Potentiometer,IC Socket,Relay,Connector.Our parts cover such applications as commercial,industrial, and automotives areas.

We are looking forward to setting up business relationship with you and hope to provide you with the best service and solution. Let us make a better world for our industry!



Contact us

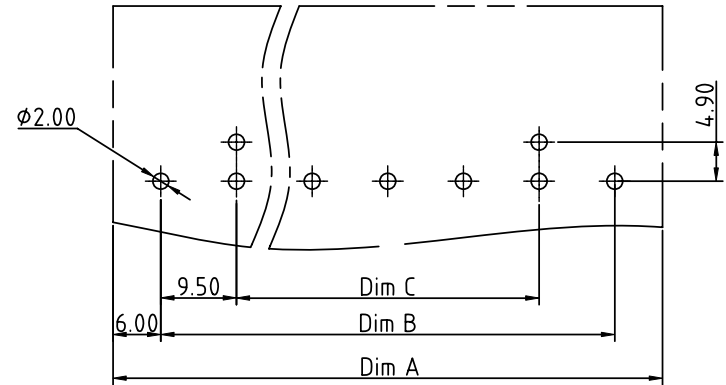
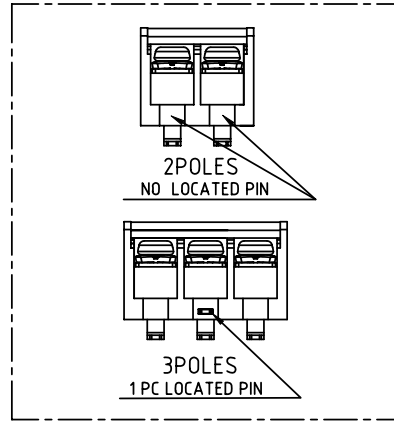
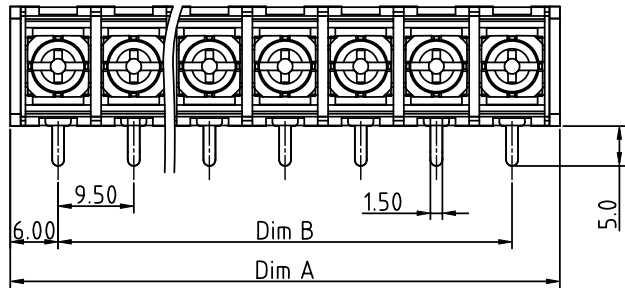
Tel: +86-755-8981 8866 Fax: +86-755-8427 6832

Email & Skype: info@chipsmall.com Web: www.chipsmall.com

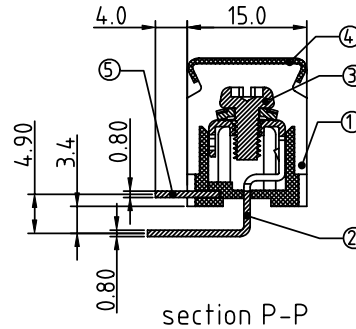
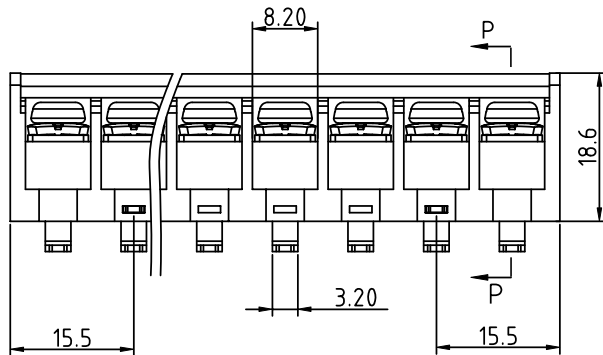
Address: A1208, Overseas Decoration Building, #122 Zhenhua RD., Futian, Shenzhen, China



PRODUCT NUMBER	PITCH
YK50Axx2x0J0G	9.50 mm



RECOMMENDED P.C.B LAYOUT
TOP VIEW



MATERIALS & ELECTRICAL
 RATED VOLTAGE & CURRENT: 300 V, 30 A
 WITHSTAND VOLTAGE: AC 2000 V/Min
 INSULATION RESISTANCE: 1000 M Ω OR MORE AT DC 500 V
 OPERATING TEMPERATURE RANG: -40 °C ~ +115 °C
 SCREW TORQUE VALUE: 7.0Lb-In
 WIRE RANGE: 22 - 10AWG
 1) HOUSING: Thermoplastic, UL 94 V-0 BLACK
 2) TERMINAL: BRASS, 0.8t
 3) TERMINAL SCREWS: STEEL, M3.5
 4) COVER MATERIAL: PC
 5) LOCATED PIN : BRASS, 0.8t,
 APPROVAL: us

DIMENSION

Dim A	Nx9.5+2.5
Dim B	(N-1)x9.5

N=Number of poles

Poles	Tolerance
2p-4p	± 0.20
5p-10p	± 0.30
11p-18p	± 0.40

PART NO.: YK 50Axx 2 x 0 J0G

No. of poles
 02 2 poles
 03 3 poles

 18 18 poles

Code	Terminal	Screw	LOCATED PIN
0	G/F	G/F	G/F
1	G/F	Zinc	G/F
2	Tin	G/F	Tin
3	Tin	Zinc	Tin

Plated
 RoHS compliant
 (lead<4%)
 In copper Alloy

mat'l. code		surface ASME Y14.5	tolerance ASME Y14.5	projection 	product family TERMINAL BLOCK
ltr	ecn no	dr	date	tolerances unless otherwise specified	title TERMINAL BLOCK
				angles ϕ X ± 0.5 X.X ± 0.3 X*1*	BARRIER TYPE, WITH COVER
				scale	MM
dr	EVAN LU	061014		scale	dwg no YK50Axx2x0J0G
enr	EVAN LU	061014		scale	sheet 1 of 1 size A4
chr	HANKE FENG	061014		scale	type CUSTOMER Drawing
appd	SHI JUN	061014		scale	
sheet index	revision sheet	A	1		