



Chipsmall Limited consists of a professional team with an average of over 10 year of expertise in the distribution of electronic components. Based in Hongkong, we have already established firm and mutual-benefit business relationships with customers from,Europe,America and south Asia,supplying obsolete and hard-to-find components to meet their specific needs.

With the principle of “Quality Parts,Customers Priority,Honest Operation,and Considerate Service”,our business mainly focus on the distribution of electronic components. Line cards we deal with include Microchip,ALPS,ROHM,Xilinx,Pulse,ON,Everlight and Freescale. Main products comprise IC,Modules,Potentiometer,IC Socket,Relay,Connector.Our parts cover such applications as commercial,industrial, and automotives areas.

We are looking forward to setting up business relationship with you and hope to provide you with the best service and solution. Let us make a better world for our industry!



Contact us

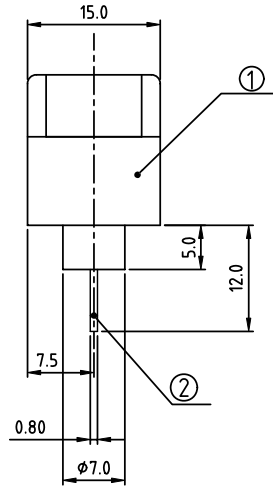
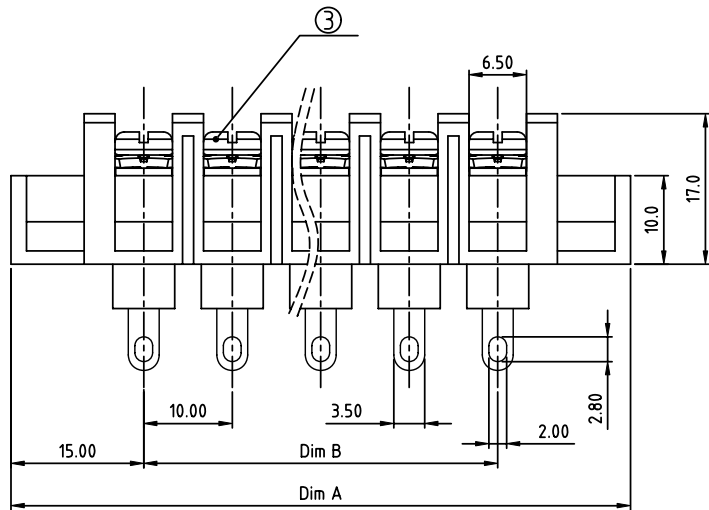
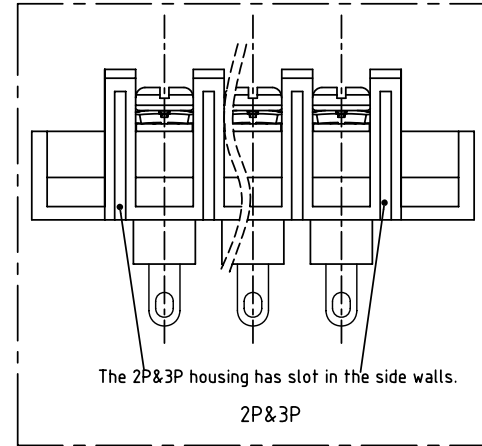
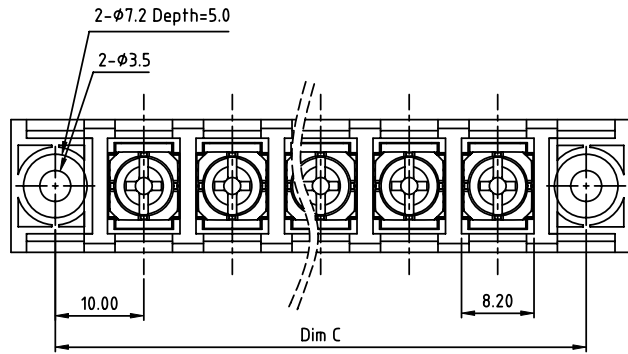
Tel: +86-755-8981 8866 Fax: +86-755-8427 6832

Email & Skype: info@chipsmall.com Web: www.chipsmall.com

Address: A1208, Overseas Decoration Building, #122 Zhenhua RD., Futian, Shenzhen, China



PRODUCT NUMBER	PITCH
YK606xx3x0JOG	10.00 mm



MATERIALS & ELECTRICAL
RATED VOLTAGE & CURRENT: 300 V, 20 A
WITHSTAND VOLTAGE: AC 2000 V/Min
INSULATION RESISTANCE: 1000 MΩ OR MORE AT DC 500 V
OPERATING TEMPERATURE RANG: -40 °C ~ +115 °C
SCREW TORQUE VALUE: 12 Lb-In.
WIRE RANGE: 22 - 12AWG
1) HOUSING: THERMOPLASTIC, UL 94 V-0 BLACK
2) TERMINAL: BRASS, 0.8t
3) TERMINAL SCREWS: STEEL, M3.5
APPROVAL:

DIMENSION

Dim A	(N+2)×10.0
Dim C	(N+1)×10.0
Dim B	(N-1)×10.0

N=Number of poles

Poles	Tolerance
2p-4p	±0.20
5p-10p	±0.30
11p-24p	±0.40
25p-30p	±0.50

PART NO.: YK 606xx 3 x 0 JOG

No. of poles
 02 2 poles
 03 3 poles

 30 30 poles

Plated		
Code	Terminal	Screw
0	G/F	G/F
1	G/F	Zinc
2	Tin	G/F
3	Tin	Zinc

RoHS compliant
 (lead<4%)
 In copper Alloy

mat'l. code	surface ASME Y14.5 ✓	tolerance ASME Y14.5	projection 	product family TERMINAL BLOCK
ltr	ecn	no	dr	date
tolerances unless otherwise specified			MM	title TERMINAL BLOCK
angles	φ	X.±0.5	scale	BARRIER TYPE, WITH FLANGE
X°±1'	±	X.XX±0.1		dwg no YK606xx3x0JOG
dr	EVAN LU	061414		sheet 1 of 1
enr	EVAN LU	061414		size A4
chr	HANKE FENG	061414		type CUSTOMER Drawing
appd	SHI JUN	061414		
sheet index	revision	A		
	sheet	1		