



Chipsmall Limited consists of a professional team with an average of over 10 year of expertise in the distribution of electronic components. Based in Hongkong, we have already established firm and mutual-benefit business relationships with customers from,Europe,America and south Asia,supplying obsolete and hard-to-find components to meet their specific needs.

With the principle of "Quality Parts,Customers Priority,Honest Operation,and Considerate Service",our business mainly focus on the distribution of electronic components. Line cards we deal with include Microchip,ALPS,ROHM,Xilinx,Pulse,ON,Everlight and Freescale. Main products comprise IC,Modules,Potentiometer,IC Socket,Relay,Connector.Our parts cover such applications as commercial,industrial, and automotives areas.

We are looking forward to setting up business relationship with you and hope to provide you with the best service and solution. Let us make a better world for our industry!



Contact us

Tel: +86-755-8981 8866 Fax: +86-755-8427 6832

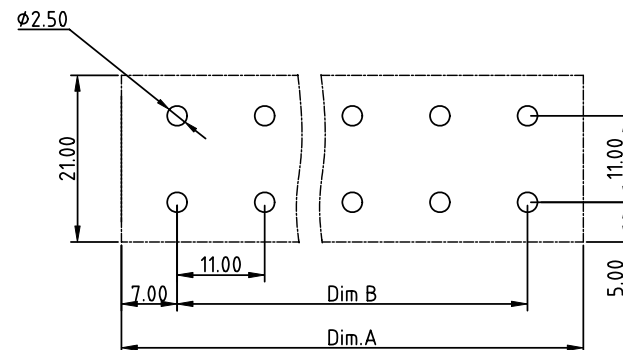
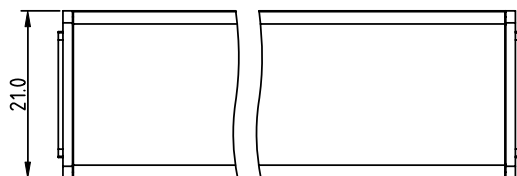
Email & Skype: info@chipsmall.com Web: www.chipsmall.com

Address: A1208, Overseas Decoration Building, #122 Zhenhua RD., Futian, Shenzhen, China

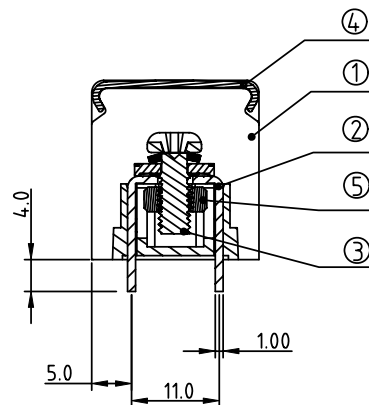
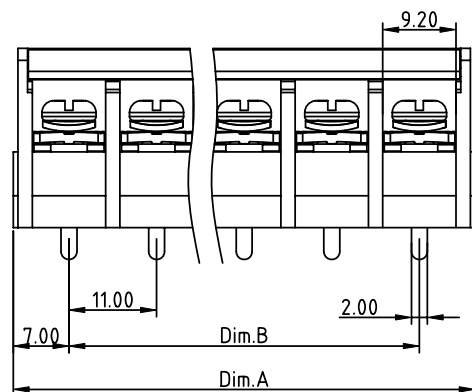
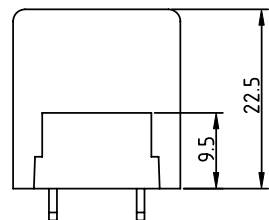




PRODUCT NUMBER	PITCH
YK70Axx2x0J0G	11.00mm



RECOMMENDED P.C.B LAYOUT
TOP VIEW



MATERIALS & ELECTRICAL
RATED VOLTAGE & CURRENT: 300 V, 40A(B Code)/ 600V, 5A(D Code)
WITHSTAND VOLTAGE: AC 2500 V/Min
INSULATION RESISTANCE: 1000 MΩ OR MORE AT DC 1000 V
OPERATING TEMPERATURE RANG: -40 °C ~ +115°C
SCREW TORQUE VALUE: 16Lb-In.
WIRE RANGE: 18 - 8AWG
1) HOUSING: THERMOPLASTICS, UL94-V0 BLACK
2) TERMINAL: BRASS, 1.0t
3) TERMINAL SCREWS: STEEL, M4.0
4) COVER: PC
5) TERMINAL NUT: STEEL, M4.0
APPROVAL: US

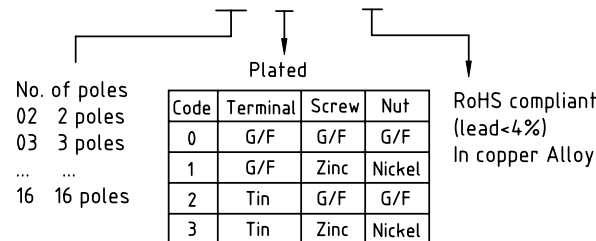
DIMENSION

Dim A	N×11.00±3.0
Dim B	(N-1)×11.0

N=Number of poles

Poles	Tolerance
2p-8p	±0.40
9p-16p	±0.50

PART NO.: YK 70Axx 2 x 0 JOG



mat'l. code		surface ASME Y14.5 ✓	tolerance ASME Y14.5	projection 	product family TERMINAL BLOCK	
ltr	ecn no	dr	date	tolerances unless otherwise specified		title TERMINAL BLOCK
				angles 	X.±0.5	BARRIER TYPE, WITH COVER
				parallel 	X.X±0.3	
				perpendicular 	X.XX±0.1	scale
				dr	EVAN LU 061114	dwg no
				enr	EVAN LU 061114	sheet 1 of 1
				chr	HANKE FENG 061114	size
				appd	SHI JUN 061114	YK70Axx2x0J0G
						A4
sheet index	revision	A		type		CUSTOMER Drawing
	sheet	1				