



Chipsmall Limited consists of a professional team with an average of over 10 year of expertise in the distribution of electronic components. Based in Hongkong, we have already established firm and mutual-benefit business relationships with customers from,Europe,America and south Asia,supplying obsolete and hard-to-find components to meet their specific needs.

With the principle of “Quality Parts,Customers Priority,Honest Operation,and Considerate Service”,our business mainly focus on the distribution of electronic components. Line cards we deal with include Microchip,ALPS,ROHM,Xilinx,Pulse,ON,Everlight and Freescale. Main products comprise IC,Modules,Potentiometer,IC Socket,Relay,Connector.Our parts cover such applications as commercial,industrial, and automotives areas.

We are looking forward to setting up business relationship with you and hope to provide you with the best service and solution. Let us make a better world for our industry!



Contact us

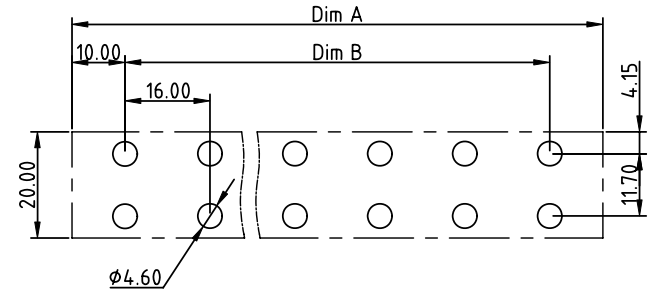
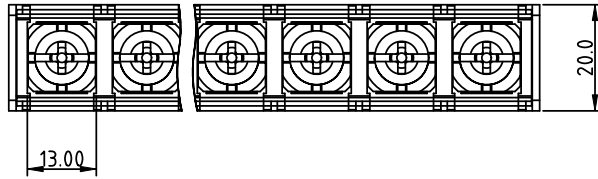
Tel: +86-755-8981 8866 Fax: +86-755-8427 6832

Email & Skype: info@chipsmall.com Web: www.chipsmall.com

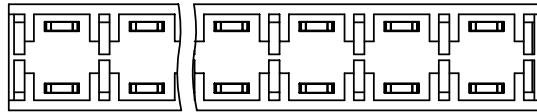
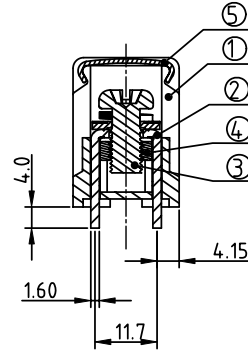
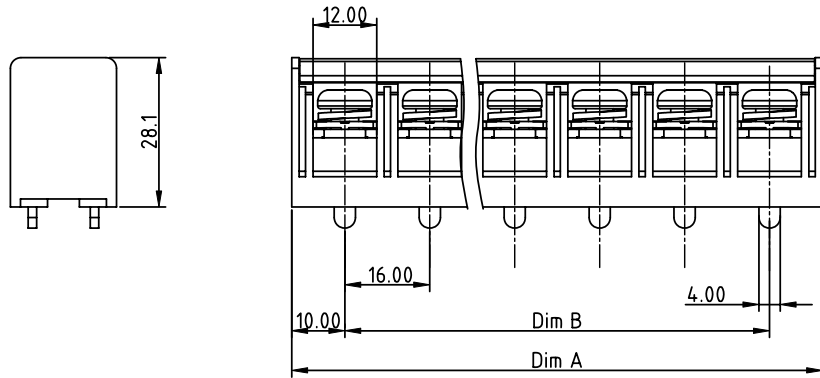
Address: A1208, Overseas Decoration Building, #122 Zhenhua RD., Futian, Shenzhen, China



PRODUCT NUMBER	PITCH
YK901xx2x0JOG	16.00mm



RECOMMENDED P.C.B LAYOUT
TOP VIEW



- MATERIALS & ELECTRICAL**
- RATED VOLTAGE & CURRENT: 600 V, 65A
 - WITHSTAND VOLTAGE: AC 3000 V/Min
 - INSULATION RESISTANCE: 1000 M Ω OR MORE AT DC 500 V
 - OPERATING TEMPERATURE RANG: -40 °C ~ +115°C
 - SCREW TORQUE VALUE: 26 Lb-In.
 - WIRE RANGE: 10 - 6 AWG
 - 1) HOUSING: THERMOPLASTICS, UL94-V0 BLACK
 - 2) TERMINAL: BRASS, 1.6t
 - 3) TERMINAL SCREWS WITH WASHER: STEEL, M6.0
 - 4) TERMINAL NUT: STEEL, M6.0, NICKEL PLATED
 - 5) COVER: PC
- APPROVAL: US

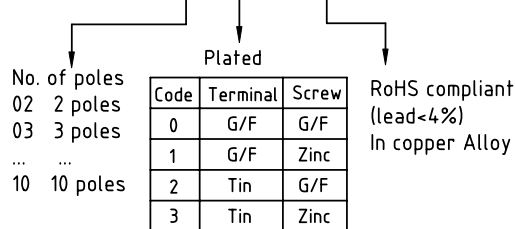
DIMENSION

Dim A	$N \times 16.0 + 4.0$
Dim B	$(N-1) \times 16.0$

N=Number of poles

Poles	Tolerance
2p-6p	± 0.40
7p-10p	± 0.50

PART NO.: YK 901xx 2 x 0 JOG



mat'l. code		surface ASME Y14.5	tolerance ASME Y14.5	projection 	product family TERMINAL BLOCK
ltr	ecn no	dr	date	tolerances unless otherwise specified	title TERMINAL BLOCK
				angles $X \pm 1^\circ$	BARRIER TYPE, WITH COVER
				scale	MM
		dr	EVAN LU	061114	dwg no
		enr	EVAN LU	061114	sheet 1 of 1
		chr	HANKE FENG	061114	size A4
		appd	SHI JUN	061114	YK901xx2x0JOG
					type CUSTOMER Drawing
sheet index	revision	A			
	sheet	1			