



Chipsmall Limited consists of a professional team with an average of over 10 year of expertise in the distribution of electronic components. Based in Hongkong, we have already established firm and mutual-benefit business relationships with customers from,Europe,America and south Asia,supplying obsolete and hard-to-find components to meet their specific needs.

With the principle of “Quality Parts,Customers Priority,Honest Operation,and Considerate Service”,our business mainly focus on the distribution of electronic components. Line cards we deal with include Microchip,ALPS,ROHM,Xilinx,Pulse,ON,Everlight and Freescale. Main products comprise IC,Modules,Potentiometer,IC Socket,Relay,Connector.Our parts cover such applications as commercial,industrial, and automotives areas.

We are looking forward to setting up business relationship with you and hope to provide you with the best service and solution. Let us make a better world for our industry!



Contact us

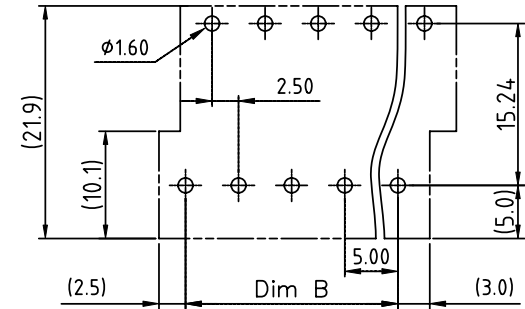
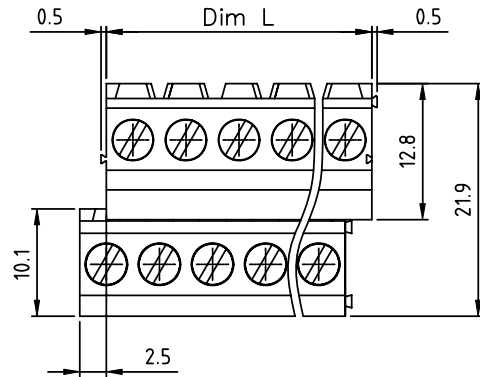
Tel: +86-755-8981 8866 Fax: +86-755-8427 6832

Email & Skype: info@chipsmall.com Web: www.chipsmall.com

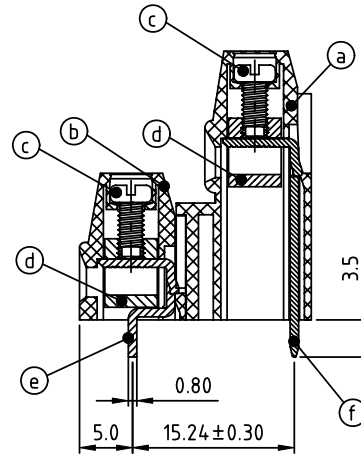
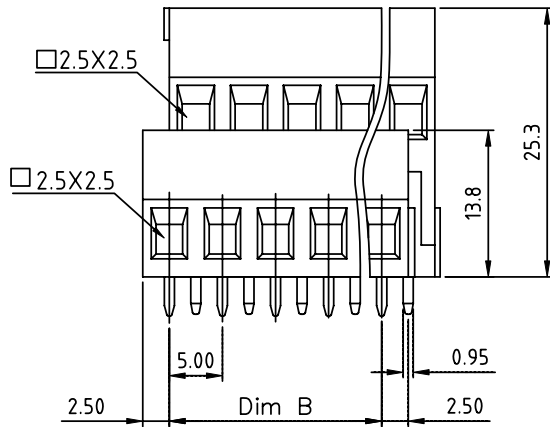
Address: A1208, Overseas Decoration Building, #122 Zhenhua RD., Futian, Shenzhen, China



PRODUCT NUMBER	PITCH
YLxx01x000J0G	5.00 mm



RECOMMENDED P.C.B LAYOUT
TOP VIEW



Material:

- Item (a) Terminal housing :Thermoplastic (UL 94V-0) (YE5.0)
- Item (b) Terminal housing :Thermoplastic (UL 94V-0) (YD5.0)
- Item (c) Terminal screw: Steel Zinc plating"-slot type
- Item (d) Clamp: Brass, Ni plated
- Item (e) Solder pin1: Brass, Tin plated (YD)
- Item (f) Solder pin2: Brass, Tin plated (YE)

Electrical cULus

- Voltage rating: 300VAC
- Current rating: 20A
- Wire range:
- Solid wire(AWG): 12-22
- Stranded wire(AWG): 12-22
- Torque(Lb-In): 3.5
- Screw: M2.5
- Wire strip length: 6-7mm
- Withstanding Voltage: 1.6KV
- Operating temperature: -40°C to +115°C
- Soldering temperature: 260°C±5°C/5 Sec
- Safety Approval:

DIMENSION

Dim L	N/2x5.0
Dim B	(N/2-1)x5.0

N=Number of poles

Poles	Tolerance
2x2p~2x6p	±0.20
2x7p~2x12p	±0.30
2x13p~2x18p	±0.35
2x19p~2x24p	±0.40

PART NO.: YL xx 0 1 x 0 00J0 G

	Color	RoHS compliant
End stackable	0 Black (RAL9005)	(lead<4%)
No. of poles	2 Red (RAL3001/D)	In copper Alloy
04 2x2 poles	3 Orange(RAL2011/P)	
06 2x3 poles	4 Yellow(RAL1018/A)	
...	5 Green(RAL6018/T)	
48 2x24 poles	6 Blue (RAL5015/A)	
	8 Grey(RAL7035/D)	
	9 White(RAL1102)	
	C Green(RAL6018/U)	

mat'l. code	surface ASME Y14.5	tolerance ASME Y14.5	projection	product family
ltr	ecn	no	dr	date
tolerances unless otherwise specified				TERMINAL BLOCK
angles	0.1	X.±0.5	MM	title
0.1	X.X±0.3	TERMINAL BLOCK		
X*±1*	X.XX±0.1	scale		RISING CLAMP,180D WIRE INLET,END STACKABLE,LEFT TYPE
dr	EVIN ZHONG	041014	FCI	dwg no
enrg	EVIN ZHONG	041014		sheet 1 of 1
chr	HANKE FENG	041014		size
appd	SHI JUN	041014		YLxx01x000J0G
				A4
				type
				CUSTOMER Drawing
sheet index	revision	A		
	sheet	1		