



Chipsmall Limited consists of a professional team with an average of over 10 year of expertise in the distribution of electronic components. Based in Hongkong, we have already established firm and mutual-benefit business relationships with customers from,Europe,America and south Asia,supplying obsolete and hard-to-find components to meet their specific needs.

With the principle of “Quality Parts,Customers Priority,Honest Operation,and Considerate Service”,our business mainly focus on the distribution of electronic components. Line cards we deal with include Microchip,ALPS,ROHM,Xilinx,Pulse,ON,Everlight and Freescale. Main products comprise IC,Modules,Potentiometer,IC Socket,Relay,Connector.Our parts cover such applications as commercial,industrial, and automotives areas.

We are looking forward to setting up business relationship with you and hope to provide you with the best service and solution. Let us make a better world for our industry!



Contact us

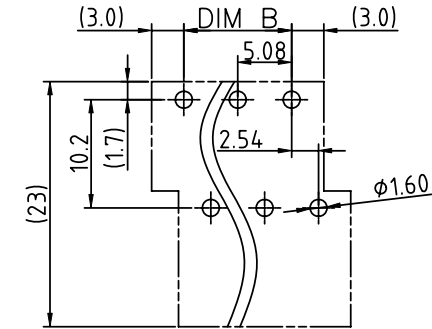
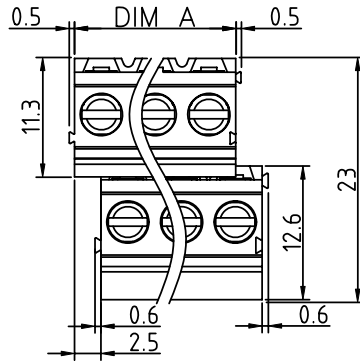
Tel: +86-755-8981 8866 Fax: +86-755-8427 6832

Email & Skype: info@chipsmall.com Web: www.chipsmall.com

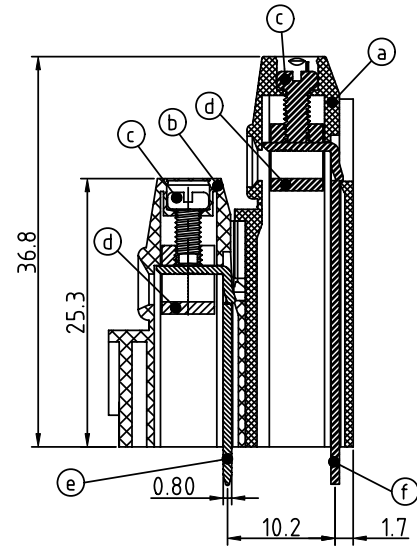
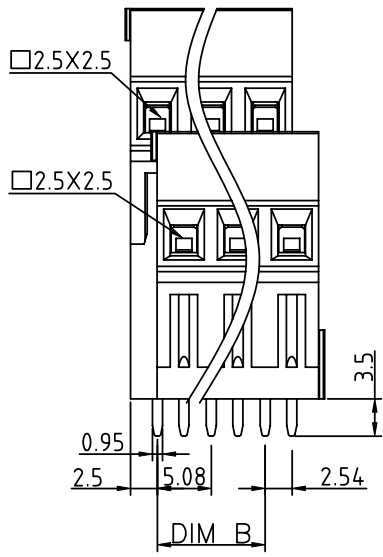
Address: A1208, Overseas Decoration Building, #122 Zhenhua RD., Futian, Shenzhen, China



PRODUCT NUMBER	PITCH
YMxx61x000J0G	5.08 mm



RECOMMENDED P.C.B LAYOUT
TOP VIEW



Material:

- Item a Terminal housing :Thermoplastic (UL 94V-0) (YF5.08)
- Item b Terminal housing :Thermoplastic (UL 94V-0) (YE5.08)
- Item c Terminal screw: Steel Zinc plating"-slot type
- Item d Clamp: Brass, Ni plated
- Item e Solder pin1: Brass, Tin plated (YE)
- Item f Solder pin2: Brass, Tin plated (YF)

Electrical cULus

- Voltage rating: 300VAC
- Current rating: 10A
- Wire range:
- Solid wire(AWG): 12-24
- Stranded wire(AWG): 12-24
- Torque(Lb-In): 3.5
- Screw: M2.5
- Wire strip length: 6-7mm
- Withstanding Voltage: 1.6KV
- Operating temperature: -40°C to +115°C
- Soldering temperature: 260°C±5°C/5 Sec
- Safety Approval: cULus

DIMENSION

Dim A	N/2x5.08
Dim B	(N/2-1)x5.08

N=Number of poles

Poles	Tolerance
2x2p~2x6p	±0.15
2x7p~2x12p	±0.25
2x13p~2x18p	±0.35
2x19p~2x24p	±0.40

PART NO.: YM xx 6 1 x 0 00J0 G

End stackable	0	Color	Black (RAL9005)	RoHS compliant	(lead<4%)
No. of poles	2		Red (RAL3001/D)	In copper Alloy	
	04		Orange(RAL2011/P)		
	06		Yellow(RAL1018/A)		
	...		Green(RAL6018/T)		
	48		Blue (RAL5015/A)		
			8 Grey(RAL7035/D)		
			9 White(RAL1102)		
			C Green(RAL6018/U)		

mat'l. code		surface	tolerance	projection	product family
		ASME Y14.5	ASME Y14.5		TERMINAL BLOCK
ltr		tolerances unless otherwise specified		title	
ecn	no	dr	date	TERMINAL BLOCK	
				RISING CLAMP,180D WIRE INLET,END STACKABLE,RIGHT TYPE	
		angles	X.±0.5	MM	dwg no
		flat	X.X±0.3		sheet 1 of 1 size
		X'±1'	X.XX±0.1	scale	YMxx61x000J0G
		dr	EVIN ZHONG 041114	FCI	
		enrg	EVIN ZHONG 041114	type	
		chr	HANKE FENG 041114	CUSTOMER Drawing	
		appd	SHI JUN 041114		
sheet index	revision sheet	A	1		