



Chipsmall Limited consists of a professional team with an average of over 10 year of expertise in the distribution of electronic components. Based in Hongkong, we have already established firm and mutual-benefit business relationships with customers from,Europe,America and south Asia,supplying obsolete and hard-to-find components to meet their specific needs.

With the principle of "Quality Parts,Customers Priority,Honest Operation,and Considerate Service",our business mainly focus on the distribution of electronic components. Line cards we deal with include Microchip,ALPS,ROHM,Xilinx,Pulse,ON,Everlight and Freescale. Main products comprise IC,Modules,Potentiometer,IC Socket,Relay,Connector.Our parts cover such applications as commercial,industrial, and automotives areas.

We are looking forward to setting up business relationship with you and hope to provide you with the best service and solution. Let us make a better world for our industry!



Contact us

Tel: +86-755-8981 8866 Fax: +86-755-8427 6832

Email & Skype: info@chipsmall.com Web: www.chipsmall.com

Address: A1208, Overseas Decoration Building, #122 Zhenhua RD., Futian, Shenzhen, China



PRODUCT NUMBER
20020327-XXXXXXLF

20020327-□ □ □ □ □ 0 □ L F

PITCH
C: 3.50 mm
D: 3.81 mm

POLES
02: 2 POLES
03: 3 POLES
04: 4 POLES
24: 24 POLES

LF : DENOTED RoHS COMPATIBLE

1 : STANDARD PRODUCT
W/ BOX PACKING

SCREW CODE

CODE	SCREW TYPE	AVAILABILITY
A	-/+	ON REQUEST ONLY
B	-	STANDARD

PROPERTY TABLE			
FCI SERIES NAME		26-350	26-381
PITCH (mm)		3.50	3.81
VOLTAGE RATING (VAC)		300	300
CURRENT RATING (A)		10	10
APPLICABLE WIRE RANGE (AWG)	1-WIRE	16~24	16~24
	2-WIRE	20	20
WIRE CROSS SECTION (mm ²)	SOLID	1-WIRE	1.5
		2-WIRE	0.5
	STRANDED	1-WIRE	1.0
		2-WIRE	0.2
OPENING CONTACT HOUSING(mm ²)		1.6x1.6	1.6x1.6
WIRE STRIP LENGTH(mm)		5~6	5~6
TORQUE +/-10% (N-m/Lb-in)		0.19/1.7	0.19/1.7
SCREW		M2x0.4	M2x0.4
WITHSTANDING VOLTAGE (kV)		1.6	1.6
OPERATING TEMP. (°C)		-40~+115	-40~+115
SOLDERING TEMP. (°C)		250±10 (5 sec.)	250±10 (5 sec.)
POLES AVAILABLE		02~24	02~24
SAFETY CERTIFICATE			

HOUSING CODE

CODE	COLOR	AVAILABILITY
1	GREEN(RAL 6018/T)	STANDARD
2	BLACK	ON REQUEST ONLY
3	GREY(RAL 7004/P)	ON REQUEST ONLY
4	BLUE(RAL 5015/A)	ON REQUEST ONLY

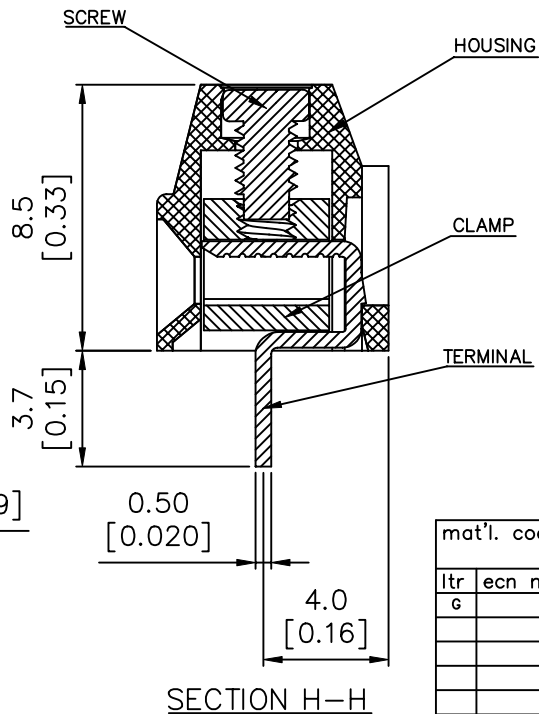
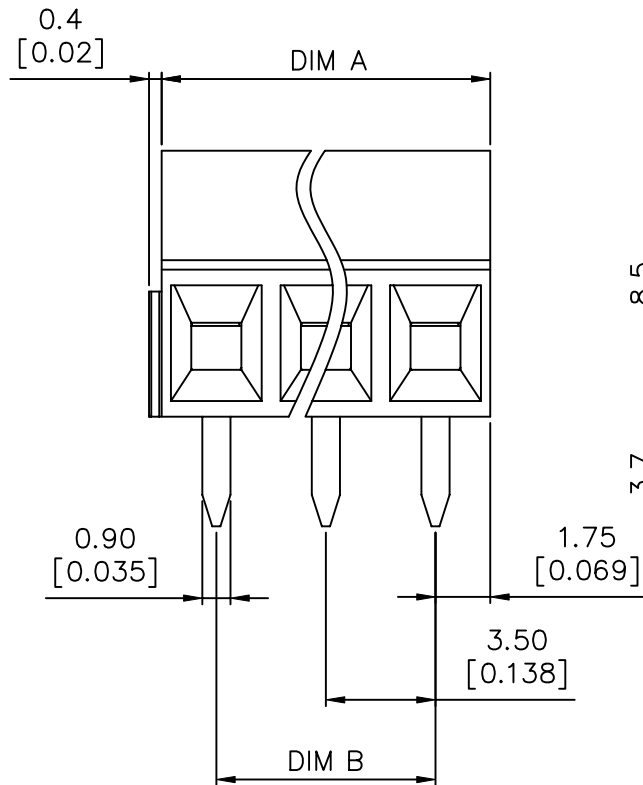
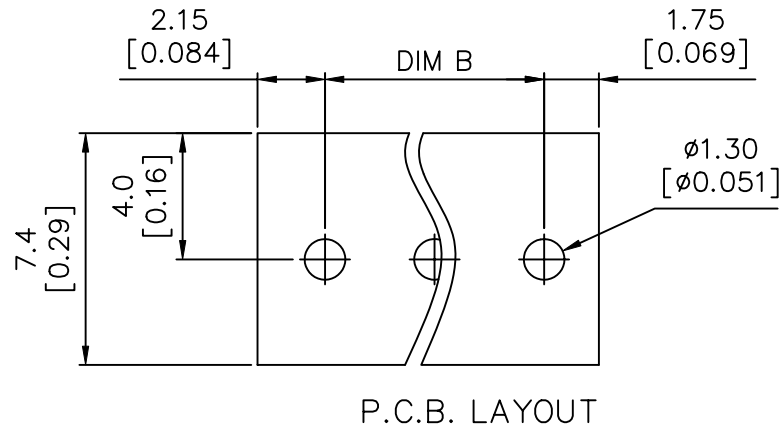
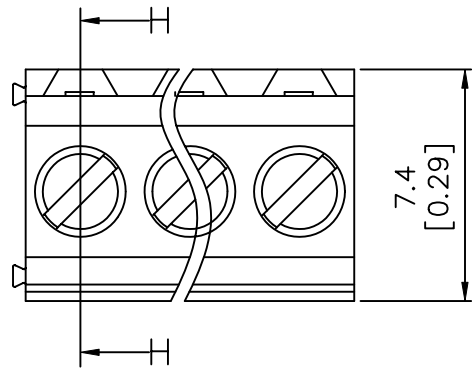
NOTES:

- MATERIALS**
 1-1 HOUSING: THERMALPLASTIC RESIN, UL 94V-0 RATED.
 1-2 SCREW: STEEL, ZINC PLATED.
 1-3 CLAMP: COPPER ALLOY, NICKEL PLATED.
 1-4 TERMINAL: COPPER ALLOY, TIN PLATED.
 2. PRODUCTION SPECIFICATION REFER TO FCI GS-12-625.
 3. BOXED PACKAGING.
 DETAILED PRODUCT PACKING SPECIFICATION REFER TO FCI GS-14-1394.
 4. FCI, SAFETY CERTIFICATE LOGO AND SERIES NAME TO BE SHOWN ON PRODUCT SURFACE.
 5. THE PRODUCTS WHERE THE PART NUMBER END IN "LF" MEET THE EUROPEAN UNION DIRECTIVE AND OTHER COUNTRY REGULATIONS AS DESCRIBED IN GS-22-008.
 6. RECOMENDED SOLDERING PROCESS BY WAVE SOLDER.

mat'l. code				surface ASME Y14.5 ✓ / tolerance ASME Y14.5		projection		product family	
tolerances unless otherwise specified				X.±0.5				TERMINAL BLOCK	
angles				X.X±0.3		MM		title	
X°±1'				X.XX±0.1		[INCH]		TERMINAL BLOCK	
scale								FIXED HORIZONTAL WIRE INLET	
ltr				dr		date		dwg no	
A DC09-0203 BF 062509				E T10-0109 WL 070710		F T10-0159 WL 100410		sheet 1 of 3 size	
B T09-1148 BF 111709				D T10-0042 WL 030310		G T10-0187 WL 121410		20020327 A4	
C T09-1152 BF 112609				dr BEER FU 062509		appd JOSEPH HSIA 062509		CUSTOMER Drawing	
D T10-0042 WL 030310				enr BEER FU 062509					
E T10-0109 WL 070710				chr GARY HSIEH 062509					
F T10-0159 WL 100410				sheet revision					
G T10-0187 WL 121410				1 G G					
sheet index				1 2 3					



PRODUCT NUMBER	SERIES NAME	PITCH
20020327-CXXXXXL	26-350	3.50 mm



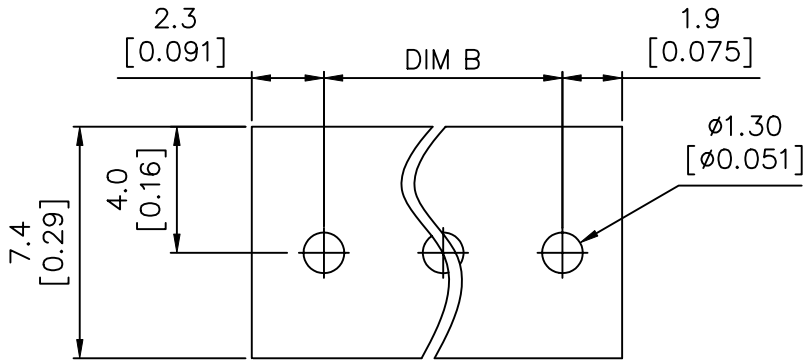
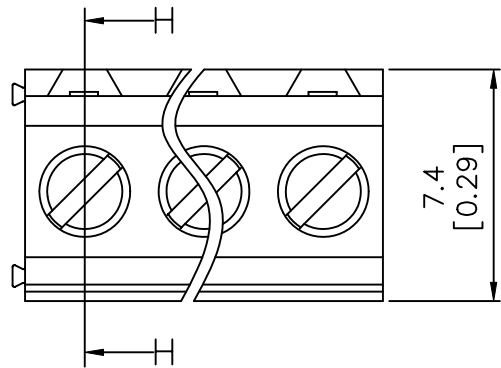
N = Number of poles
 Dim A = $N \times 3.5 [0.138]$
 Dim B = $(N-1) \times 3.5 [0.138]$

TOL.	Dim A	Dim B
2-6p	$\pm 0.15 [0.006]$	
7-12p	$\pm 0.20 [0.008]$	
13-16p	$\pm 0.25 [0.010]$	
17-24p	$\pm 0.30 [0.012]$	

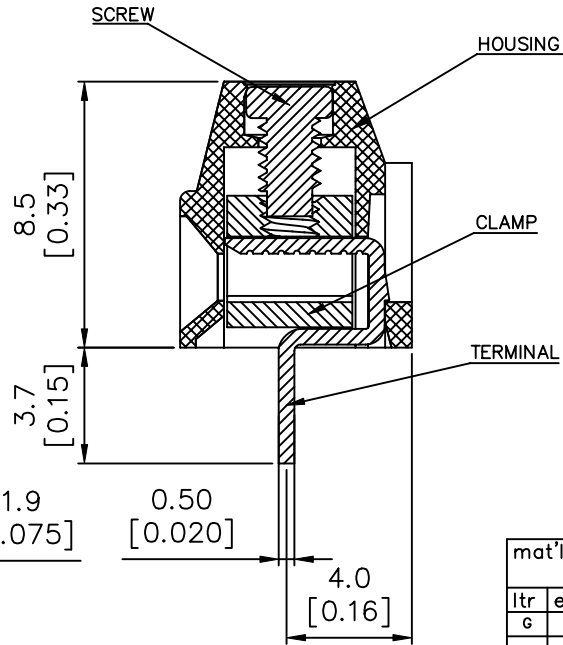
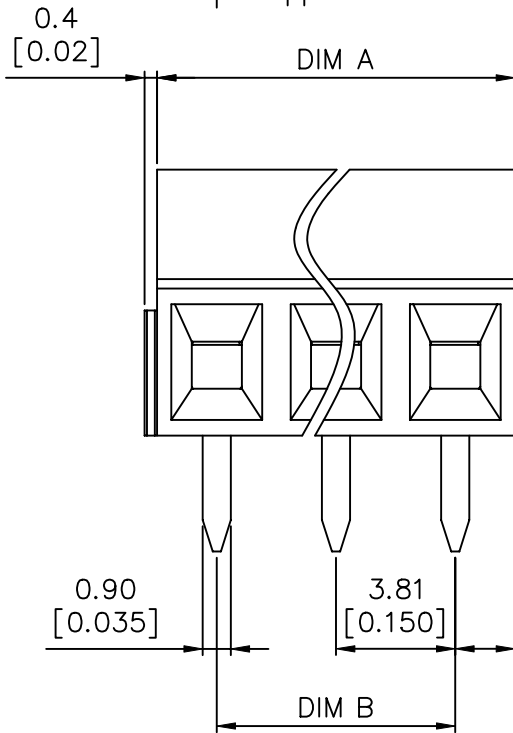
mat'l. code		surface ASME Y14.5	tolerance ASME Y14.5	projection 	product family TERMINAL BLOCK
ltr	ecn no	dr	date	title TERMINAL BLOCK FIXED HORIZONTAL WIRE INLET	
g				MM INCH scale	dwg no 20020327
		dr	BEER FU 062509		sheet 2 of 3
		enr	BEER FU 062509		A4
		chr	GARY HSIEH 062509		
		appd	JOSEPH HSIA 062509		type CUSTOMER Drawing
sheet index	revision sheet				



PRODUCT NUMBER	SERIES NAME	PITCH
20020327-DXXXXXL	26-381	3.81 mm



P.C.B. LAYOUT



N = Number of poles
 Dim A = $N \times 3.81 [0.150]$
 Dim B = $(N - 1) \times 3.81 [0.150]$

TOL.	Dim A	Dim B
2-6p	$\pm 0.15 [0.006]$	
7-12p	$\pm 0.20 [0.008]$	
13-16p	$\pm 0.25 [0.010]$	
17-24p	$\pm 0.30 [0.012]$	

mat'l. code		surface ASME Y14.5	tolerance ASME Y14.5	projection 	product family TERMINAL BLOCK
ltr	ecn no	dr	date	title	
tolerances unless otherwise specified				 MM [INCH]	TERMINAL BLOCK FIXED HORIZONTAL WIRE INLET
angles		line			
X°±1'		X.XX±0.1			
scale		scale		dwg no	
dr		062509		sheet 3 of 3 size	
enr		062509		20020327	
chr		062509		A4	
appd		062509		type	
JOSEPH HSIA				CUSTOMER Drawing	
sheet index	revision sheet				