



Chipsmall Limited consists of a professional team with an average of over 10 year of expertise in the distribution of electronic components. Based in Hongkong, we have already established firm and mutual-benefit business relationships with customers from,Europe,America and south Asia,supplying obsolete and hard-to-find components to meet their specific needs.

With the principle of “Quality Parts,Customers Priority,Honest Operation,and Considerate Service”,our business mainly focus on the distribution of electronic components. Line cards we deal with include Microchip,ALPS,ROHM,Xilinx,Pulse,ON,Everlight and Freescale. Main products comprise IC,Modules,Potentiometer,IC Socket,Relay,Connector.Our parts cover such applications as commercial,industrial, and automotives areas.

We are looking forward to setting up business relationship with you and hope to provide you with the best service and solution. Let us make a better world for our industry!



## Contact us

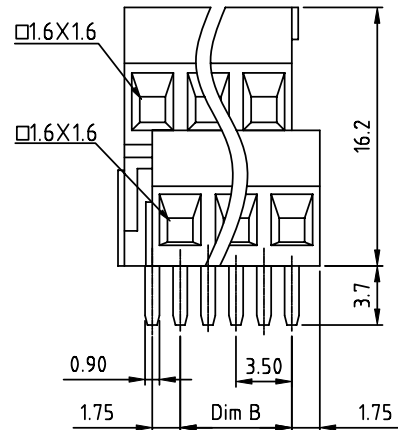
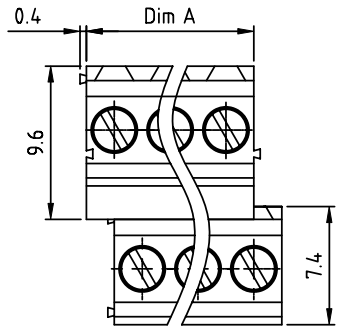
Tel: +86-755-8981 8866 Fax: +86-755-8427 6832

Email & Skype: info@chipsmall.com Web: www.chipsmall.com

Address: A1208, Overseas Decoration Building, #122 Zhenhua RD., Futian, Shenzhen, China



PRODUCT NUMBER	PITCH
YQxx21x000J0 G	3.50 mm



Dimension Dim A & Dim B

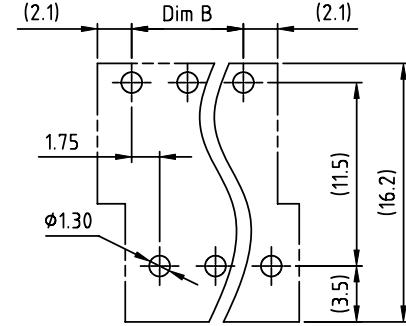
$DimA=N/2 \times 3.5$   
 $DimB=(N/2-1) \times 3.5$

N=Number of poles

POLES	Tolerance
2x2p-2x6p	±0.15
2x7p-2x12p	±0.20
2x13p-2x18p	±0.25
2x19p-2x24p	±0.30

PART NO.: YQ xx 2 1 x 0 00J0 G

	Solid Block	No. of poles	Color	RoHS compliant (lead<4%) In copper Alloy
0	Black (RAL9005)	2	Red (RAL3001/D)	
04	2x2 POLES	3	Orange(RAL2011/P)	
06	2x3 POLES	4	Yellow(RAL1018/A)	
...	...	5	Green(RAL6018/T)	
48	2x24 POLES	6	Blue (RAL5015/A)	
		8	Grey(RAL7035/D)	
		9	White(RAL1102)	
		C	Green(RAL6018/U)	



RECOMMENDED P.C.B LAYOUT  
TOP VIEW

- Material:
- Item① Clamp: Brass ,Ni plated
  - Item② Terminal screw: Steel Zinc plating"-slot type
  - Item③ Solder pin1: Brass ,Tin plated (YO)
  - Item④ Solder pin2: Brass ,Tin plated (YP)
  - Item⑤ Terminal housing : Thermoplastic (UL 94V-0) (YP3.5)
  - Item⑥ Terminal housing : Thermoplastic (UL 94V-0) (Y03.5)

- Electrical cULus
- Voltage rating: 300VAC
  - Current rating: 10A
  - Wire range:
  - Solid wire(AWG): 16-24
  - Stranded wire(AWG): 16-24
  - Torque(Lb-In): 1.7
  - Screw: M2
  - Wire strip length: 5-6mm
  - Withstanding Voltage: 1.6KV
  - Operating temperature: -40°C to +115°C
  - Soldering temperature: 260°C±5°C/5 Sec
  - Safety Approval: cULus

mat'l. code		surface ASME Y14.5	tolerance ASME Y14.5	projection	product family	
ltr	ecn no	dr	date	MM	TERMINAL BLOCK	
				angles	title	
				X.±0.5	TERMINAL BLOCK	
				X.X±0.3	RISING CLAMP,180D WIRE INLET,RIGHT TYPE	
				X*±1*	X.XX±0.1	
				scale	dwg no	
				dr	sheet 1 of 1	
				enrg	size	
				chr	YQxx21x000J0G	
				appd	A4	
				type		
				CUSTOMER Drawing		
sheet index	revision	A				
	sheet	1				