



Chipsmall Limited consists of a professional team with an average of over 10 year of expertise in the distribution of electronic components. Based in Hongkong, we have already established firm and mutual-benefit business relationships with customers from,Europe,America and south Asia,supplying obsolete and hard-to-find components to meet their specific needs.

With the principle of “Quality Parts,Customers Priority,Honest Operation,and Considerate Service”,our business mainly focus on the distribution of electronic components. Line cards we deal with include Microchip,ALPS,ROHM,Xilinx,Pulse,ON,Everlight and Freescale. Main products comprise IC,Modules,Potentiometer,IC Socket,Relay,Connector.Our parts cover such applications as commercial,industrial, and automotives areas.

We are looking forward to setting up business relationship with you and hope to provide you with the best service and solution. Let us make a better world for our industry!



Contact us

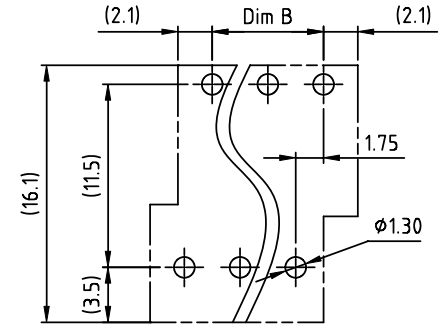
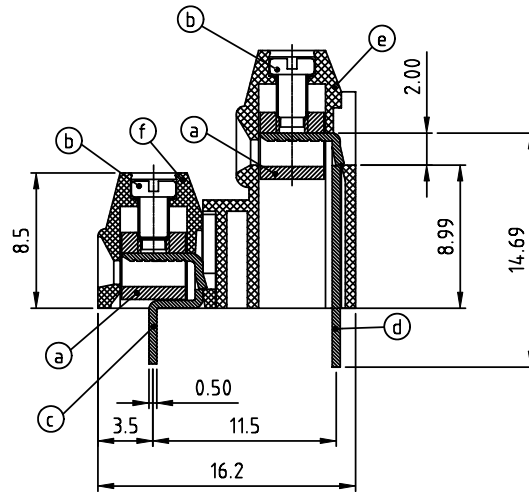
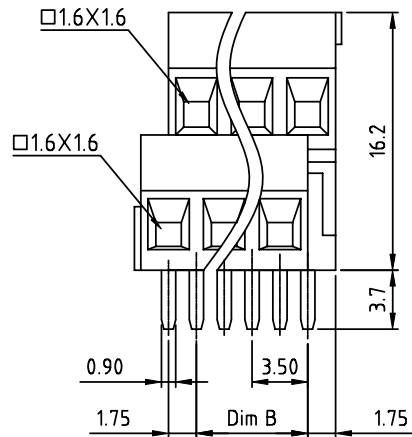
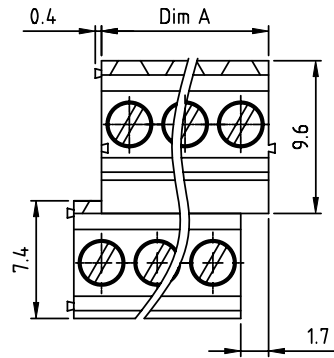
Tel: +86-755-8981 8866 Fax: +86-755-8427 6832

Email & Skype: info@chipsmall.com Web: www.chipsmall.com

Address: A1208, Overseas Decoration Building, #122 Zhenhua RD., Futian, Shenzhen, China



PRODUCT NUMBER	PITCH
YQxx01x000J0 G	3.50 mm



RECOMMENDED P.C.B LAYOUT
TOP VIEW

Material:

- Item① Clamp: Brass ,Ni plated
- Item② Terminal screw: Steel Zinc plating"- "slot type
- Item③ Solder pin1 : Brass ,Tin plated (Y0)
- Item④ Solder pin2 : Brass ,Tin plated (YP)
- Item⑤ Terminal housing : Thermoplastic (UL 94V-0) (YP3.5)
- Item⑥ Terminal housing : Thermoplastic (UL 94V-0) (Y03.5)

Electrical cULus

- Voltage rating: 300VAC
- Current rating: 10A
- Wire range:
- Solid wire(AWG): 16-24
- Stranded wire(AWG): 16-24
- Torque(Lb-In): 1.7
- Screw: M2
- Wire strip length: 5-6mm
- Withstanding Voltage: 1.6KV
- Operating temperature: -40°C to +115°C
- Soldering temperature: 260°C±5°C/5 Sec
- Safety Approval: us

DimA=N×3.5	
DimB=(N-1)×3.5	
N=Number of poles	
POLES	Tolerance
2×2p-2×6p	±0.15
2×7p-2×12p	±0.20
2×13p-2×18p	±0.25
2×19p-2×24p	±0.30

PART NO.: YQ xx 0 1 x 0 00J0 G

Solid Block	0	Black (RAL9005)	RoHS compliant (lead<4%) In copper Alloy
No. of poles	2	Red (RAL3001/D)	
04 2×2 POLES	3	Orange(RAL2011/P)	
06 2×3 POLES	4	Yellow(RAL1018/A)	
... ..	5	Green(RAL6018/T)	
48 2×24 POLES	6	Blue (RAL5015/A)	
	8	Grey(RAL7035/D)	
	9	White(RAL1102)	
	C	Green(RAL6018/U)	

mat'l. code		surface ASME Y14.5	tolerance ASME Y14.5	projection	product family TERMINAL BLOCK
ltr	ecn no	dr	date		title TERMINAL BLOCK
				tolerances unless otherwise specified	RISING CLAMP,180D WIRE INLET,LEFT TYPE
				angles X°±1°	scale
				dr	EVIN ZHONG 040714
				enr	EVIN ZHONG 040714
				chr	HANKE FENG 040714
				appd	SHI JUN 040714
sheet index		revision	A		dwg no YQxx01x000J0 G
		sheet	1		sheet 1 of 1 size A4
					type CUSTOMER Drawing