



Chipsmall Limited consists of a professional team with an average of over 10 year of expertise in the distribution of electronic components. Based in Hongkong, we have already established firm and mutual-benefit business relationships with customers from,Europe,America and south Asia,supplying obsolete and hard-to-find components to meet their specific needs.

With the principle of “Quality Parts,Customers Priority,Honest Operation,and Considerate Service”,our business mainly focus on the distribution of electronic components. Line cards we deal with include Microchip,ALPS,ROHM,Xilinx,Pulse,ON,Everlight and Freescale. Main products comprise IC,Modules,Potentiometer,IC Socket,Relay,Connector.Our parts cover such applications as commercial,industrial, and automotives areas.

We are looking forward to setting up business relationship with you and hope to provide you with the best service and solution. Let us make a better world for our industry!



## Contact us

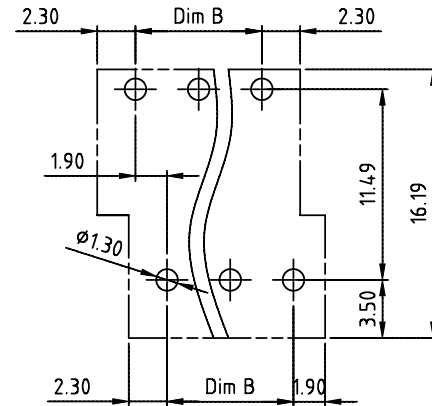
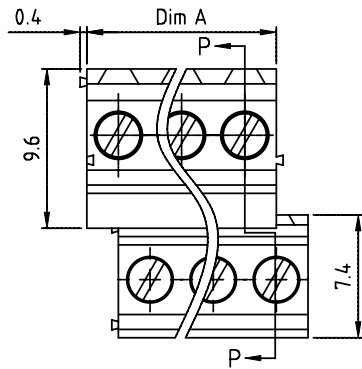
Tel: +86-755-8981 8866 Fax: +86-755-8427 6832

Email & Skype: info@chipsmall.com Web: www.chipsmall.com

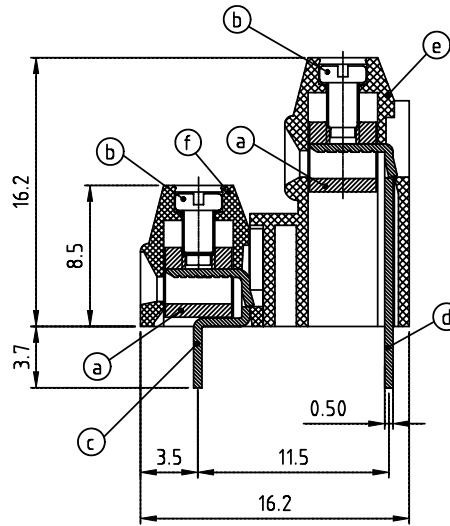
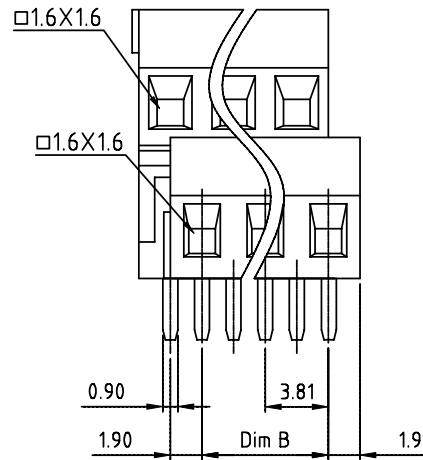
Address: A1208, Overseas Decoration Building, #122 Zhenhua RD., Futian, Shenzhen, China



PRODUCT NUMBER	PITCH
YQxx61x000J0G	3.81mm



RECOMMENDED P.C.B LAYOUT  
TOP VIEW



SECTION P-P

Material:

- ItemⒶClamp: Brass ,Ni plated
- ItemⒷTerminal screw: Steel Zinc plating"- "slot type
- ItemⒸSolder pin1 : Brass ,Tin plated (Y0)
- ItemⒹSolder pin2 : Brass ,Tin plated (YP)
- ItemⒺTerminal housing : Thermoplastic (UL 94V-0) (YP3.81)
- ItemⒻTerminal housing : Thermoplastic (UL 94V-0) (Y03.81)

Electrical cULus

- Voltage rating: 300VAC
- Current rating: 10A
- Wire range:
- Solid wire(AWG): 16-24
- Stranded wire(AWG): 16-24
- Torque(Lb-In): 1.7
- Screw: M2
- Wire strip length: 5-6mm
- Withstanding Voltage: 1.6KV
- Operating temperature: -40°C to +115°C
- Soldering temperature: 260°C±5°C/5 Sec
- Safety Approval: cULus

Dimension Dim A & Dim B

DimA=N×3.81
DimB=(N-1)×3.81

N=Number of poles

POLES	Tolerance
2×2p-2×6p	±0.15
2×7p-2×12p	±0.20
2×13p-2×18p	±0.25
2×19p-2×24p	±0.30

PART NO.: YQ xx 6 1 x 0 00J0 G

	Color	RoHS compliant (lead<4%) In copper Alloy
Solid Block	0 Black (RAL9005)	
No. of poles	2 Red (RAL3001/D)	
04 2×2 POLES	3 Orange(RAL2011/P)	
06 2×3 POLES	4 Yellow(RAL1018/A)	
...	5 Green(RAL6018/T)	
48 2×24 POLES	6 Blue (RAL5015/A)	
	8 Grey(RAL7035/D)	
	9 White(RAL1102)	
	C Green(RAL6018/U)	

mat'l. code		surface ASME Y14.5	tolerance ASME Y14.5	projection	product family	
ltr ecn no dr date		tolerances unless otherwise specified		MM	TERMINAL BLOCK	
		angles	X.±0.5		title	
		X*±1°	X.X±0.3	scale	TERMINAL BLOCK	
		dr	EVIN ZHONG 040714	FCI	RISING CLAMP,180D WIRE INLET,RIGHT TYPE	
		engr	EVIN ZHONG 040714		dwg no	sheet 1 of 1 size
		chr	HANKE FENG 040714		YQxx61x000J0G	A4
		appd	SHI JUN 040714		type	CUSTOMER Drawing
sheet index	revision sheet	A	1			