



Chipsmall Limited consists of a professional team with an average of over 10 year of expertise in the distribution of electronic components. Based in Hongkong, we have already established firm and mutual-benefit business relationships with customers from,Europe,America and south Asia,supplying obsolete and hard-to-find components to meet their specific needs.

With the principle of "Quality Parts,Customers Priority,Honest Operation,and Considerate Service",our business mainly focus on the distribution of electronic components. Line cards we deal with include Microchip,ALPS,ROHM,Xilinx,Pulse,ON,Everlight and Freescale. Main products comprise IC,Modules,Potentiometer,IC Socket,Relay,Connector.Our parts cover such applications as commercial,industrial, and automotives areas.

We are looking forward to setting up business relationship with you and hope to provide you with the best service and solution. Let us make a better world for our industry!



## Contact us

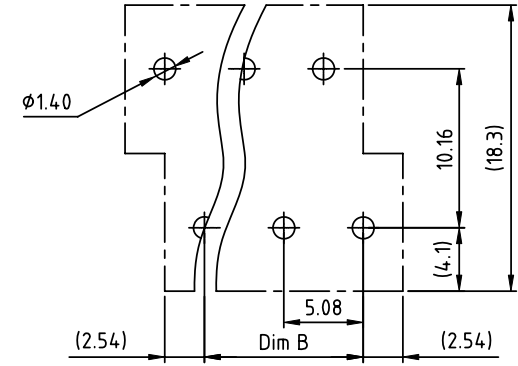
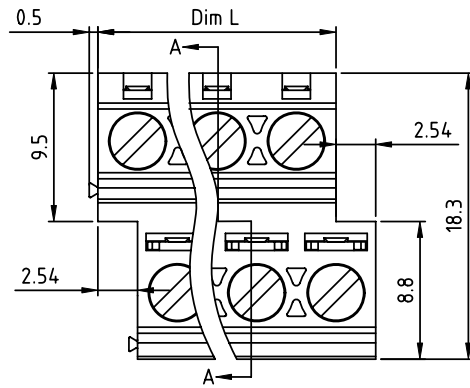
Tel: +86-755-8981 8866 Fax: +86-755-8427 6832

Email & Skype: info@chipsmall.com Web: www.chipsmall.com

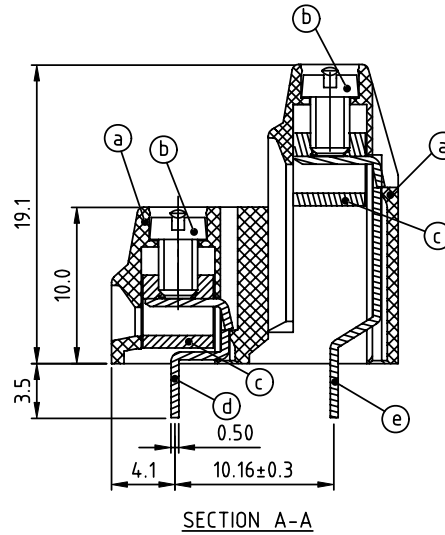
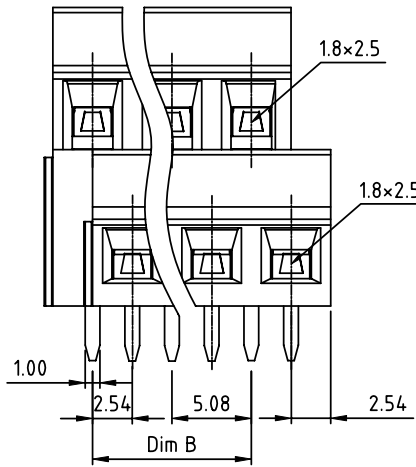
Address: A1208, Overseas Decoration Building, #122 Zhenhua RD., Futian, Shenzhen, China



PRODUCT NUMBER	PITCH
YSxx21x000J0G	5.08mm



RECOMMENDED P.C.B LAYOUT  
TOP VIEW



SECTION A-A

Material:

- Item (a) Terminal housing : Thermoplastic ( UL94V-0 )
- Item (b) Terminal screw : Steel Zinc plating "-" slot type
- Item (c) Clamp : Brass, Ni plated
- Item (d) Solder pin1 : Brass, Tin plated
- Item (e) Solder pin2 : Brass, Tin plated

Electrical cULus

- Voltage rating: 300V
- Current rating: 10A
- Torque(Lb-In): 3.5
- Screw: M3.0
- Wrire range:
- Solid wire(AWG): 16-26
- Stranded wire(AWG): 16-26
- Wire strip length: 6-7mm
- Withstanding Voltage:1.6kv
- Operating temperature: -40°C to +115°C
- Soldering temperature: 260°C±5°C/5 Sec
- Safety Approval: cULus

DIMENSION

Dim L	N/2x5.08
Dim B	(N/2-1)x5.08

N=Number of poles

Poles	Tolerance
2x2p~2x6p	±0.15
2x7p~2x12p	±0.25
2x13p~2x18p	±0.35
2x19p~2x24p	±0.45

PART NO.: YS xx 2 1 x 0 00J0 G

End stackable	0	Color	Black (RAL9005)	RoHS compliant	(lead<4%)
No. of poles	2		Red (RAL3001/D)		In copper Alloy
04	2x2 poles	3	Orange(RAL2011/P)		
06	2x3 poles	4	Yellow(RAL1018/A)		
...	...	5	Green(RAL6018/T)		
48	2x24 poles	6	Blue (RAL5015/A)		
		8	Grey(RAL7035/D)		
		9	White(RAL1102)		
		C	Green(RAL6018/U)		

mat'l. code		surface ASME Y14.5	tolerance ASME Y14.5	projection	product family
ltr	ecn no	dr	date	 MM	TERMINAL BLOCK
tolerances unless otherwise specified					title
angles		X.±0.5		 scale	TERMINAL BLOCK
X°±1'		X.XX±0.1			RISING CLAMP, 180D WIRE INLET, END STACKABLE title YSxx21x000J0G sheet 1 of 1 size A4 type CUSTOMER Drawing
dr	EVIN ZHONG	041014			
enr	EVIN ZHONG	041014			
chr	HANKE FENG	041014			
appd	SHI JUN	041014			
sheet index	revision sheet	A	1		