



Chipsmall Limited consists of a professional team with an average of over 10 year of expertise in the distribution of electronic components. Based in Hongkong, we have already established firm and mutual-benefit business relationships with customers from,Europe,America and south Asia,supplying obsolete and hard-to-find components to meet their specific needs.

With the principle of “Quality Parts,Customers Priority,Honest Operation,and Considerate Service”,our business mainly focus on the distribution of electronic components. Line cards we deal with include Microchip,ALPS,ROHM,Xilinx,Pulse,ON,Everlight and Freescale. Main products comprise IC,Modules,Potentiometer,IC Socket,Relay,Connector.Our parts cover such applications as commercial,industrial, and automotives areas.

We are looking forward to setting up business relationship with you and hope to provide you with the best service and solution. Let us make a better world for our industry!



Contact us

Tel: +86-755-8981 8866 Fax: +86-755-8427 6832

Email & Skype: info@chipsmall.com Web: www.chipsmall.com

Address: A1208, Overseas Decoration Building, #122 Zhenhua RD., Futian, Shenzhen, China





GE Sensing

A COMMITMENT TO EXCELLENCE

GE Sensing, Crown Industrial Estate, Priorswood Road, Taunton, Somerset, TA2 8QY, UK
Tel +44 (0) 1823 335200 Fax +44 (0) 1823 332637

TEST SPECIFICATION	PART No. YS5677	ISSUE: A
CUSTOMER: Various	DATE: 18th December, 2009	QUANTITY:
Customer P/N:	ORIGINATOR: M.J.Roberts	PAGE 1 OF 1

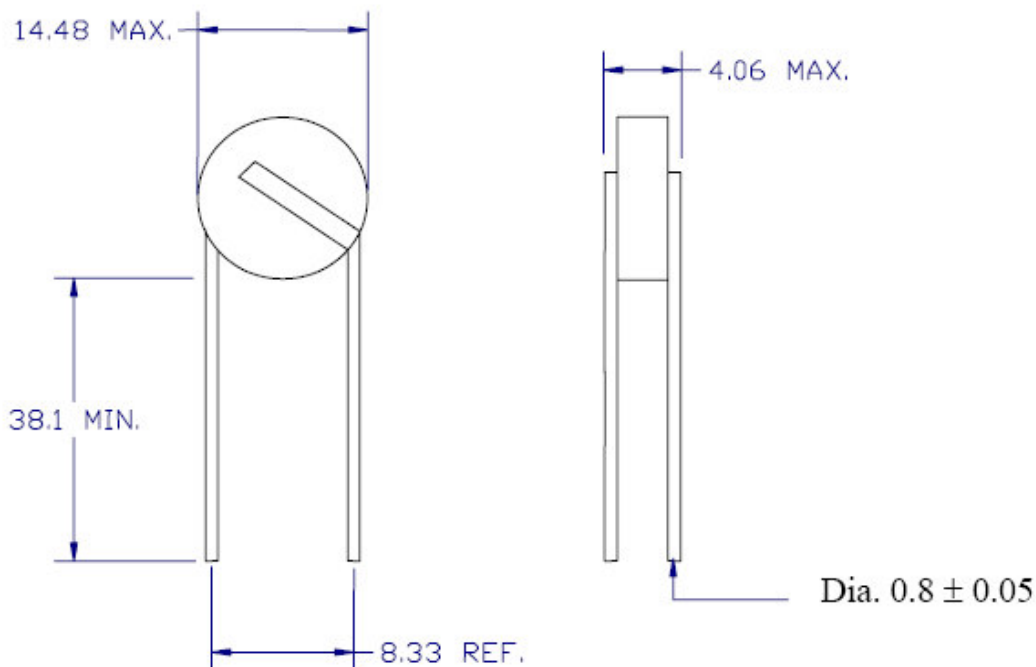
DESCRIPTION: PTC THERMISTOR INTENDED FOR USE AS A CURRENT LIMITING PROTECTION DEVICE

MECHANICAL SPECIFICATION

CONSTRUCTION: BARE CERAMIC DISC. THICK SILVER FILM ELECTRODES
UNINSULATED LEADWIRES.

TERMINATIONS: STRAIGHT TYPE, TIN COATED COPPER WIRE

DIMENSIONS in mm: SEE DRAWING BELOW.



ELECTRICAL SPECIFICATION

RESISTANCE AT 25°C, R ₂₅ :	10Ω ± 30%	(1)
SWITCHING TEMPERATURE T _b :	120°C ± 5°C	(2)
NORMAL OPERATING VOLTAGE:	50Vdc	
MAXIMUM OPERATING VOLTAGE, V _{max} :	75Vdc	

NOTES:

- (1) Measuring Current: 1mA.max
- (2) Resistance – 2 x Resistance minimum

CHANGES SINCE LAST ISSUE: Δ							
Issue :	A						
Date :	18/12/09						

The copyright in this Specification/Drawing/Document is the property of Thermometrics and the Specification/Drawing/Document is issued on the condition that it is not copied, reprinted, stored in an electronic retrieval system or reproduced, nor its contents disclosed either wholly or in part to any Third Party without either the consent in writing of or in accordance with the conditions of a contract with Thermometrics@GE THERMOMETRICS.