



Chipsmall Limited consists of a professional team with an average of over 10 year of expertise in the distribution of electronic components. Based in Hongkong, we have already established firm and mutual-benefit business relationships with customers from,Europe,America and south Asia,supplying obsolete and hard-to-find components to meet their specific needs.

With the principle of “Quality Parts,Customers Priority,Honest Operation,and Considerate Service”,our business mainly focus on the distribution of electronic components. Line cards we deal with include Microchip,ALPS,ROHM,Xilinx,Pulse,ON,Everlight and Freescale. Main products comprise IC,Modules,Potentiometer,IC Socket,Relay,Connector.Our parts cover such applications as commercial,industrial, and automotives areas.

We are looking forward to setting up business relationship with you and hope to provide you with the best service and solution. Let us make a better world for our industry!



## Contact us

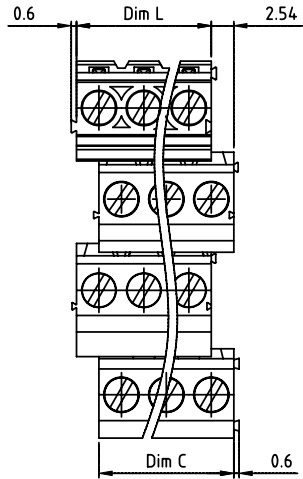
Tel: +86-755-8981 8866 Fax: +86-755-8427 6832

Email & Skype: info@chipsmall.com Web: www.chipsmall.com

Address: A1208, Overseas Decoration Building, #122 Zhenhua RD., Futian, Shenzhen, China



PRODUCT NUMBER	PITCH
YTxx21x000J0G	5.08 mm



**DIMENSION**

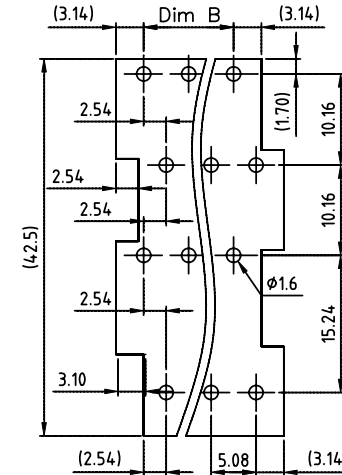
Dim L	N/4x5.08
Dim B	(N/4-1)x5.08
Dim C	N/4x5.08

N=Number of poles

Poles	Tolerance
8poles~24poles	±0.15
28poles~48poles	±0.25
52poles~72poles	±0.35
76poles~96poles	±0.40

PART NO.: YT xx 21 x 0 00J0 G

End stackable	Color	RoHS compliant
No. of poles	0 Black (RAL9005)	(lead<4%)
08 4x2 poles	2 Red (RAL3001/D)	In copper Alloy
12 4x3 poles	3 Orange(RAL2011/P)	
... ..	4 Yellow(RAL1018/A)	
... ..	5 Green(RAL6018/T)	
96 4x24 poles	6 Blue (RAL5015/A)	
	8 Grey(RAL7035/D)	
	9 White(RAL1102)	
	C Green(RAL6018/U)	



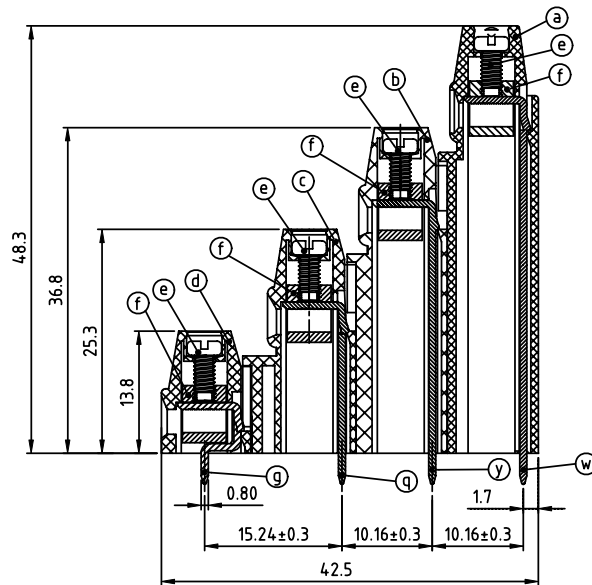
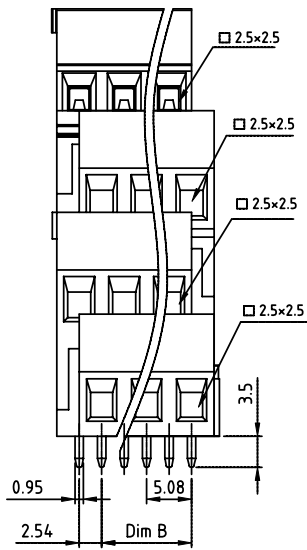
RECOMMENDED P.C.B LAYOUT  
TOP VIEW

Material:

- Item ① Terminal housing : Thermoplastic (UL94V-0)(YR5.08)
- Item ② Terminal housing : Thermoplastic (UL94V-0)(YF5.08)
- Item ③ Terminal housing : Thermoplastic (UL94V-0)(YE5.08)
- Item ④ Terminal housing : Thermoplastic (UL94V-0)(YD5.08)
- Item ⑤ Terminal screw: Steel Zinc plating "-" slot type
- Item ⑥ Clamp : Brass , Ni plating
- Item ⑦ Solder pin1 : Brass,Tin plated
- Item ⑧ Solder pin2 : Brass,Tin plated
- Item ⑨ Solder pin3 : Brass,Tin plated
- Item ⑩ Solder pin4 : Brass,Tin plated

Electrical cULus

- Voltage rating: 300VAC
- Current rating: 10A
- Wire range:
- Solid wire(AWG): 12-24
- Stranded wire(AWG): 12-24
- Torque(Lb-In): 3.5
- Screw: M2.5
- Wire strip length: 6-7mm
- Withstanding Voltage: 1.6KV
- Operating temperature: -40°C to +115°C
- Soldering temperature: 260°C±5°C/5 Sec
- Safety Approval:



mat'l. code		surface ASME Y14.5	tolerance ASME Y14.5	projection 	product family TERMINAL BLOCK
ltr	ecn no	dr	date	MM	title TERMINAL BLOCK
tolerances unless otherwise specified					
angles		X.±0.5		scale	RISING CLAMP,180D WIRE INLET,END STACKABLE
X°±1'		X.X±0.3			
dr		EVIN ZHONG	041114		dwg no
enr		EVIN ZHONG	041114		sheet 1 of 1
chr		HANKE FENG	041114		size
appd		SHI JUN	041114		A4
sheet index		revision	A	type CUSTOMER Drawing	
		sheet	1		