



Chipsmall Limited consists of a professional team with an average of over 10 year of expertise in the distribution of electronic components. Based in Hongkong, we have already established firm and mutual-benefit business relationships with customers from,Europe,America and south Asia,supplying obsolete and hard-to-find components to meet their specific needs.

With the principle of "Quality Parts,Customers Priority,Honest Operation,and Considerate Service",our business mainly focus on the distribution of electronic components. Line cards we deal with include Microchip,ALPS,ROHM,Xilinx,Pulse,ON,Everlight and Freescale. Main products comprise IC,Modules,Potentiometer,IC Socket,Relay,Connector.Our parts cover such applications as commercial,industrial, and automotives areas.

We are looking forward to setting up business relationship with you and hope to provide you with the best service and solution. Let us make a better world for our industry!



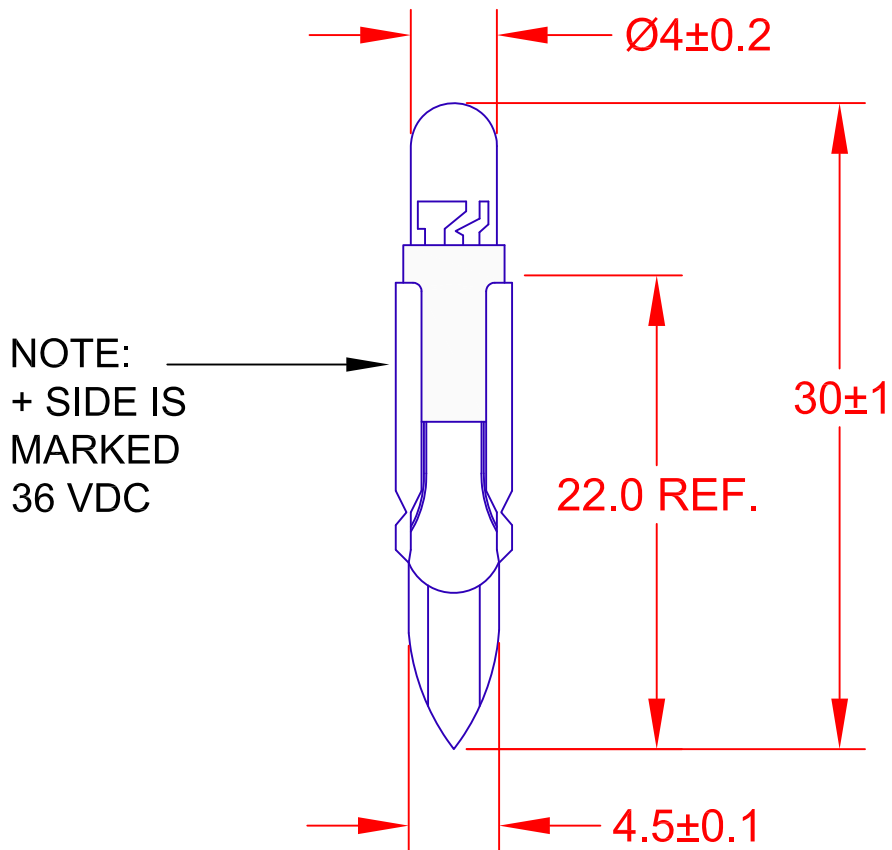
Contact us

Tel: +86-755-8981 8866 Fax: +86-755-8427 6832

Email & Skype: info@chipsmall.com Web: www.chipsmall.com

Address: A1208, Overseas Decoration Building, #122 Zhenhua RD., Futian, Shenzhen, China





JKL PART NUMBER	Color	Volts V	Amps mA	Luminous Intensity (mcd)	Peak Wave Length (nm) or Color Temperature (°k)	Viewing Angle (deg).
Z-T55-NW	Neutral White	36V DC	20 MAX.	1200 TYP.	4400°k	60
Z-T55-R	Red	36V DC	20 MAX.	1000 TYP..	622nm	30
Z-T55-G	Green	36V DC	20 MAX.	4250 TYP.	468nm	20

NOTE: LED LAMP REPLACEMENT FOR SM3620L

 THIRD ANGLE PROJECTION		DIMENSIONS ARE IN MILLIMETERS TOLERANCE UNLESS OTHERWISE SPECIFIED 1 PL +/- REF. 2 PL +/- REF. ANGLE +/- 0		JKL COMPONENTS CORPORATION TITLE LILIPUT T5.5 TELEPHONE SLIDE BASE LED								
B	ADD NOTE FOR + SIDE MARK	3/29/11	DRAWN BY	APPVD BY	DATE	SIZE	FSCM NO.	DRAWING NO.	Z-T55			
A	ADD SYMBOLS ON CHART	2/22/11	L. WENGSTROM	L.R.	3/29/11	A	55335					
	RELEASE & CANCEL PL-1010-01	1/13/11	- CAD DRAWING - MANUAL REVISIONS NOT PERMITTED			SCALE	RELEASED DATE	1/13/11	REVISION DATE	3/29/11	REV. NO. B	SHEET 1 OF 1
REV. NO.	DESCRIPTION/ECO NUMBER	APPVD DATE										