



Chipsmall Limited consists of a professional team with an average of over 10 year of expertise in the distribution of electronic components. Based in Hongkong, we have already established firm and mutual-benefit business relationships with customers from,Europe,America and south Asia,supplying obsolete and hard-to-find components to meet their specific needs.

With the principle of "Quality Parts,Customers Priority,Honest Operation,and Considerate Service",our business mainly focus on the distribution of electronic components. Line cards we deal with include Microchip,ALPS,ROHM,Xilinx,Pulse,ON,Everlight and Freescale. Main products comprise IC,Modules,Potentiometer,IC Socket,Relay,Connector.Our parts cover such applications as commercial,industrial, and automotives areas.

We are looking forward to setting up business relationship with you and hope to provide you with the best service and solution. Let us make a better world for our industry!



Contact us

Tel: +86-755-8981 8866 Fax: +86-755-8427 6832

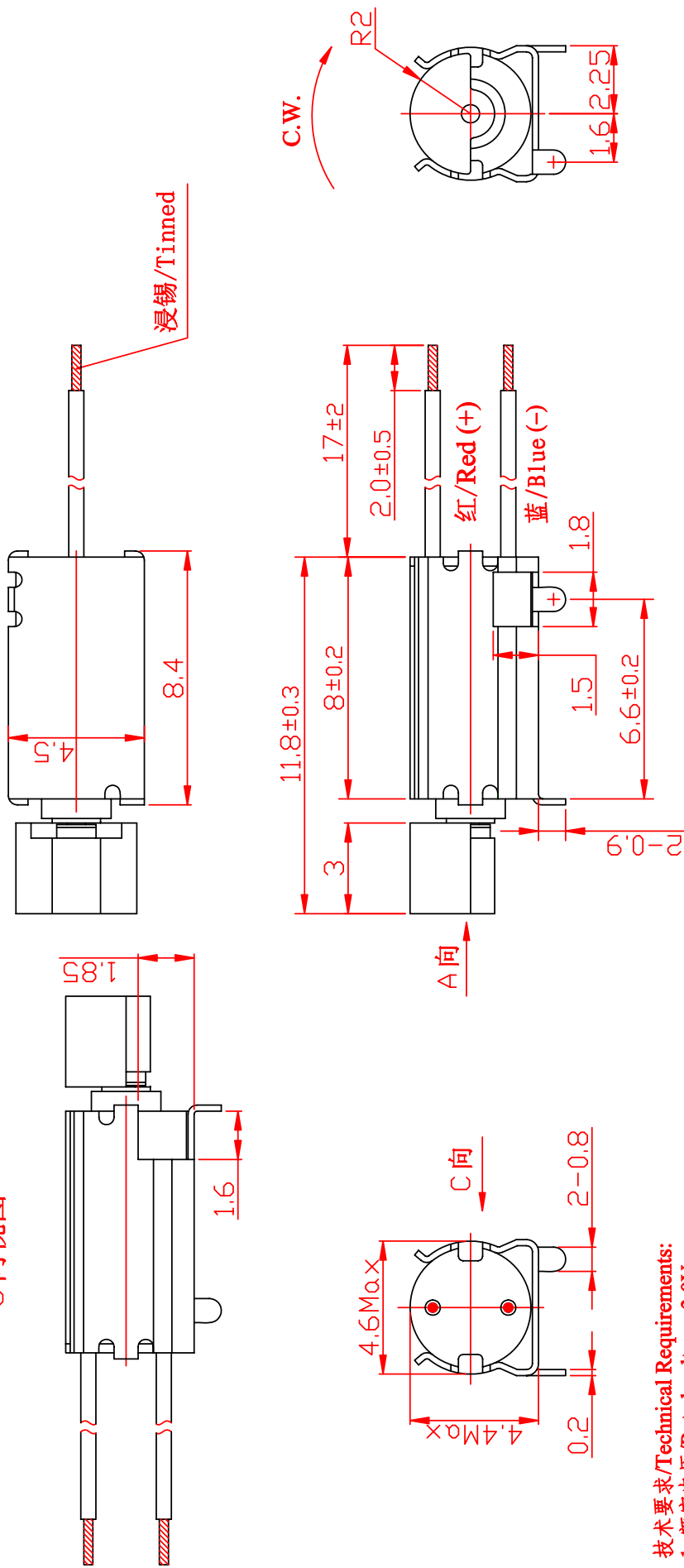
Email & Skype: info@chipsmall.com Web: www.chipsmall.com

Address: A1208, Overseas Decoration Building, #122 Zhenhua RD., Futian, Shenzhen, China



Z4TL2B03715452

C 向视图



技术要求/Technical Requirements:

1. 额定电压/Rated voltage: 3.0V
2. 额定电流/Rated current: 30mA Max
3. 额定转速/Rated speed: 10,000 ± 2000rpm
4. 堵转电流/Stall current: 40mA Max
5. 端子阻抗/Terminal resistance: 93Ω(±20%)
6. 起动电压/Starting voltage: 2.4V Max
7. 轴间间隙/Shaft end play: 0.05-0.2mm
8. 导线规格/Lead wire spec: AWG32 UL3302
9. 所有尺寸为A向压紧后的尺寸(不包括轴向间隙)/ Overall length is measured after counterweight being pressed against body in direction A. (Shaft end play is not included.)
10. 未注线性公差为/Unmarked tolerance: ± 0.1mm

借(通)用件登记	
底图总号	
签字	
日期	

www.jinlong-machinery.com

jinlong-machinery.com		金龙机电股份有限公司	
标记	处数	分区	更改文件号
设计			标准化
校对			
审核			
工艺			批准
阶段标记	重量	比例	
		5:1	
共 页	第 页	外形图	
		Z4TL2B03715452	