



Chipsmall Limited consists of a professional team with an average of over 10 year of expertise in the distribution of electronic components. Based in Hongkong, we have already established firm and mutual-benefit business relationships with customers from,Europe,America and south Asia,supplying obsolete and hard-to-find components to meet their specific needs.

With the principle of "Quality Parts,Customers Priority,Honest Operation,and Considerate Service",our business mainly focus on the distribution of electronic components. Line cards we deal with include Microchip,ALPS,ROHM,Xilinx,Pulse,ON,Everlight and Freescale. Main products comprise IC,Modules,Potentiometer,IC Socket,Relay,Connector.Our parts cover such applications as commercial,industrial, and automotives areas.

We are looking forward to setting up business relationship with you and hope to provide you with the best service and solution. Let us make a better world for our industry!



Contact us

Tel: +86-755-8981 8866 Fax: +86-755-8427 6832

Email & Skype: info@chipsmall.com Web: www.chipsmall.com

Address: A1208, Overseas Decoration Building, #122 Zhenhua RD., Futian, Shenzhen, China



Zone5™ Ceiling and Wall Mount Occupancy Sensors

DAYLIGHT HARVESTING CONTROLS

TITLE
24
COMPLIANCE



LISTED

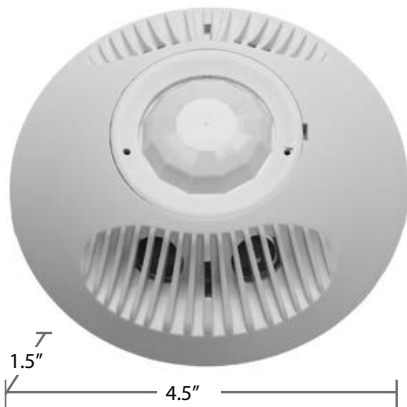


PROJECT INFORMATION

Project Name _____

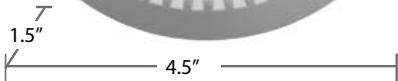
Catalog No. _____

Date _____



PIR
Sensor

Ultrasonic
Sensors



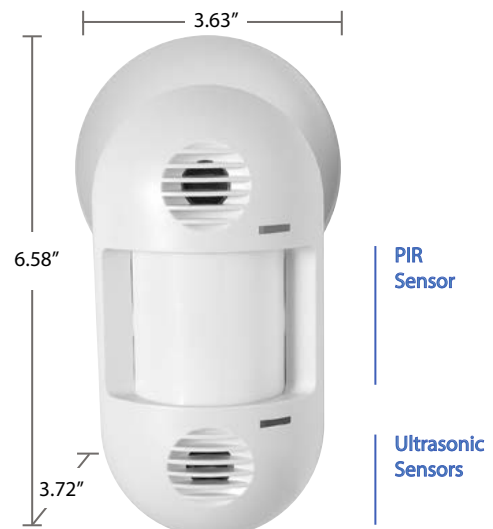
Z5-OS-OMDT2000RP

The *Zone5* Ceiling Mount and Wall Mount Occupancy Sensors combine ultrasonic (US) and passive infrared (PIR) technologies to turn lighting on and off based on occupancy. This dual technology provides accurate turn-ons while virtually eliminating false-offs.

These sensors feature Hubbell Controls' patented IntelliDAPT® technology, which makes all the sensor adjustments automatically. Throughout the product's lifespan, *IntelliDAPT* software analyzes the controlled area and makes digital adjustments to sensitivity and timer settings. Occupancy sensors with *IntelliDAPT* technology provide a maintenance-free install-and-forget operation.

PRODUCT FEATURES

- Occupancy Sensors for Zone5 Daylight Harvesting System
- *IntelliDAPT* self-adaptive technology – no manual adjustment required
- All-digital dual technology (ultrasonic [US] and passive infrared [PIR]) sensors
- Non-volatile memory for sensor settings
- 1,600 and 2,000 square-foot coverage area
- Form C relay with N/O + N/C outputs
- Color coded, plug and play installation
- UL and cUL listed
- Five-year limited warranty
- Low voltage device: 24 Vdc



PIR
Sensor

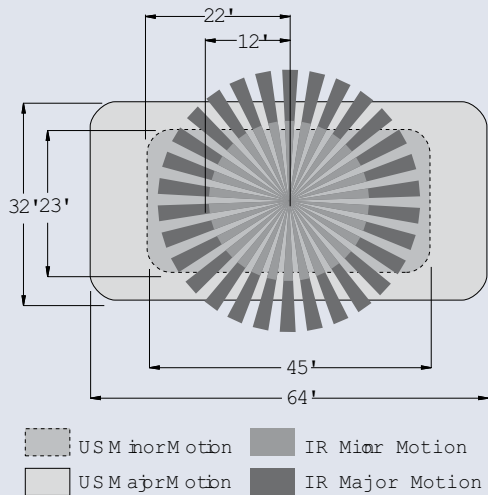
Ultrasonic
Sensors



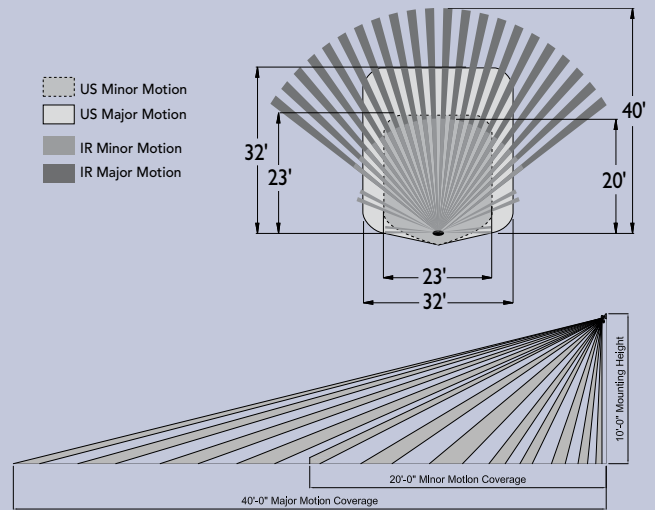
Z5-OS-LODTRP



HUBBELL
Control Solutions



Z5-OS-OMNIDT2000RP Range Diagram



Z5-OS-LODTRP Range Diagrams

General Specifications

IntelliDAPT® Technology	Auto reset from test setting Self-adjusting timer Self-adjusting ultrasonic and passive infrared thresholds Automatic false-on/ false-off corrections
LED lamp	Red – infrared motion Green – ultrasonic motion
Timer timeout	Automatic mode: 8 – 30 min. (self adjusts based on occupancy) Test mode: 8 seconds (for an easy check at installation)
Ultrasonic (US) output	Operating frequency: 32 kHz
Passive infrared (PIR)	Dual-element pyrometer and 12-element cylindrical rugged lens
Form C relay	Relay: N/O + N/C contacts; SPDT; 500 mA rated @ 24VDC; three-wire isolated relay
Coverage	Ceiling mount sensor: 2,000 square feet Wall mount sensor: 1,600 square feet
Power Requirements	24VDC, 33mA Power and 24VDC active high-logic output control signal provided through plenum rated
CAT5 plug-and-play cable (ordered separately)	
Operating environment	Indoor use only Operating temperature: 32° to 104°F (0° to 40°C) Relative humidity (non-condensing): 0% to 5%
Construction	Casing – rugged, high-impact, injection-molded plastic KJB ABS Cyclocac (UV-945VA) flame class rating, UV inhibitors
OMDT2000RP Dimensions	4.5" diameter, 1.5" height (114 mm diameter, 38mm height)
Weight	5.0 oz (142g)
LODTRP Dimensions	6.58" x 3.63" x 3.72"
Weight	5.0 oz (142g)
Color	Off-white
Mounting	Mounting base provided Recommended mounting height: 8ft with a max mounting height of 12ft.
Certifications	UL and cUL listed
Warranty	Five-year limited

Ordering Information

MODEL

Z5-OS-OMDT2000RP	Zone5 Occupancy Sensor, Ceiling Mount, PIR and Ultrasonic, Form C Relay, 2000 Sq. Ft.
Z5-OS-LODTRP	Zone5 Occupancy Sensor, Wall Mount, PIR and Ultrasonic, Form C Relay, 1600 Sq. Ft. <i>CAT5 Cable Sold Separately</i>



HUBBELL
Control Solutions