



Chipsmall Limited consists of a professional team with an average of over 10 year of expertise in the distribution of electronic components. Based in Hongkong, we have already established firm and mutual-benefit business relationships with customers from,Europe,America and south Asia,supplying obsolete and hard-to-find components to meet their specific needs.

With the principle of "Quality Parts,Customers Priority,Honest Operation,and Considerate Service",our business mainly focus on the distribution of electronic components. Line cards we deal with include Microchip,ALPS,ROHM,Xilinx,Pulse,ON,Everlight and Freescale. Main products comprise IC,Modules,Potentiometer,IC Socket,Relay,Connector.Our parts cover such applications as commercial,industrial, and automotives areas.

We are looking forward to setting up business relationship with you and hope to provide you with the best service and solution. Let us make a better world for our industry!



Contact us

Tel: +86-755-8981 8866 Fax: +86-755-8427 6832

Email & Skype: info@chipsmall.com Web: www.chipsmall.com

Address: A1208, Overseas Decoration Building, #122 Zhenhua RD., Futian, Shenzhen, China





金龙机电股份有限公司

JINLONG MACHINERY & ELECTRONICS CO., LTD.




www.jinlong-machinery.com

sales@jinlong-machinery.com

规格书

SPECIFICATION

| | | |
|------|---|--|
| 客户信息 | 客户名称/Customer | |
| | 客户料号/Part No. | |
| | 客户承认签章 Customer Approved Signatures | |

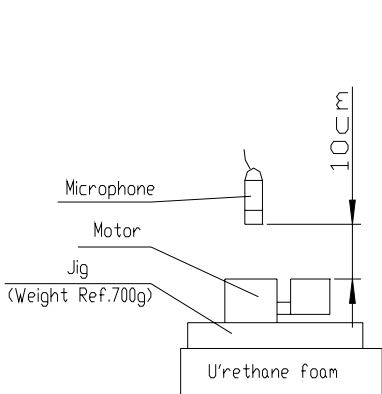
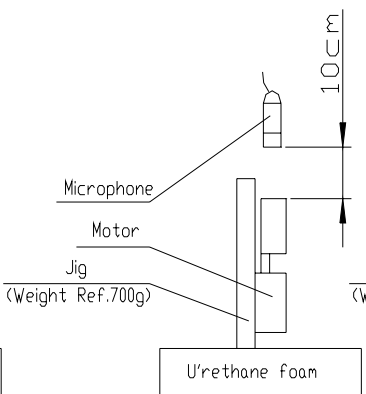
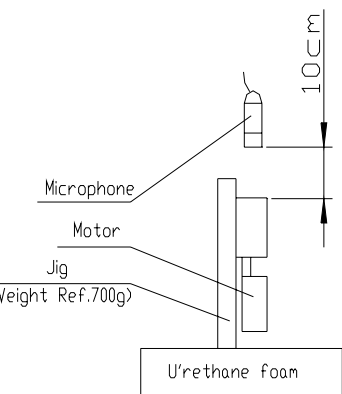
| | | |
|---|---|---|
| 文件编号/Spec No. | KOTL-B-16054 | |
| 品名/Description | 圆柱直流马达/Cylindrical DC motor | |
| 型号/Part No. | Z6DL2B0055211 | |
| 设计/Designed | 审核/Checked | 批准/Approved |
|  |  |  |
| 2016.10.26 | 2016.10.26 | 2016.10.26 |

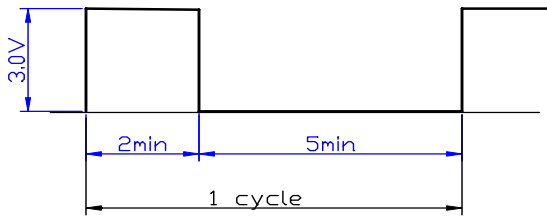
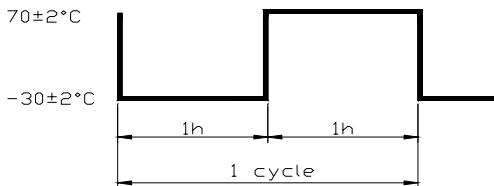
规格书内容/Contents

| | |
|--|-----|
| 1、适用范围/ General Scope | 3/9 |
| 2、使用条件/ Operating Conditions | 3/9 |
| 3、测定条件/ Measuring Conditions | 3/9 |
| 4、机械要求/ Mechanical Specifications | 3/9 |
| 5、性能特征/Performance and characteristics | 4/9 |
| 6、可靠性/Reliability | 5/9 |
| 7、要求/Requirements | 6/9 |
| 8、使用时注意事项/ attentions | 6/9 |
| 9、包装/Packaging | 7/9 |
| 10、外形图/Outline Drawing | 8/9 |
| 11、修改记录 / REVISION HISTORY | 9/9 |

| 2016.10.26 | 说明书/Specification | 编号/No KOTL-B-16054 | 代码/code:0 | 3/9 | | | | | | | | | | | | | | | | | | | | | | | | |
|---|--|---|-----------|-----|---------|-------------------|-----------------------------|------------------------------|--|--------------------------------------|---------------------------|--|---|-------------------------------|---|--|--|---------------------|--|------------------------------------|-------------|--|--------------------------------------|--|--------------------------------------|------------------------------------|--|--------------------------------------|
| 型号/Model | | Z6DL2B0055211 | | | | | | | | | | | | | | | | | | | | | | | | | | |
| <p>1. 适用范围/ General Scope 本说明书适用于圆筒式永磁直流电机 Z6DL2B0055211 型 This specification applies to cylindrical permanent-magnetic motors DC model Z6DL2B0055211</p> | | | | | | | | | | | | | | | | | | | | | | | | | | | | |
| <p>2. 使用条件/Operating Conditions</p> <table border="1"> <thead> <tr> <th>项目/Item</th> <th>规格/Specifications</th> <th>条件·备注/Conditions & Remarks</th> </tr> </thead> <tbody> <tr> <td>2-1 额定电压 Rated voltage</td> <td>3.0V DC</td> <td></td> </tr> <tr> <td>2-2 额定负荷 Rated load</td> <td>振子 Counterweight</td> <td>见 10. 外形图 As specified in 10. Outline Drawing</td> </tr> <tr> <td>2-3 旋转方向 Rotation</td> <td>C.W/C.C.W (clockwise or counter clockwise)</td> <td></td> </tr> <tr> <td>2-4 马达位置 Motor position</td> <td>全方位 All position</td> <td></td> </tr> <tr> <td>2-5 使用电压范围 Operating voltage</td> <td>2.2~3.6V DC</td> <td></td> </tr> <tr> <td>2-6 使用环境 Operating environment</td> <td>-30 ~ 70℃, 常湿 /Ordinary Humidity:65±20%RH</td> <td>无水气凝结 No condensation of moisture</td> </tr> <tr> <td>2-7 保存环境 Storage environment</td> <td>-40 ~ 80℃, 常湿 /Ordinary Humidity:65±20%RH</td> <td>无水气凝结 No condensation of moisture</td> </tr> </tbody> </table> | | | | | 项目/Item | 规格/Specifications | 条件·备注/Conditions & Remarks | 2-1 额定电压 Rated voltage | 3.0V DC | | 2-2 额定负荷 Rated load | 振子 Counterweight | 见 10. 外形图 As specified in 10. Outline Drawing | 2-3 旋转方向 Rotation | C.W/C.C.W (clockwise or counter clockwise) | | 2-4 马达位置 Motor position | 全方位 All position | | 2-5 使用电压范围 Operating voltage | 2.2~3.6V DC | | 2-6 使用环境 Operating environment | -30 ~ 70℃, 常湿 /Ordinary Humidity:65±20%RH | 无水气凝结 No condensation of moisture | 2-7 保存环境 Storage environment | -40 ~ 80℃, 常湿 /Ordinary Humidity:65±20%RH | 无水气凝结 No condensation of moisture |
| 项目/Item | 规格/Specifications | 条件·备注/Conditions & Remarks | | | | | | | | | | | | | | | | | | | | | | | | | | |
| 2-1 额定电压 Rated voltage | 3.0V DC | | | | | | | | | | | | | | | | | | | | | | | | | | | |
| 2-2 额定负荷 Rated load | 振子 Counterweight | 见 10. 外形图 As specified in 10. Outline Drawing | | | | | | | | | | | | | | | | | | | | | | | | | | |
| 2-3 旋转方向 Rotation | C.W/C.C.W (clockwise or counter clockwise) | | | | | | | | | | | | | | | | | | | | | | | | | | | |
| 2-4 马达位置 Motor position | 全方位 All position | | | | | | | | | | | | | | | | | | | | | | | | | | | |
| 2-5 使用电压范围 Operating voltage | 2.2~3.6V DC | | | | | | | | | | | | | | | | | | | | | | | | | | | |
| 2-6 使用环境 Operating environment | -30 ~ 70℃, 常湿 /Ordinary Humidity:65±20%RH | 无水气凝结 No condensation of moisture | | | | | | | | | | | | | | | | | | | | | | | | | | |
| 2-7 保存环境 Storage environment | -40 ~ 80℃, 常湿 /Ordinary Humidity:65±20%RH | 无水气凝结 No condensation of moisture | | | | | | | | | | | | | | | | | | | | | | | | | | |
| <p>3. 测定条件/Measuring Conditions</p> <table border="1"> <thead> <tr> <th>项目/Item</th> <th>规格/Specifications</th> <th>条件·备注/ Conditions & Remarks</th> </tr> </thead> <tbody> <tr> <td>3-1 温度 Temperature</td> <td>20±2℃</td> <td></td> </tr> <tr> <td>3-2 湿度 Humidity</td> <td>(63%~67%) RH</td> <td></td> </tr> <tr> <td>3-3 位置 Motor position</td> <td>轴向水平 Motor shaft horizontal</td> <td>将马达固定在试验台上 Lock the motor in a test fixture</td> </tr> </tbody> </table> <p>标准测试条件为温度 20℃, 湿度 65%。如无疑异, 也可在温度 5~35℃、湿度 45~85%的条件下测试。马达测试时, 放置方向为轴向水平。/The measurement at 20℃ & 65%RH is standard. If the judgment is not questionable, recognize measurement at 5℃ to 35℃ & relative humidity 45% to 85%. Direction of motor is shaft horizontal.</p> | | | | | 项目/Item | 规格/Specifications | 条件·备注/ Conditions & Remarks | 3-1 温度 Temperature | 20±2℃ | | 3-2 湿度 Humidity | (63%~67%) RH | | 3-3 位置 Motor position | 轴向水平 Motor shaft horizontal | 将马达固定在试验台上 Lock the motor in a test fixture | | | | | | | | | | | | |
| 项目/Item | 规格/Specifications | 条件·备注/ Conditions & Remarks | | | | | | | | | | | | | | | | | | | | | | | | | | |
| 3-1 温度 Temperature | 20±2℃ | | | | | | | | | | | | | | | | | | | | | | | | | | | |
| 3-2 湿度 Humidity | (63%~67%) RH | | | | | | | | | | | | | | | | | | | | | | | | | | | |
| 3-3 位置 Motor position | 轴向水平 Motor shaft horizontal | 将马达固定在试验台上 Lock the motor in a test fixture | | | | | | | | | | | | | | | | | | | | | | | | | | |
| <p>4. 机械要求/Mechanical Specifications</p> <table border="1"> <thead> <tr> <th>项目/Item</th> <th>规格/Specifications</th> <th>条件·备注/ Conditions & Remarks</th> </tr> </thead> <tbody> <tr> <td>4-1 结构 Configuration</td> <td>见 10. 外形图 As specified in 10. Outline Drawing</td> <td>Outline drawing No: Z6DL2B0055211</td> </tr> <tr> <td>4-2 外观 Appearance</td> <td>不含有机机械损坏及不充分的浸蚀等。 There shall be no evidence of mechanical damage and shall not have inadequate corrosion and so on</td> <td>目测 (容许范围根据样品外形) Visual examination(allowable extent is based on boundary sample)</td> </tr> <tr> <td>4-3 轴向间隙 Shaft end play</td> <td>0.1mm~0.3mm</td> <td rowspan="2">对单体马达的定义 Definition of the single motor</td> </tr> <tr> <td>4-4 振子固定力 Holding strength of vibration weight</td> <td>49N (5kgf) Min</td> </tr> </tbody> </table> | | | | | 项目/Item | 规格/Specifications | 条件·备注/ Conditions & Remarks | 4-1 结构 Configuration | 见 10. 外形图 As specified in 10. Outline Drawing | Outline drawing No: Z6DL2B0055211 | 4-2 外观 Appearance | 不含有机机械损坏及不充分的浸蚀等。 There shall be no evidence of mechanical damage and shall not have inadequate corrosion and so on | 目测 (容许范围根据样品外形) Visual examination(allowable extent is based on boundary sample) | 4-3 轴向间隙 Shaft end play | 0.1mm~0.3mm | 对单体马达的定义 Definition of the single motor | 4-4 振子固定力 Holding strength of vibration weight | 49N (5kgf) Min | | | | | | | | | | |
| 项目/Item | 规格/Specifications | 条件·备注/ Conditions & Remarks | | | | | | | | | | | | | | | | | | | | | | | | | | |
| 4-1 结构 Configuration | 见 10. 外形图 As specified in 10. Outline Drawing | Outline drawing No: Z6DL2B0055211 | | | | | | | | | | | | | | | | | | | | | | | | | | |
| 4-2 外观 Appearance | 不含有机机械损坏及不充分的浸蚀等。 There shall be no evidence of mechanical damage and shall not have inadequate corrosion and so on | 目测 (容许范围根据样品外形) Visual examination(allowable extent is based on boundary sample) | | | | | | | | | | | | | | | | | | | | | | | | | | |
| 4-3 轴向间隙 Shaft end play | 0.1mm~0.3mm | 对单体马达的定义 Definition of the single motor | | | | | | | | | | | | | | | | | | | | | | | | | | |
| 4-4 振子固定力 Holding strength of vibration weight | 49N (5kgf) Min | | | | | | | | | | | | | | | | | | | | | | | | | | | |

5. 性能特征/Performance and characteristics

| 项目/Item | 规格/ Specifications | 条件·备注/ Conditions & Remarks |
|---|-------------------------------|-----------------------------|
| 5-1 | 额定转速 Rated speed | 11,000±2,500rpm |
| 5-2 | 额定电流 Rated current | 70 mA Max |
| 5-3 | 起动电压 Starting voltage | 1.7V DC Max |
| 5-4 | 绝缘电阻 Insulation resistance | 1MΩ Min |
| 5-5 | 端子阻抗 Terminal resistance | 30Ω (±20%) |
| 5-7 | 机械噪音 Mechanical noise | 50dB(A)Max |
| <p>在额定电压、额定负载（振子）下 背景噪音：不大于 28dB.A 计权 测试仪器：B&k 夹具重量：700g At rated voltage and rated load (Counterweight). Back ground noise 28dB(A) Max Measuring instruments: B&k Weight of jig:700g</p> <div style="display: flex; justify-content: space-around; align-items: flex-end;"> <div style="text-align: center;">  <p>Fig. A</p> </div> <div style="text-align: center;">  <p>Fig. B</p> </div> <div style="text-align: center;">  <p>Fig. C</p> </div> </div> | | |

| | | | | | | | | |
|--------------------|-----------------------------|--|---|--------------|--|--|------------|---------------|
| 2016.10.26 | 说明书/Specification | 编号/No KOTL-B-16054 | 代码/code:0 | 5/9 | | | | |
| 6. 可靠性/Reliability | | | | | | | | |
| 项目/Item | | 规格/Specification | | | 判定标准/Judgment | | | |
| 6-1 | 寿命 Life time |  | | | <p>在常温常湿下放置 2h 后，马达应符合项 7-1 的要求。 After 2 hours exposure in ordinary temperature and humidity, Motors shall be approved as specified in item 7-1.</p> | | | |
| | | 位置 Position | 电压 Volt | 负荷 Load | | 温度 Temp | 湿度 Humi | 寿命 Life |
| | | 轴水平 Horizon | Rated 额定 | Weight 振子 | | 20°C | 65% | 500 Cycles |
| 6-2 | 低温放置 Low temp exposure | 温度 /Temperature: -40±2°C 时间 /Time: 96h | | | | <p>在常温常湿下放置 2h 后，马达应符合项 7-2 的要求。 After 2 hours exposure in ordinary temperature and humidity, Motors shall be approved as specified in item 7-2.</p> | | |
| 6-3 | 高温放置 High temp. Exposure | 温度 /Temperature: 60±2°C 时间 /Time: 96h | | | | | | |
| 6-4 | 湿度放置 Humidity exposure | 温度 /Temperature: 40±2°C 湿度 /Humidity: 90~95%RH 放置时间 /Exposure time: 96h 无水气凝结/No condensation of moisture | | | | | | |
| 6-5 | 振动 Vibration | 全振幅 /Displacement : 1.5mm (p-p) 频率 /Frequency: 10 ~ 55Hz 加速度 /Acceleration: 22m/s ² 周期 /Period: 20min 完成 10~55~10Hz /20 Minutes log sweep 10~55~10Hz 方向 /Direction: x, y, z 时间 /Time: 每个方向 2h /Each 2 hours | | | | <p>测试结果应符合项 7-2 的要求。 After the test motors shall be approved as specified in item 7-2.</p> | | |
| 6-6 | 自然跌落 Free fall | 试验状态/Test state:将马达固定在约 75 克(包括马达本身)的物体上，落向水泥地面。 Set the motor to the approximately 75g (include the motor) weight of block drop the motor on the concrete floor. 高度 /Height: 1.5m 方向 /Direction: 6 个面 / 6 faces 次数 /Number of times: 每个面 2 次 / Twice 2 each | | | | <p>测试结果应符合项 7-2 的要求。 After the test motors shall be approved as specified in item 7-2.</p> | | |
| 6-7 | 热冲击 Heat shock test | 试验循环 /Test cycle :20 cycles |  | | | <p>在常温常湿下放置 2h 后，马达应符合项 7-2 的要求。 After 2 hours exposure in ordinary temperature and humidity, Motors shall be approved as specified in item 7-2.</p> | | |

7. 要求/Requirements

| 项目/Item | | 判定基准 / Requirements |
|---------|----------------|---|
| 7-1 | 表 A Table A | 1) 额定转速/Rated speed: 不低于初始值-30%,不高于初始值+60% Initial data -30% Min, Initial data +60% Max 2) 额定电流/Rated current: 不大于初始值±30%/Initial data±30% max 3) 起动电压/Starting voltage: 2.0V DC Max |
| 7-2 | 表 B Table B | 1) 额定转速/Rated speed: 不大于初始值±30%/Initial data±30% max 2) 额定电流/Rated current: 不大于初始值±30%/Initial data±30% max 3) 起动电压/Starting voltage: 2.0V DC Max |

8. 使用时注意事项/Matters to be paid attention to when using motor

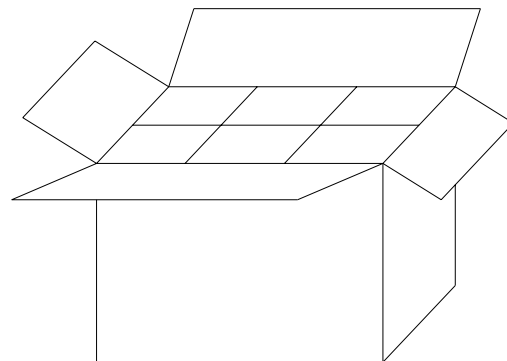
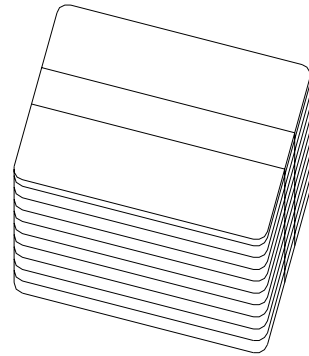
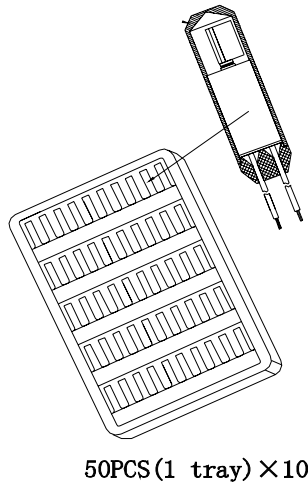
8-1 电机在运输过程中应小心轻放，避免严重碰撞敲击引起的电机机身和性能受损。(Please lay the motors carefully in transportation to avoid any serious damage to the motor body or its electric function because of collision.)

8-2 请按照规格书中规定的第 2 条(使用条件)来使用和存储电机，否则会影响电机性能。(Please use and storage motors according to N0.2 item (Operating Conditions) in specification, or else motor characteristics would be affected.)

8-3 请在 6 个月内使用。在使用和打开马达外包装时请避免水气凝结。(Make arrangement to limit the storage period to 6 months or less. Condensation of atmosphere must be avoided in motor usage or opening the packaging of the motor.)

8-4 马达应适当的操作、储存和运转环境中均不可存在腐蚀性气体。例如：H₂S、SO₂、NO₂、CL₂ 等。另外存储环境中不可有诸如硅、氰、甲醛水和苯酚等能放射出腐蚀性气体的物质，在电机的机械构造或装置中，如果存在腐蚀性气体，那么这会引起马达不运转。(For proper operation. storage and operating environment must not contain corrosive gases. For example H₂S. SO₂. NO₂. CL₂. etc. In addition storage environment must not have materials that emit corrosive gases especially from silicon. cyanic. formalin and phenol group. In the mechanism or the set. existence of corrosive gases may cause no rotation in motor.)

(Z6D) 圆柱马达包装 Packaging drawing of Z6D cylindrical motor



包装试验要求

1. 标准

- (1) 整箱重量小于等于9kg的, 跌落高度设定为75cm.
- (2) 整箱重量大于9kg但小于等于23kg的, 跌落高度设定为60cm.

2. 试验方法:

跌落要求为六面三棱一角.

- (1) 六面: 先从最大两面跌, 然后是中间大小的两面, 最后跌最小的两面, 一共六次.
- (2) 三棱: 指任选三条同一角的棱, 跌落秩序: 最长棱, 中间长度, 最短的, 一共三次.
- (3) 一角: 指上一步三条棱所组成的角, 跌落一次.

3. 判定基准

经过跌落试验后, 产品外观、性能无不良.

Package Test Requirement:

1. Criteria

- (1) The weight of the whole carton less than 9kg, the dropping height is 75cm.
- (2) The weight of the whole carton more than 9kg and less than 23kg, the dropping height is 60cm.

2. Test Methods:

Dropping requirement is 6 faces, 3 aris, 1 angle.

- (1) 6 faces: First dropping with two biggest faces, then dropping with another two middle faces, at last dropping with two smallest faces, once per face, total 6 faces.
- (2) 3 aris: Choose any 3 aris which make up of the same the angle, the dropping sequence is the longest aris, middle aris, shortest aris. Total 3 times.
- (3) 1 angle: Point to the angle which is made up with the 3 aris in the above step. Dropping for 1 time.

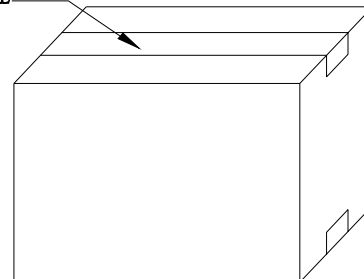
3. Judgement Criterion

After drop test, no evidence of damage on the appearance and performance.

Remarks:

- 1000PCS/CTN: 34cm × 24cm × 27.5cm
2000PCS/CTN: 47cm × 34cm × 27.5cm
3000PCS/CTN: 54cm × 47cm × 27.5cm

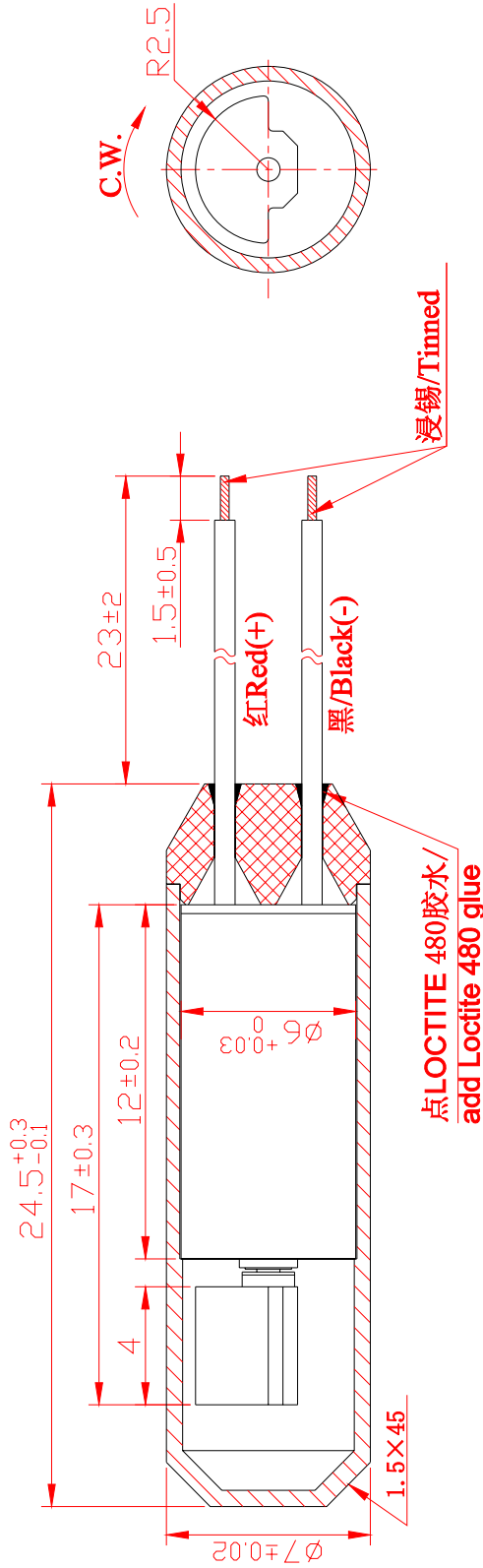
OPP TAPE



Z6DL2B0055211

技术要求/Technical Requirements

1. 额定电压/Rated voltage:3.0V
2. 额定电流/Rated current:70mA Max
3. 额定转速/Rated speed:11,000 ± 2500rpm
4. 端子阻抗/Terminal resistance:30Ω(±20%)
5. 启动电压/Starting voltage:1.7V Max
6. 轴向间隙/Shaft end play:0.1~0.3mm
7. 导线规格/Lead wire spec:AWG30 UL3302
8. 固定夹与封盖装配后缝隙应小于0.1mm/
Gap between fixed clamp and close cover after they are assembled should be less than 0.1mm
9. 未注线性公差为/Unmarked tolerance: ± 0.1mm



www.jinlong-machinery.com

借(通) 用件登记

底图总号

签字

日期

| | | | | | |
|-----|-----|------------|-----------|-----|------------|
| 标 记 | 处 数 | 分 区 | 更 改 文 件 号 | 签 名 | 日 期 |
| 设计 | 杨 兰 | 2016.10.26 | 标准化 | 陈文荣 | 2016.10.26 |
| 校对 | | | | | |
| 审核 | 郑景海 | 2016.10.26 | | | |
| 工艺 | | | 批 准 | 黄剑辉 | 2016.10.26 |

| | | | |
|---------------|--|-----|-----|
| 金龙机电股份有限公司 | | | |
| 外形图 | | | |
| 阶段标记 | | 重量 | 比例 |
| 共 页 | | 第 页 | 5:1 |
| Z6DL2B0055211 | | | |

