



Chipsmall Limited consists of a professional team with an average of over 10 year of expertise in the distribution of electronic components. Based in Hongkong, we have already established firm and mutual-benefit business relationships with customers from,Europe,America and south Asia,supplying obsolete and hard-to-find components to meet their specific needs.

With the principle of "Quality Parts,Customers Priority,Honest Operation,and Considerate Service",our business mainly focus on the distribution of electronic components. Line cards we deal with include Microchip,ALPS,ROHM,Xilinx,Pulse,ON,Everlight and Freescale. Main products comprise IC,Modules,Potentiometer,IC Socket,Relay,Connector.Our parts cover such applications as commercial,industrial, and automotives areas.

We are looking forward to setting up business relationship with you and hope to provide you with the best service and solution. Let us make a better world for our industry!



## Contact us

Tel: +86-755-8981 8866 Fax: +86-755-8427 6832

Email & Skype: info@chipsmall.com Web: www.chipsmall.com

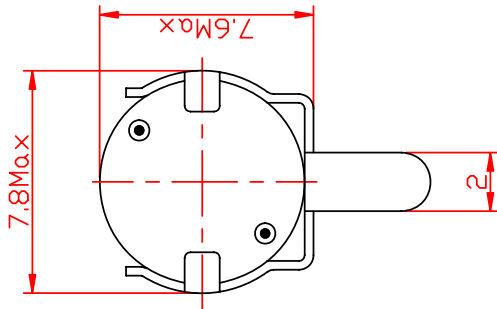
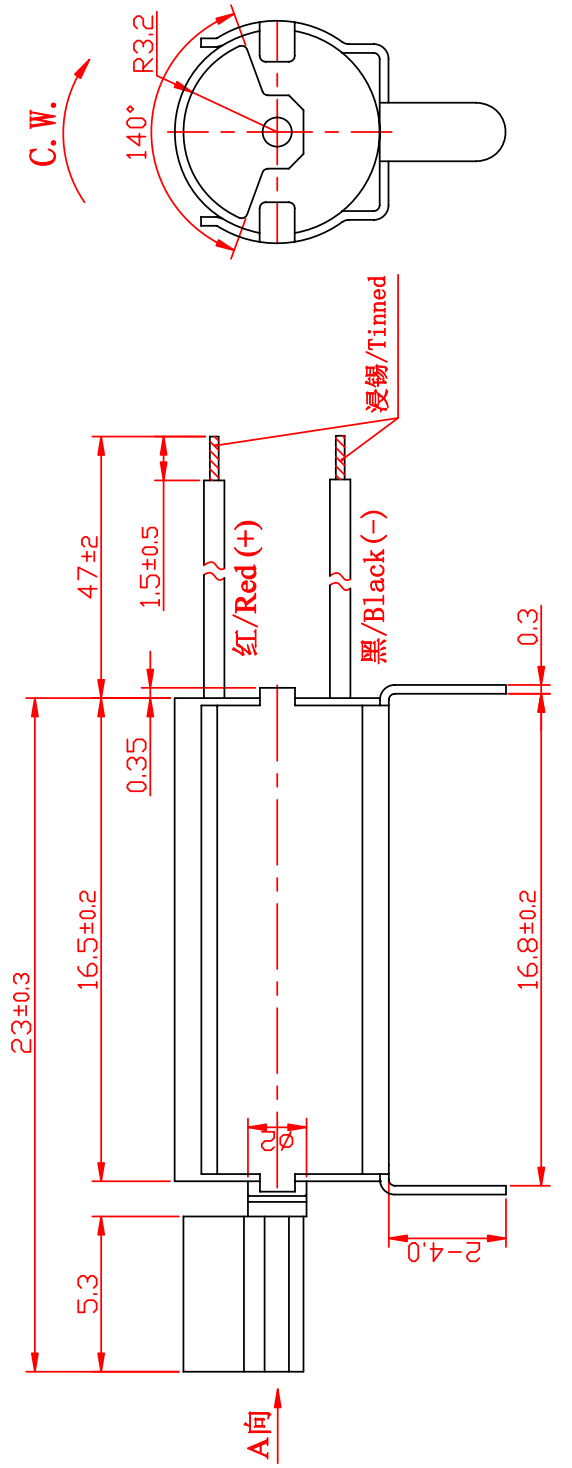
Address: A1208, Overseas Decoration Building, #122 Zhenhua RD., Futian, Shenzhen, China



Z7AL2B1692612

技术要求/Technic requirement

- 1.额定电压/Rated voltage:3.0V
- 2.额定电流/Rated current:250mA Max
- 3.额定转速/Rated speed:12000 ± 2500rpm
- 4.堵转电流/Stall current:680mA Max
- 5.端子阻抗/Terminal resistance:5.5Ω(±20%)
- 6.起动力矩/Starting torque:1.7V Max
- 7.轴向间隙/Shaft end play:0.1~0.3mm
- 8.导线规格/Lead spec: AWG30 UL1571
- 9.所有尺寸为A向压紧后的尺寸(不包括轴向间隙)  
/Overall length is measured after counterweight  
being pressed against body in direction A. (Shaft  
end play is not included.)
- 10.未注线性公差为/Unmarked tolerance: ± 0.1mm



www.jinlong-machinery.com

借(通)用件登记

底图总号

签字

日期

金龙机电股份有限公司

jinlong-machinery.com

外形图

Z7AL2B1692612

标记	处数	分区	更改文件号	签名	日期
设计			标准化		
校对					
审核					
工艺			批准		

阶段	标记	重量	比例
			4:1
共	页	第	页