



Chipsmall Limited consists of a professional team with an average of over 10 year of expertise in the distribution of electronic components. Based in Hongkong, we have already established firm and mutual-benefit business relationships with customers from,Europe,America and south Asia,supplying obsolete and hard-to-find components to meet their specific needs.

With the principle of "Quality Parts,Customers Priority,Honest Operation,and Considerate Service",our business mainly focus on the distribution of electronic components. Line cards we deal with include Microchip,ALPS,ROHM,Xilinx,Pulse,ON,Everlight and Freescale. Main products comprise IC,Modules,Potentiometer,IC Socket,Relay,Connector.Our parts cover such applications as commercial,industrial, and automotives areas.

We are looking forward to setting up business relationship with you and hope to provide you with the best service and solution. Let us make a better world for our industry!



Contact us

Tel: +86-755-8981 8866 Fax: +86-755-8427 6832

Email & Skype: info@chipsmall.com Web: www.chipsmall.com

Address: A1208, Overseas Decoration Building, #122 Zhenhua RD., Futian, Shenzhen, China



Customer Information Sheet

DRAWING No.: Z80-290

SHEET 2 OF 2

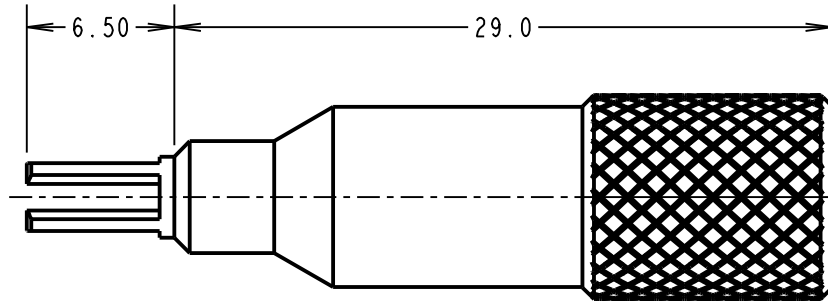
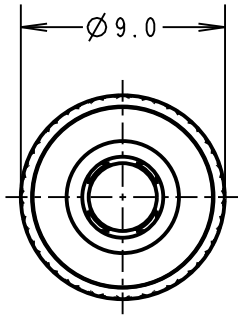
IF IN DOUBT - ASK

©

NOT TO SCALE

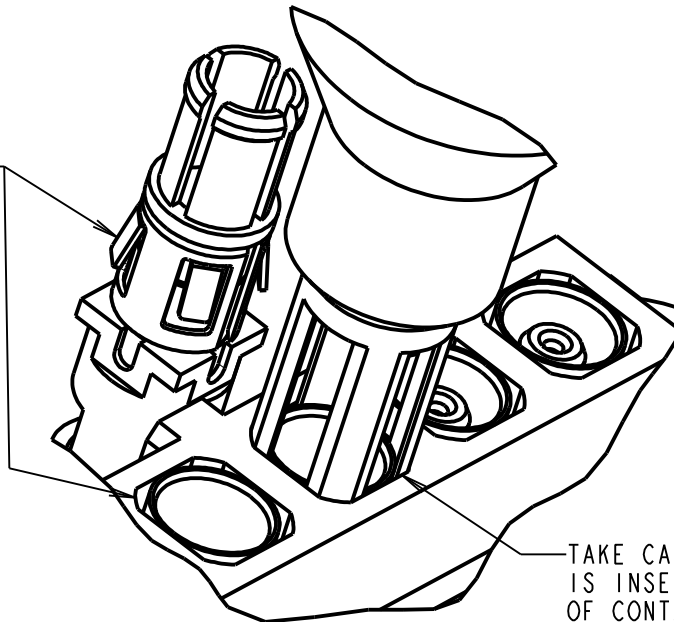
THIRD ANGLE PROJECTION

ALL DIMENSIONS IN mm

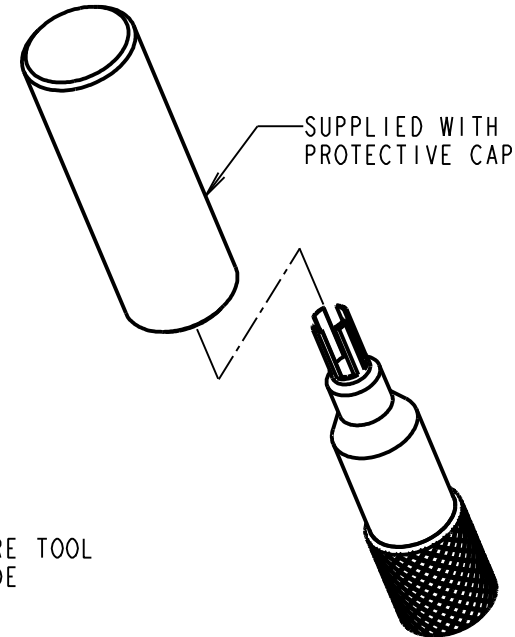


FOR REMOVAL OF CONTACT PART No.:
M80-305, M80-306, M80-307
M80-308, M80-309
M80-315, M80-316, M80-317
M80-318, M80-319
M80-325, M80-326, M80-327, M80-328, M80-329
M80-32A, M80-32B, M80-32C
M80-335, M80-336, M80-337, M80-338, M80-339

LINE UP TOOL WITH RETENTION FEATURE AND INSERT TO RELEASE CONTACT FROM MOULDING



TAKE CARE TO ENSURE TOOL IS INSERTED OUTSIDE OF CONTACT



SUPPLIED WITH PROTECTIVE CAP

SB	4	03.09.14	12561
NAME	ISS.	DATE	C/NOTE
APPROVED:		S.BENNETT	
CHECKED:		M.PLESTED	
DRAWN:		J.BROOKES	
CUSTOMER REF.:			
ASSEMBLY DRG:			

HARWIN

www.harwin.com
technical@harwin.com

THIS DRAWING AND ANY INFORMATION OR DESCRIPTIVE MATTER SET OUT HEREON ARE CONFIDENTIAL AND COPYRIGHT PROPERTY OF THE HARWIN GROUP AND MUST NOT BE DISCLOSED, LOANED, COPIED OR USED FOR MANUFACTURING, TENDERING OR FOR ANY OTHER PURPOSE WITHOUT THEIR WRITTEN PERMISSION.

TOLERANCES
X. = ±1mm
X.X = ±0.25mm
X.XX = ±0.10mm
X.XXX = ±0.01mm
ANGLES = ±5°
UNLESS STATED

MATERIAL:
TOOL = STAINLESS STEEL
CAP = BLACK NYLON
FINISH:
S/AREA: mm²

TITLE:
MIX TEK SPECIAL CONTACT
REMOVAL TOOL

DRAWING NUMBER:
Z80-290

SHT
2
OF
2