



Chipsmall Limited consists of a professional team with an average of over 10 year of expertise in the distribution of electronic components. Based in Hongkong, we have already established firm and mutual-benefit business relationships with customers from,Europe,America and south Asia,supplying obsolete and hard-to-find components to meet their specific needs.

With the principle of “Quality Parts,Customers Priority,Honest Operation,and Considerate Service”,our business mainly focus on the distribution of electronic components. Line cards we deal with include Microchip,ALPS,ROHM,Xilinx,Pulse,ON,Everlight and Freescale. Main products comprise IC,Modules,Potentiometer,IC Socket,Relay,Connector.Our parts cover such applications as commercial,industrial, and automotives areas.

We are looking forward to setting up business relationship with you and hope to provide you with the best service and solution. Let us make a better world for our industry!



Contact us

Tel: +86-755-8981 8866 Fax: +86-755-8427 6832

Email & Skype: info@chipsmall.com Web: www.chipsmall.com

Address: A1208, Overseas Decoration Building, #122 Zhenhua RD., Futian, Shenzhen, China



Customer Information Sheet

DRAWING No.: Z80-292

SHEET 2 OF 2

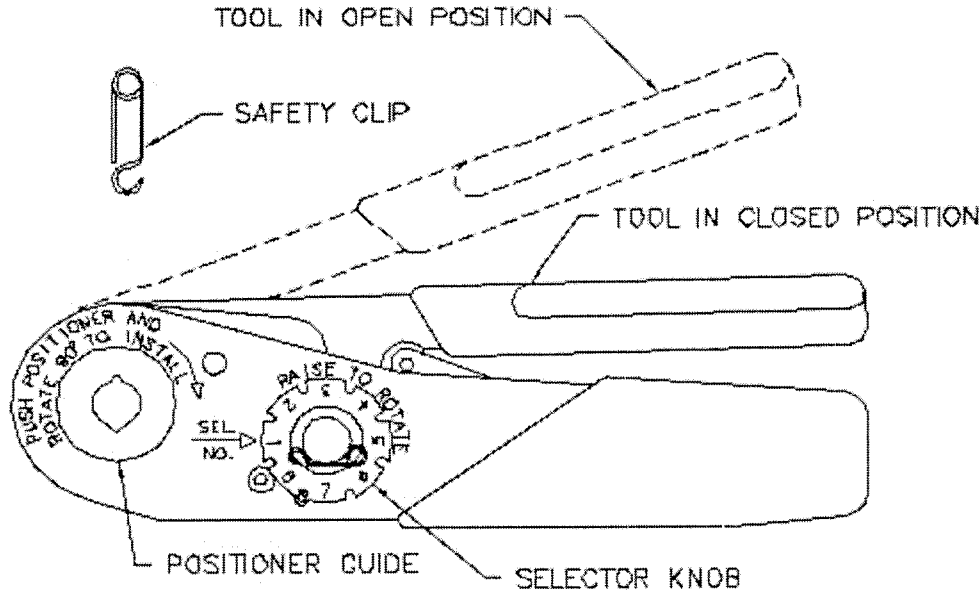
IF IN DOUBT - ASK

©

THIRD ANGLE PROJECTION

NOT TO SCALE

ALL DIMENSIONS IN mm



NOTES:

1. HAND CRIMP TOOL MUST BE USED WITH POSITIONER:

POSITIONER	CONTACT ASSY PART No.
Z80-291	M80-305
	M80-306
	M80-307
	M80-315
	M80-316
	M80-317

BMK	1	24.11.05	---
NAME	ISS.	DATE	C/NOTE
APPROVED: <i>[Signature]</i>			
CHECKED: <i>[Signature]</i>			
DRAWN:		B. M. KENT	
CUSTOMER REF:			
ASSEMBLY DRG:			

HARWIN

THIS INFORMATION AND ANY INFORMATION OR DESCRIPTIVE MATTER SET OUT HEREON ARE CONFIDENTIAL AND COPYRIGHT PROPERTY OF THE HARWIN GROUP AND MUST NOT BE DISCLOSED, LOANED, COPIED OR USED FOR MANUFACTURING, TENDERING OR FOR ANY OTHER PURPOSE WITHOUT THEIR WRITTEN PERMISSION.

TOLERANCES
 X. = ±1mm
 X.X = ±0.25mm
 X.XX = ±0.10mm
 X.XXX = ±0.01mm
ANGLES = ±5°
 UNLESS STATED

MATERIAL:
FINISH:
S/AREA:

TITLE:
 DATAMATE SPECIAL CONTACT
 HAND CRIMP TOOL
DRAWING NUMBER:
Z80-292
 SHT 2 OF 2

HARWIN INC
 U.S.A.
 TEL: (812) 285 0055
 FAX: (812) 285 0056

HARWIN PLC
 U.K.
 TEL: 023 9237 0451
 FAX: 023 9231 4590

HARWIN PTE
 SINGAPORE
 TEL: 65 7794909
 FAX: 65 7793868