



Chipsmall Limited consists of a professional team with an average of over 10 year of expertise in the distribution of electronic components. Based in Hongkong, we have already established firm and mutual-benefit business relationships with customers from,Europe,America and south Asia,supplying obsolete and hard-to-find components to meet their specific needs.

With the principle of “Quality Parts,Customers Priority,Honest Operation,and Considerate Service”,our business mainly focus on the distribution of electronic components. Line cards we deal with include Microchip,ALPS,ROHM,Xilinx,Pulse,ON,Everlight and Freescale. Main products comprise IC,Modules,Potentiometer,IC Socket,Relay,Connector.Our parts cover such applications as commercial,industrial, and automotives areas.

We are looking forward to setting up business relationship with you and hope to provide you with the best service and solution. Let us make a better world for our industry!



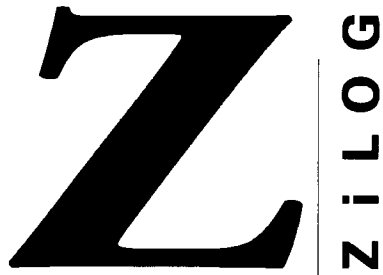
Contact us

Tel: +86-755-8981 8866 Fax: +86-755-8427 6832

Email & Skype: info@chipsmall.com Web: www.chipsmall.com

Address: A1208, Overseas Decoration Building, #122 Zhenhua RD., Futian, Shenzhen, China



*Totally Logical*

Z8927302ZAC

Z89273 ACCESSORY KIT

GENERAL DESCRIPTION

The Z8927302 Accessory Kit is specifically designed to enable the Z8932302ZEM Emulator to program the Z89273

PLCC OTP. In addition, the Accessory Kit provides the necessary in-circuit emulation of 44-pin PLCC devices.

SUPPORTED DEVICES

Packages	OTP Programming	In-Circuit Emulation
44-pin PLCC	Z89273	Z89223, Z89273

SPECIFICATIONS

Operating Temperature

20°C, ±10°C

Operating Humidity

10%–90% RH (noncondensing)

PACKAGE CONTENTS

Hardware

Z89273 PLCC Programming Adapter (99C0484-001)

Z89273 PLCC Emulation Pod w/ cable (93C0056-001)

Documentation

Data Sheet

Additional Items Required (Not Supplied)

Z8932301ZEM or Z8932302ZEM Emulator as OTP Programmer

DSP ICE GUI Software, version C3.12A or later

PROGRAMMING ADAPTER INSTALLATION PROCEDURE

1. Ensure that all necessary hardware and software is properly installed.
2. Plug the Programming Adapter into the 40-pin DIP socket of the ZEM emulator. Carefully align pin 1 of the adapter to pin 1 of the 40-pin socket.
3. Power up the system.
4. Start the DSP GUI application.
5. Open either the DSP Code Memory window or the Debug window.
6. Select the File menu to download the object code to be programmed.
7. Select the OTP menu item.
8. Make sure the device label faces up. Plug a Z89273 OTP device into the 44-pin PLCC ZIF socket of the programming adapter. Carefully align pin 1 of the OTP with the silk screen marker of pin 1 on the programming adapter board. Insert the OTP device gently, and let it sit tight and flat inside the ZIF socket.
9. Begin programming by clicking the Program button on the DSP GUI.
10. After successful programming, remove the device by pushing the socket down and popping the OTP device out of the socket.

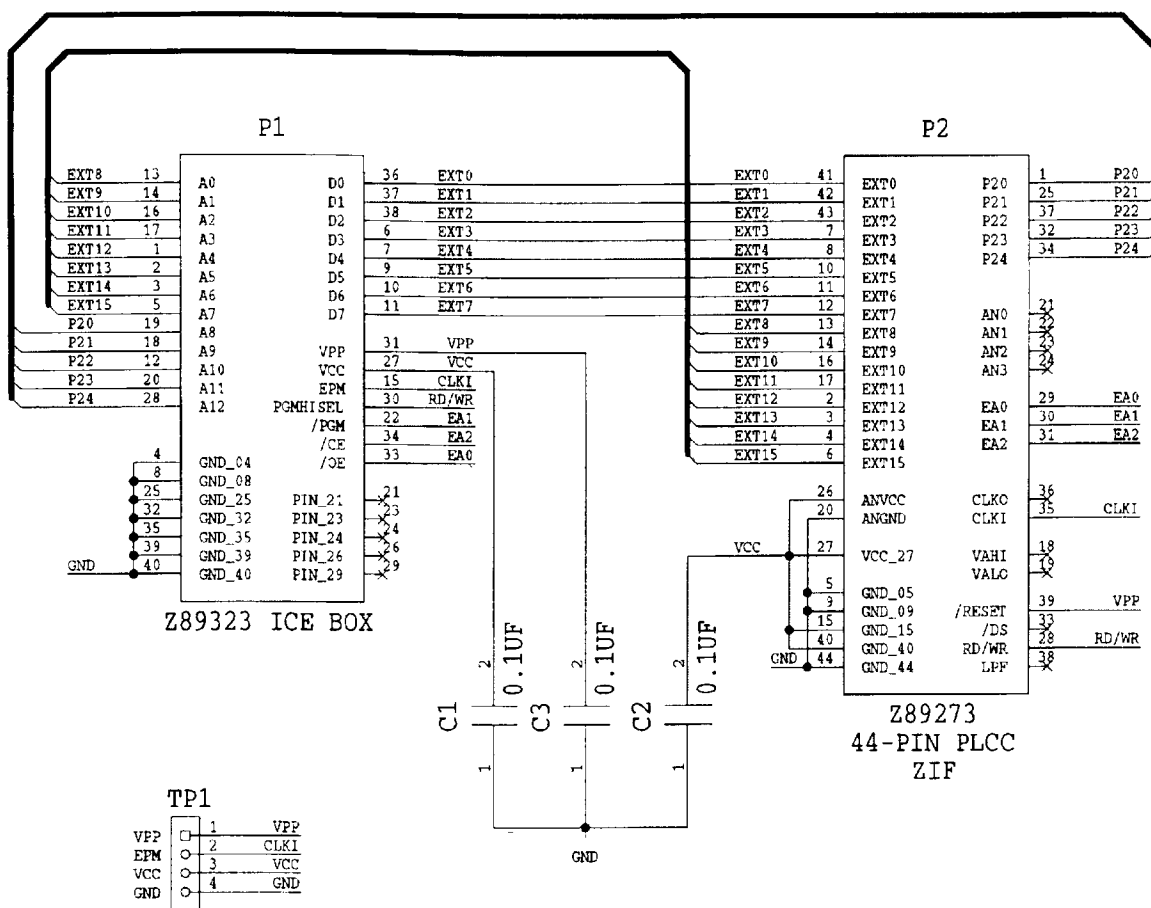


Figure 1. Schematic for Z89273 Programming Adapter

EMULATION POD INSTALLATION PROCEDURE

1. Ensure that all necessary emulator hardware and software is properly installed. Turn off all power associated with the emulator and target application.
2. Plug the Emulation Pod cable into the Yamaichi 40x2 pin connectors on the Z8932302ZEM. Plug the cable from P4 on the emulator pod to P2 on the Z8932302ZEM. Plug the cable from P3 on the emulator pod into P1 on the Z8932302ZEM.
3. Line up pin 1 on the emulator pod with pin 1 on the target application socket. Insert the pod into the socket.
4. Power up the emulator, then press the RESET button.
5. Power up the target application.
6. Open the Debug and the DSP Code Memory Windows.
7. Select the File menu to download the application or object code to be executed during emulation.
8. Begin emulation by pressing the GO button in the GUI Debug window.
9. After successful emulation, first power down the target application board.
10. Remove the emulation pod from the target.
11. Power down the emulator.

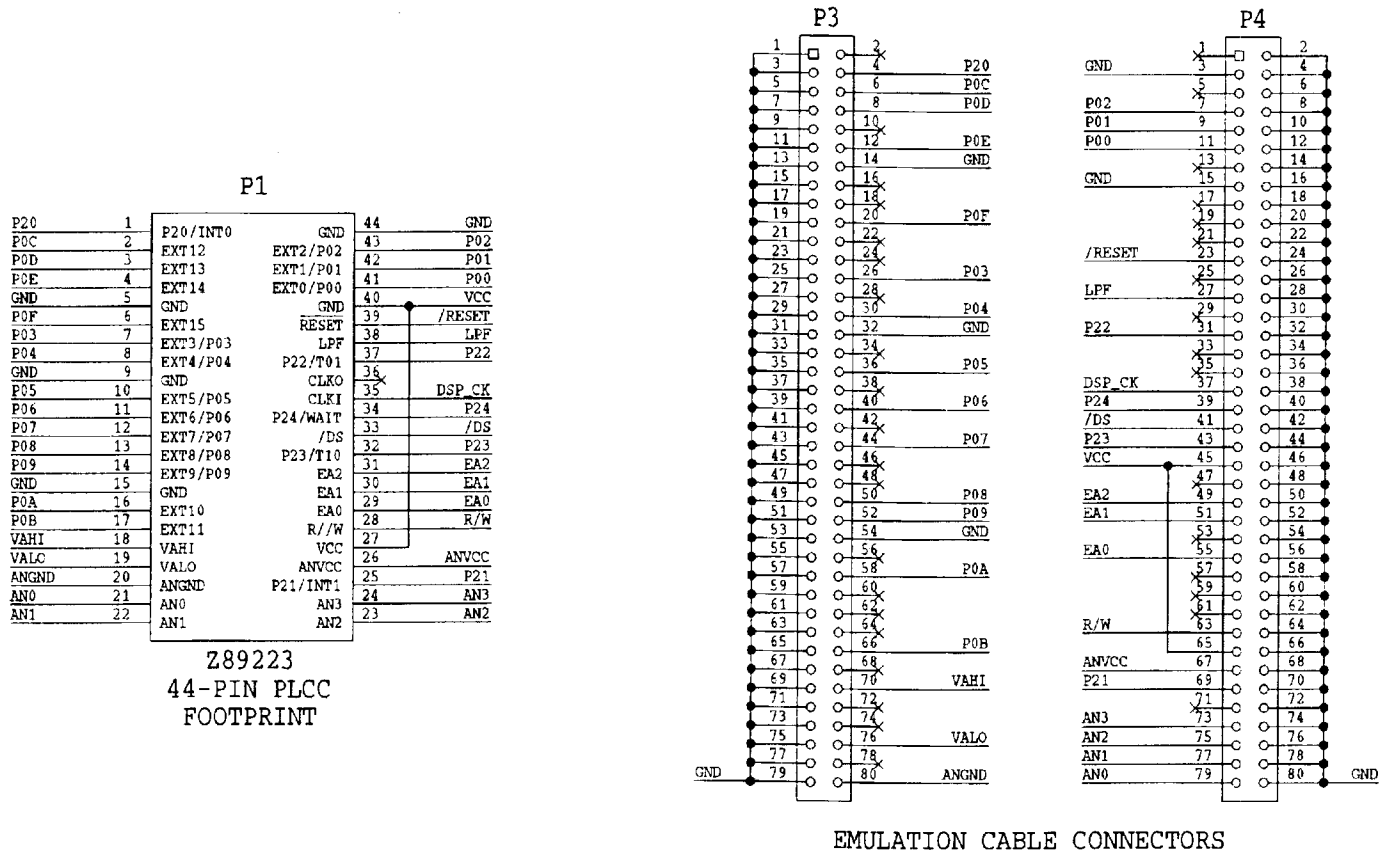


Figure 2. Schematic for Z89223 44-PLCC Emulation Pod

© 1998 by ZiLOG, Inc. All rights reserved. No part of this document may be copied or reproduced in any form or by any means without the prior written consent of ZiLOG, Inc. The information in this document is subject to change without notice. Devices sold by ZiLOG, Inc. are covered by warranty and patent indemnification provisions appearing in ZiLOG, Inc. Terms and Conditions of Sale only.

ZILOG, INC. MAKES NO WARRANTY, EXPRESS, STATUTORY, IMPLIED OR BY DESCRIPTION, REGARDING THE INFORMATION SET FORTH HEREIN OR REGARDING THE FREEDOM OF THE DESCRIBED DEVICES FROM INTELLECTUAL PROPERTY INFRINGEMENT. ZILOG, INC. MAKES NO WARRANTY OF MERCHANTABILITY OR FITNESS FOR ANY PURPOSE.

ZiLOG, Inc. shall not be responsible for any errors that may appear in this document. ZiLOG, Inc. makes no commitment to

update or keep current the information contained in this document.

ZiLOG's products are not authorized for use as critical components in life support devices or systems unless a specific written agreement pertaining to such intended use is executed between the customer and ZiLOG prior to use. Life support devices or systems are those which are intended for surgical implantation into the body, or which sustains life whose failure to perform, when properly used in accordance with instructions for use provided in the labeling, can be reasonably expected to result in significant injury to the user.

ZiLOG, Inc.
910 East Hamilton Avenue, Suite 110
Campbell, CA 95008
Telephone (408) 558-8500
FAX 408 558-8300
Internet: <http://www.zilog.com>
