



Chipsmall Limited consists of a professional team with an average of over 10 year of expertise in the distribution of electronic components. Based in Hongkong, we have already established firm and mutual-benefit business relationships with customers from,Europe,America and south Asia,supplying obsolete and hard-to-find components to meet their specific needs.

With the principle of “Quality Parts,Customers Priority,Honest Operation,and Considerate Service”,our business mainly focus on the distribution of electronic components. Line cards we deal with include Microchip,ALPS,ROHM,Xilinx,Pulse,ON,Everlight and Freescale. Main products comprise IC,Modules,Potentiometer,IC Socket,Relay,Connector.Our parts cover such applications as commercial,industrial, and automotives areas.

We are looking forward to setting up business relationship with you and hope to provide you with the best service and solution. Let us make a better world for our industry!



## Contact us

Tel: +86-755-8981 8866 Fax: +86-755-8427 6832

Email & Skype: info@chipsmall.com Web: www.chipsmall.com

Address: A1208, Overseas Decoration Building, #122 Zhenhua RD., Futian, Shenzhen, China





# CombiCard 1000-3000 / CombiSet 500

The modular system for this series of enclosures allows optimal integration of electronic components

- 4 widths
- The depth can be varied by combining the components (not with CC 500)
- Various fronts
- Optional rear element with separate terminal compartment (not with CC 500)
- Definable access protection
- Installation of 19" components possible
- Comprehensive range of accessories



<b>Colour</b>	Base elements light grey, similar to RAL 7035; front lid FD...G crystal-clear, front and rear elements graphite grey, similar to RAL 7024; special colours on request
<b>Protection class</b>	Up to IP 65/DIN EN 60529, depending on the version
<b>Enclosure material</b>	ABS; PC (only FD...G), seal made of EPDM; for details see Technical Information

When selecting CombiCard system parts, please note that all front, base and rear elements can be individually combined. The enclosure parts can be connected with special hinges to allow them to swivel. All front and rear parts can also be mounted directly without base elements. Mounting of the selected configuration is by means of tie bars. We recommend that you have processing and mounting of the system parts carried out in our factory. More information can be found on the following pages.





Front lid FD ... G, crystal-clear, also available in graphite grey



Open front frame



Closed front frame



Open front frame with protective door



Basic element BC... in 2 depths



Basic element BC ... L with air vents



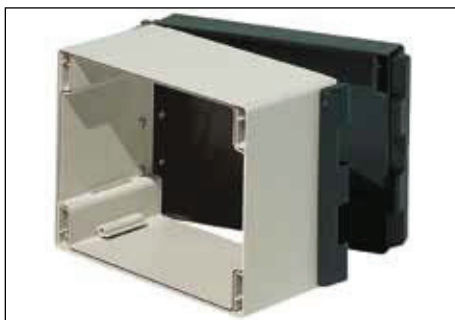
Basic element for control panel mounting



Rear lid RD ... K with terminal compartment; rear lid with large terminal compartment RD... GK



Front lid hinge SC 1230 with FD ... G and BC ...



Various hinge possibilities for the system components



ZA tie bar required for mounting of the enclosure parts



19" internal constructions for backplanes or connectors acc. to DIN EN 60603-2



CC 500



CC 500 TK with hinged front, IP 65



CC 500 NG control panel mounting enclosure

# CombiCard 1000-3000 fronts



Front lid, IP 65

Model	Order no.	A	B	C	a1	a2
FD 1000	19002700	133,4	138	34,1	126,2	106,2
FD 2000	19002800	184,2	138	34,1	177	157
FD 3000	19002900	280,72	138	34,1	273,52	253,52

Scope of delivery: Front lid, screws

Note: Hinges, lock and knurled screws as accessories.

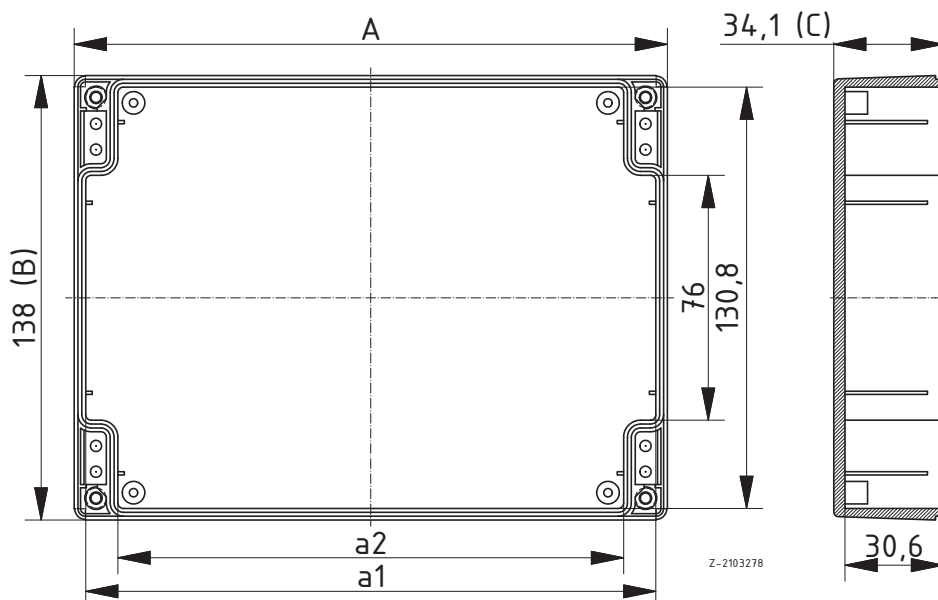


Front lid, crystal-clear, IP 65

Model	Order no.	A	B	C	a1	a2
FD 1000 G	19003000	133,4	138	34,1	126,2	106,2
FD 2000 G	19003100	184,2	138	34,1	177	157
FD 3000 G	19003200	280,72	138	34,1	273,52	253,52

Scope of delivery: Front lid, screws

Note: Hinges, lock and knurled screws as accessories.



# CombiCard 1000-3000 fronts

## Closed front frame for accommodating membrane keypads, IP 65

Model	Order no.	A	B	C	a1	a2
FR 1000	19002400	133,4	138	33,6	126,2	99,2
FR 2000	19002500	184,2	138	33,6	170	150
FR 3000	19002600	280,72	138	33,6	273,52	246,52

Scope of delivery: Closed front frame, screws

Note: Hinges, lock and knurled screws as accessories.



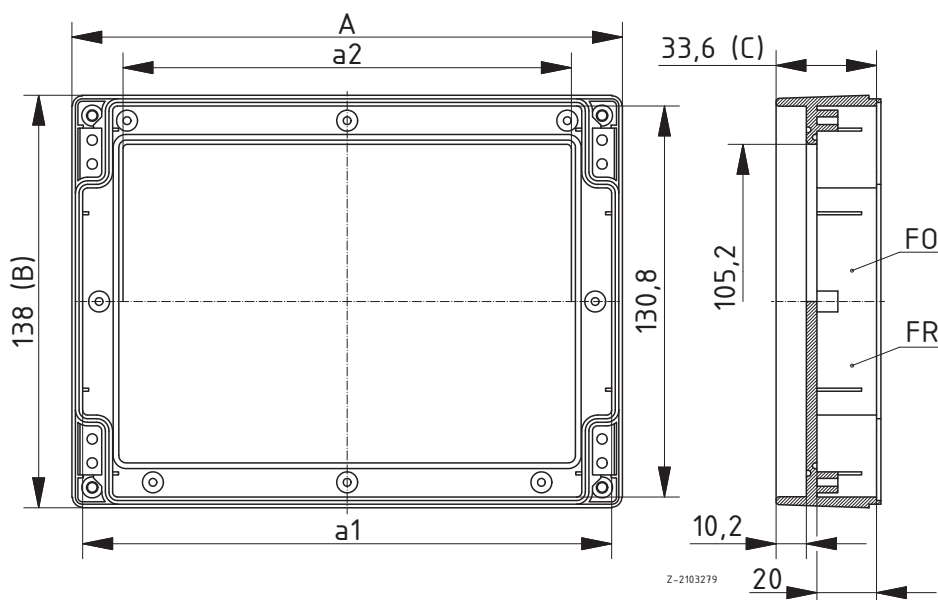
## Open front frame, IP 65 / IP 40

Model	Order no.	A	B	C	a1	a2
FO 1000	19002100	133,4	138	33,6	126,2	99,2
FO 2000	19002200	184,2	138	33,6	177	150
FO 3000	19002300	280,72	138	33,6	273,52	246,52

Scope of delivery: Open front frame, screws, mounting material and seal for front panel FP...AI

Note: Hinges, lock, knurled screws and front panels as accessories.

IP 65 with FP...AI; IP 40 with FP...AA.



# CombiCard 1000-3000 fronts



## Open front frame with protective door, IP 65 / IP 20

Model	Order no.	A	B	C	a1	a2
FCT 1000 FP	19005700	133,4	138	50	127,4	99,2
FCT 2000 FP	19006100	184,2	138	50	178,2	150
FCT 3000 FP	19006500	280,72	138	50	274,72	246,52

Scope of delivery: Open front frame with snap-on protective door, screws, mounting material and seal for front panel FP...AI

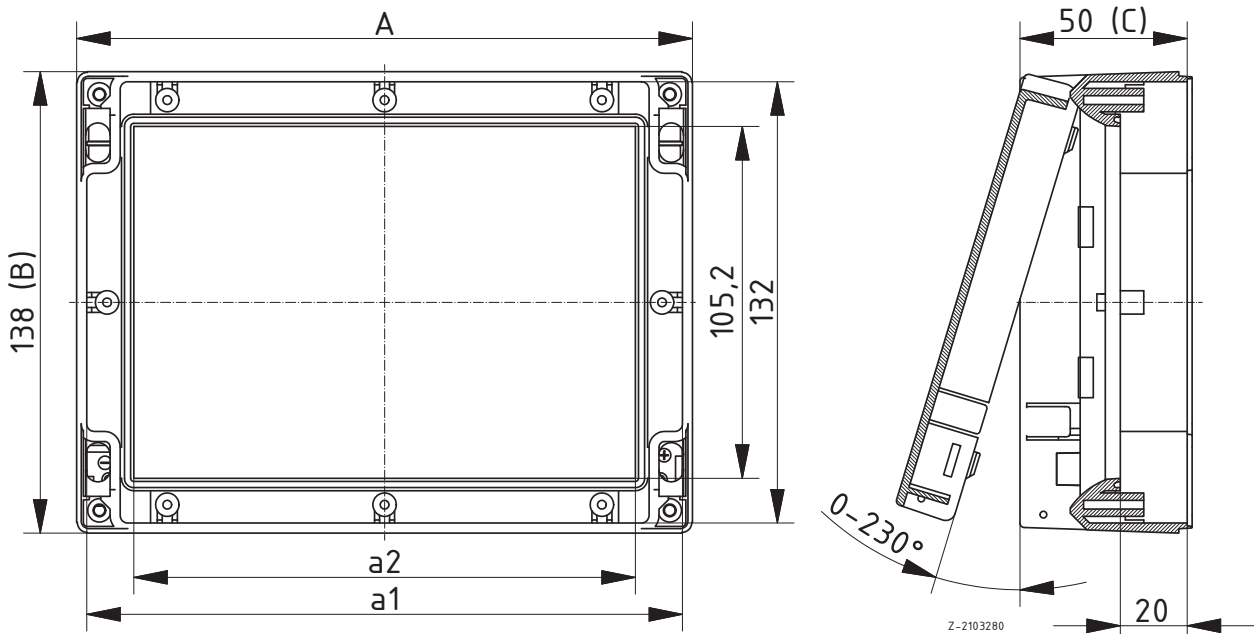
Note: Front panels as accessories.  
IP 65 for connection module; IP 20 for protective door.

## Cylinder catch

Model	Order no.
SCHLO-101	21008300

Scope of delivery: 1 lock, 2 keys

Note: 2 cylinder catches are needed for secure locking.





# CombiCard 1000-3000 basic elements

## Basic element, IP 65

Model	Order no.	A	B	C	a1	a2
BC 1000	19000100	133,4	138	87,5	126,2	106,2
BC 2000	19000200	184,2	138	87,5	177	157
BC 3000	19000300	280,72	138	87,5	273,52	253,52

Scope of delivery: Base element with seal



## Basic element with air vents, IP 30

Model	Order no.	A	B	C	a1	a2
BC 1000 L	19000400	133,4	138	87,5	126,2	106,2
BC 2000 L	19000500	184,2	138	87,5	177	157
BC 3000 L	19000600	280,72	138	87,5	273,52	253,52

Scope of delivery: Base element with air vents, without seal



## Basic element, low, IP 65

Model	Order no.	A	B	C	a1	a2
BC 1000 N	19000110	133,4	138	51	126,2	106,2
BC 2000 N	19000230	184,2	138	51	177	157
BC 3000 N	19000310	280,72	138	51	273,52	253,52

Scope of delivery: Base element with seal

Note: A tie bar set ZA...N must be used in connection with a basic element BC...N. If two or more BC...N elements are used in a configuration, a special tie bar – available on request – must be used.



# CombiCard 1000-3000 basic elements



Basic element for control panel mounting, IP 65

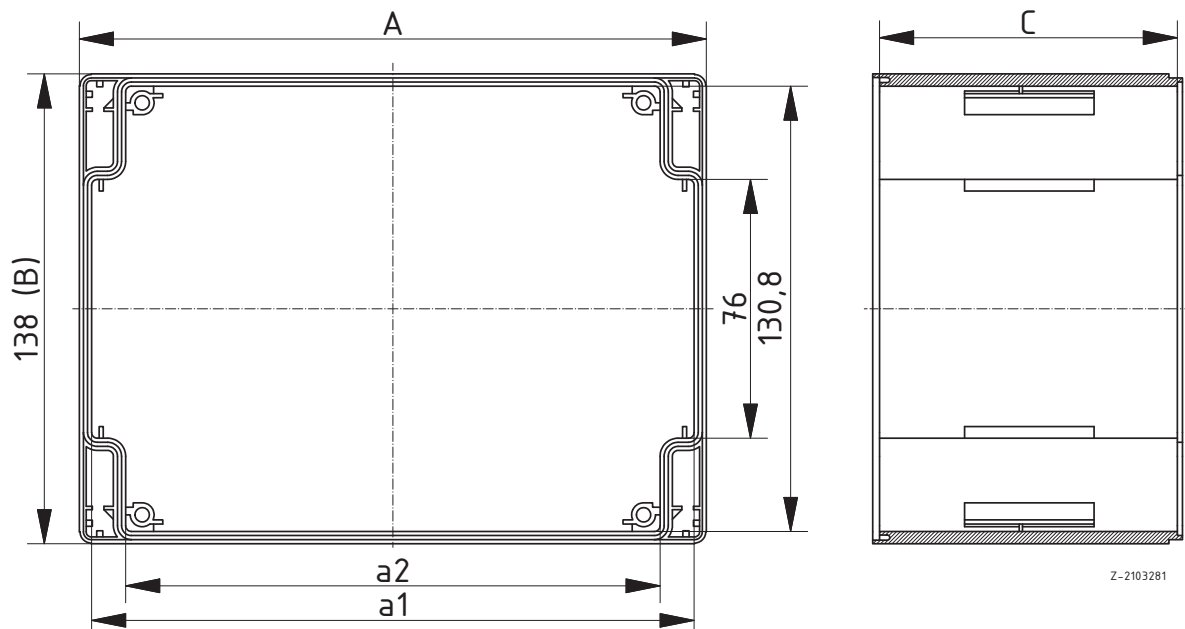
Model	Order no.	A	B	C	a1	a2
BC 1000 NG	19001900	133,4	138	87,5	126,2	106,2
BC 2000 NG	19002000	184,2	138	87,5	177	157
BC 3000 NG	19001910	280,72	138	87,5	273,52	253,52

Scope of delivery: Base part with seal including integrated assembly kit for control panel mounting

Note: The degree of protection refers to the enclosure, not to the place of installation.

DIN IEC 61554 dimensions

BC 1000 NG:	144 x 144 mm
BC 2000 NG:	192 x 144 mm
BC 3000 NG:	288 x 144 mm



Z-2103281

# CombiCard 1000-3000 rear lid

## Rear lid, low, IP 65

Model	Order no.	A	B	C	a1	a2	c1
RD 1000	19003900	133,4	138	29,6	126,2	106,2	26,1
RD 2000	19004000	184,2	138	29,6	177	157	26,1
RD 3000	19004100	280,72	138	29,6	273,52	253,52	

Scope of delivery: Rear lid with seal, screws



## Rear lid, high, IP 65

Model	Order no.	A	B	C	a1	a2	c1
RD 1000 H	19004200	133,4	138	48	126,2	106,2	44,5
RD 2000 H	19004300	184,2	138	48	177	157	44,5
RD 3000 H	19004400	280,72	138	48	273,52	253,52	

Scope of delivery: Rear lid with seal, screws

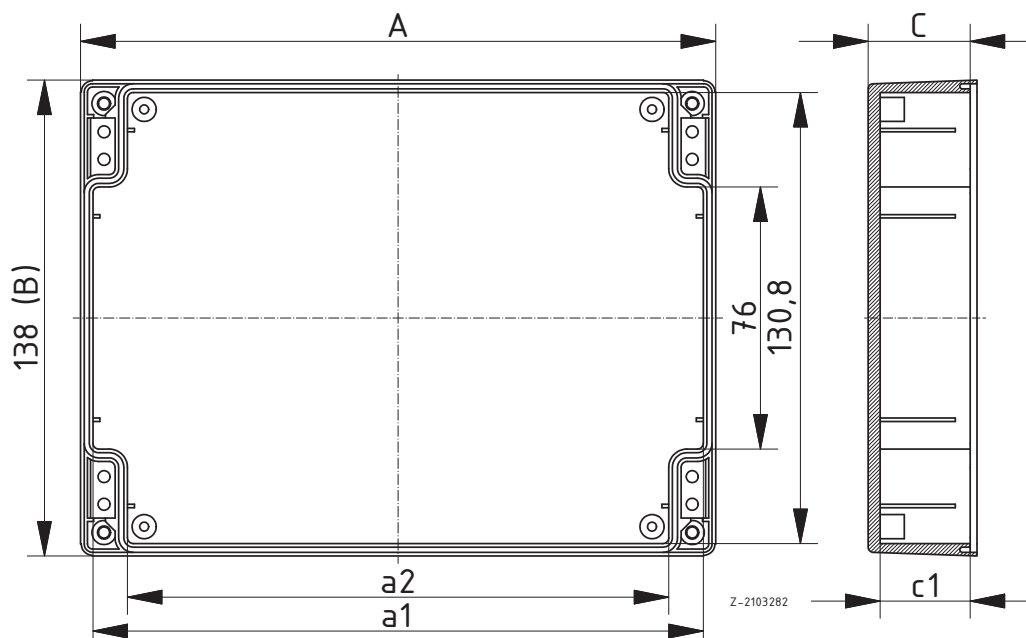


## Rear lid, high, with hinges on both sides, IP 65

Model	Order no.	A	B	C	a1	a2	c1
RD 1000 HSC	19004500*	133,4	138	48	126,2	106,2	44,5
RD 2000 HSC	19004600*	184,2	138	48	177	157	44,5
RD 3000 HSC	19004700*	280,72	138	48	273,52	253,52	44,5

Scope of delivery: Rear lid with seal including moulded-on hinges on both sides and mounting material for attaching to the front-fitted system component

Note: \* = Available on request. We recommend factory mounting.



## CombiCard 1000-3000 rear lid



Rear lid with terminal compartment, IP 65

Model	Order no.	A	B	C	a1	a2	a3
RD 1000 K	19004800	133,4	193	48	126,2	106,2	104,2
RD 2000 K	19004900	184,2	193	48	177	157	155
RD 3000 K	19005000	280,72	193	48	273,52	253,52	251,52

Scope of delivery: Rear lid, terminal compartment lid, seals, screws



Rear lid with large terminal compartment, IP 65

Model	Order no.	A	B	C	a1	a2	a3
RD 1000 G-K	19131100	133,4	193	48	126,2	106,2	104,2
RD 2000 G-K	19231100	184,2	193	48	177	157	155
RD 3000 G-K	19331100	280,72	193	48	273,52	253,52	251,52

Scope of delivery: Rear lid, terminal compartment lid, seals, screws



Rear lid with terminal compartment and hinges on both sides, IP 65

Model	Order no.	A	B	C	a1	a2	a3
RD 1000 KSC	19005100	133,4	193	48	126,2	106,2	104,2
RD 2000 KSC	19005200	184,2	193	48	177	157	155
RD 3000 KSC	19005300	280,72	193	48	273,52	253,52	251,52

Scope of delivery: Rear lid, terminal compartment lid, seals, screws, hinge elements and mounting material for attaching to the front-fitted system component

Note: we recommend factory mounting.

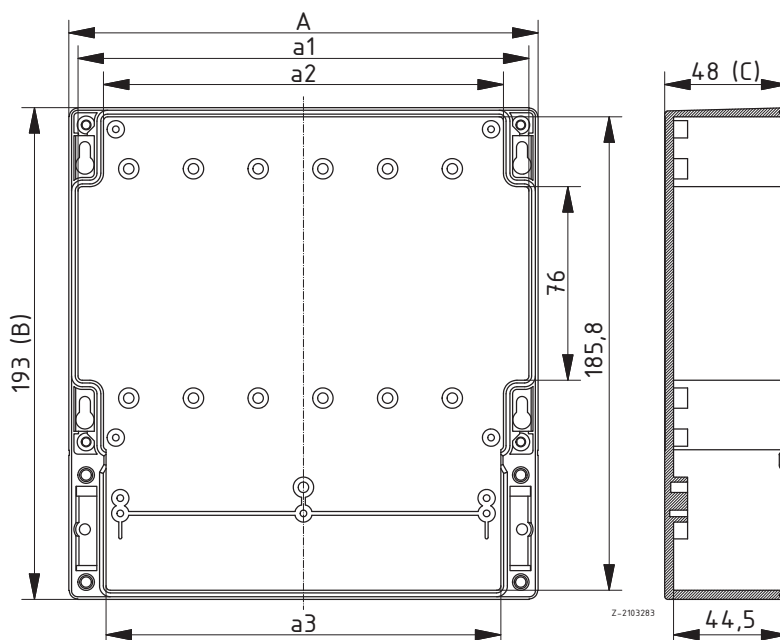
# CombiCard 1000-3000 rear lid

Rear lid with large terminal compartment and hinges on both sides, IP 65

Model	Order no.	A	B	C	a1	a2	a3
RD 1000 G-KSC	19131200	133,4	193	48	126,2	106,2	104,2
RD 2000 G-KSC	19231200	184,2	193	48	177	157	155
RD 3000 G-KSC	19331200	280,72	193	48	273,52	253,52	251,52

Scope of delivery: Rear lid, terminal compartment lid, seals, screws, hinge elements and mounting material for attaching to the front-fitted system component

Note: we recommend factory mounting.



# CombiCard 1000-3000 hinges



**Front lid hinge, light grey, for fronts and basic elements or fronts and rear lids**

<b>Model</b>	<b>Order no.</b>
SC 1230	39500000

Scope of delivery: 1 hinge

Note: Opening angle approx. 135°.

Not for use with BC...NG.



**Front lid hinge, light grey, for fronts and basic elements for control panel mounting**

<b>Model</b>	<b>Order no.</b>
SC 1230 NG	39501000

Scope of delivery: 1 hinge

Note: Opening angle approx. 100°. Mounting on the BC...NG must take place in the factory.



**Rear lid hinge, graphite grey, for basic elements and rear lid**

<b>Model</b>	<b>Order no.</b>
SC 1230 R	39503000

Scope of delivery: 1 hinge

Note: Opening angle approx. 135°.

When mounted on a wall, can only be used with lock. Use tie bars in same way as with rear-mounted double hinge.



**Rear lid hinges on both sides, graphite grey, for basic elements and rear lid**

<b>Model</b>	<b>Order no.</b>
DSC 1230	39502000

Scope of delivery: 1 hinge

Note: Opening angle approx. 135°.

We recommend factory-processing of the hinge-fitting of the system component positioned in front.  
Price on request.

# CombiCard 1000-3000 tie bar

**Tie bar for mounting the fronts, basic elements (height 87.5 mm) and rear lids**

Model	Order no.	Note
ZA 0050	39900000	For 1 front element, 1 rear element, with hinge on one side
ZA 0100	39901000	For 1 front element and 1 rear element
ZA 0200	39902000	For 1 rear element, 1 base element and 1 aluminium front panel
ZA 0300	39903000*	For 1 rear element, 1 base element and 1 aluminium front panel, with rear hinge on both sides
ZA 0400	39904000	For 1 rear element, 1 base element and 1 front element
ZA 0500	39905000	For 1 rear element, 1 base element and 1 front element, with front hinge on one side
ZA 0600	39906000	For 1 rear element, 1 base element and 1 front element, with rear hinge on both sides
ZA 0700	39907000	For 1 rear element, 1 base element and 1 front element, with rear hinge on both sides and front hinge on one side
ZA 0800	39908000	For 1 rear element, 2 base elements and 1 aluminium front panel or 19" IB
ZA 0900	39909000*	For 1 rear element, 2 base elements and 1 aluminium front panel or 19" IB with rear hinge on both sides
ZA 0010	39910000	For 1 rear element, 2 base elements and 1 front element
ZA 0110	39911000	For 1 rear element, 2 base elements and 1 front element, with front hinge on one side
ZA 0120	39912000*	For 1 rear element, 2 base elements and 1 front element, with rear hinge on both sides
ZA 0130	39913000	For 1 rear element, 2 base elements and 1 front element, with rear hinge on both sides and front hinge on one side
ZA 0140	39914000*	For 1 rear element, 3 base elements and 1 aluminium front panel or 19" IB
ZA 0150	39915000*	For 1 rear element, 3 base elements and 1 aluminium front panel or 19" IB with rear hinge on both sides
ZA 0160	39916000*	For 1 rear element, 3 base elements and 1 front element
ZA 0170	39917000	For 1 rear element, 3 base elements and 1 front element, with front hinge on one side
ZA 0180	39918000*	For 1 rear element, 3 base elements and 1 front element, with rear hinge on both sides
ZA 0190	39919000*	For 1 rear element, 3 base elements and 1 front element, with rear hinge on both sides and front hinge on one side

Scope of delivery: 1 tie bar set

Note: \* = Available on request.

If only 87.5 mm high basic elements are contained in the configuration, a tie bar set without "N" must be used.



## CombiCard 1000-3000 tie bar



### N tie bars for mounting of the fronts, basic elements BC...N and rear lid

Model	Order no.	Note
ZA 0200 N	39902100	For 1 rear element, 1 base element and 1 aluminium front panel
ZA 0300 N	39903100*	For 1 rear element, 1 base element and 1 aluminium front panel, with rear hinge on both sides
ZA 0400 N	39904100	For 1 rear element, 1 base element and 1 front element
ZA 0500 N	39905100	For 1 rear element, 1 base element and 1 front element, with front hinge on one side
ZA 0600 N	39906100	For 1 rear element, 1 base element and 1 front element, with rear hinge on both sides
ZA 0700 N	39907100	For 1 rear element, 1 base element and 1 front element, with rear hinge on both sides and front hinge on one side
ZA 0800 N	39908100	For 1 rear element, 2 base elements and 1 aluminium front panel or 19" IB
ZA 0900 N	39909100*	For 1 rear element, 2 base elements and 1 aluminium front panel or 19" IB with rear hinge on both sides
ZA 0010 N	39910100	For 1 rear element, 2 base elements and 1 front element
ZA 0110 N	39911100	For 1 rear element, 2 base elements and 1 front element, with front hinge on one side
ZA 0120 N	39912100*	For 1 rear element, 2 base elements and 1 front element, with rear hinge on both sides
ZA 0130 N	39913200	For 1 rear element, 2 base elements and 1 front element, with rear hinge on both sides and front hinge on one side
ZA 0140 N	39914100*	For 1 rear element, 3 base elements and 1 aluminium front panel or 19" IB
ZA 0150 N	39915100*	For 1 rear element, 3 base elements and 1 aluminium front panel or 19" IB with rear hinge on both sides
ZA 0160 N	39916100*	For 1 rear element, 3 base elements and 1 front element
ZA 0170 N	39917100	For 1 rear element, 3 base elements and 1 front element, with front hinge on one side
ZA 0180 N	39918100*	For 1 rear element, 3 base elements and 1 front element, with rear hinge on both sides
ZA 0190 N	39919100*	For 1 rear element, 3 base elements and 1 front element, with rear hinge on both sides and front hinge on one side

Scope of delivery: 1 tie bar set

Note: \* = Available on request.

If the configuration includes a BC...N basic element, a tie bar set "N" is needed. If two or more BC...N elements are included, a special tie bar – available on request – must be used.



# CombiCard 1000-3000 accessories

## External front panels for FO..., natural-coloured anodised aluminium, IP 40

Model	Order no.
FP 1000 AA	39103000*
FP 2000 AA	39104000*
FP 3000 AA	39105000*

Scope of delivery: 1 front panel, fixing material

Note: \* = Available on request.



## Internal front panels for FO..., natural-coloured anodised aluminium, IP 65

Model	Order no.
FP 1000 AI	39100000
FP 2000 AI	39101000
FP 3000 AI	39102000

Scope of delivery: 1 front panel



## Front panels for BC..., natural-coloured anodised aluminium, IP 40

Model	Order no.
FA 1000	39106000*
FA 2000	39107000*
FA 3000	39108000*

Scope of delivery: 1 front panel, fixing material

Note: \* = Available on request.

Please use special tie bar sets.



## Internal front panels for BC... in connection with 1 front, natural-coloured anodised aluminium

Model	Order no.
FA 1000 I	39109000*
FA 2000 I	39110000*
FA 3000 I	39111000*

Scope of delivery: 1 front panel, fixing material

Note: \* = Available on request. Same protection class as front element.



## Mounting panel for rear lid

Model	Order no.
MR 1000	39700000
MR 2000	39701000
MR 3000	39702000

Scope of delivery: 1 mounting panel, fixing material



# CombiCard 1000-3000 accessories

## Mounting panel for rear lid with terminal compartment



Model	Order no.
MR 1000 K	39703000
MR 2000 K	39704000
MR 3000 K	39705000

Scope of delivery: 1 mounting panel, fixing material

## Wall frame for low rear lid



Model	Order no.
WR 1000	39604000
WR 2000	39605000
WR 3000	39606000

Scope of delivery: Wall frame, 4 screws

## Wall frame for high rear lid and rear lid with terminal compartment



Model	Order no.
WR 1000 H	39607000
WR 2000 H	39608000
WR 3000 H	39609000

Scope of delivery: Wall frame, 4 screws

## Tip-up feet



Model	Order no.	Note
AB 1230	39603000	Including 4 sheet metal screws

Scope of delivery: 2 collapsible tip-up feet, 2 fixed tip-up feet

Note: Enclosure processing is required.

## Handle



Model	Order no.
HS 1000	39601020
HS 2000	39602020
HS 3000	39603020

Scope of delivery: 1 handle

Note: Cannot be used in combination with a hinge in the handle area.

# CombiCard 1000-3000 accessories

## Cylinder lock for FD...(G) with SC 1230 (NG) or rear lid with SC 1230 R

Model	Order no.
Z 1230	39806000

Scope of delivery: 1 lock, 2 keys

Note: Enclosure processing and mounting of the counter piece must take place in the factory.



## Knurled screws for fronts or rear lids

Model	Order no.
RS 1230	39805000

Scope of delivery: 1 set = 2 pieces

Note: As an alternative to the standard screw.



## Hinge to prevent loss of the terminal compartment lid

Model	Order no.
SC G-K	39500600

Scope of delivery: 1 set = 2 pieces

Note: Only for use with RD...GK(SC).



# Combicard 1000-3000

## 19" accessories



### 19" internal construction for connectors DIN EN 60603-2 with blind front panels for basic element without front

Model	Order no.	Note
IB 1000.12	39200000	20 HP
IB 2000.12	39201000	30 HP
IB 3000.12	39202000	49 HP

Scope of delivery: 1 extension set

Note: Please order tapped strip GS... for front panel fixing separately.  
Please use special tie bar sets.

### 19" internal construction for backplane with blind front panels for basic element without front

Model	Order no.	Note
IB 1000 PI	39206000	20 HP
IB 2000 PI	39207000	30 HP
IB 3000 PI	39208000	49 HP

Scope of delivery: 1 extension set

Note: Please order tapped strip GS... for front panel fixing separately.  
Please use special tie bar sets.

### 19" internal construction for connectors DIN EN 60603-2 if a front lid is used

Model	Order no.	Note
IL 1000.12	39209000	20 HP
IL 2000.12	39210000	30 HP
IL 3000.12	39211000	49 HP

Scope of delivery: 1 extension set

Note: Please order tapped strip GS... for front panel fixing separately.

### 19" internal construction for backplane if a front lid is used

Model	Order no.	Note
IL 1000 PI	39215000	20 HP
IL 2000 PI	39216000	30 HP
IL 3000 PI	39217000	49 HP

Scope of delivery: 1 extension set

Note: Please order tapped strip GS... for front panel fixing separately.

### 19" front module rails for fixing 19" part front panels with blind front panels for basic element without front

Model	Order no.	Note
IB 1000 F	39218000	20 HP
IB 2000 F	39219000	30 HP
IB 3000 F	39220000	49 HP

Scope of delivery: 1 extension set

Note: Please order tapped strip GS... for front panel fixing separately.

# Combicard 1000-3000

## 19" accessories

### Tapped strips for 19" internal constructions and front module rails

Model	Order no.	Note
GS 1000	39800000	20 HP
GS 2000	39801000	30 HP
GS 3000	39802000	49 HP

Scope of delivery: 1 set = 2 pieces

### Card guides for 19" internal constructions

Model	Order no.
KF 1230	39302000

Scope of delivery: PU = 10 pieces



### Card retainers for card guides KF 1230

Model	Order no.
KS 1230	39301000

Scope of delivery: PU = 10 pieces



# CombiSet CC 500



## CC 500

Model	Order no.	Note
CC 500	19050000	12 HP useful width

Scope of delivery: Base element and rear element, upper and lower guide blocks, tapped strips, screws

Note: See following pages for accessories.

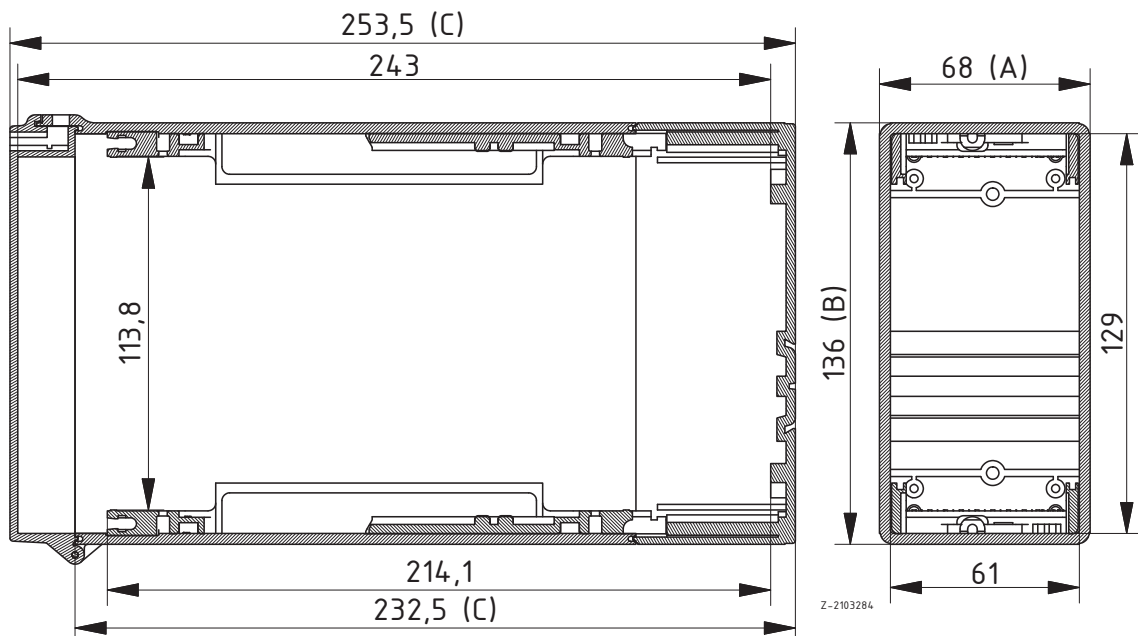


## CC 500 with hinged front, crystal-clear, IP 65

Model	Order no.	Note
CC 500 TK	19050101	12 HP useful width

Scope of delivery: Base element and rear element, upper and lower guide blocks, crystal-clear front door, hinged with lock, tapped strips, screws

Note: See following pages for accessories.



# CombiSet CC 500

## CC 500 for control panel mounting

Model	Order no.	Note
CC 500 NG	19050200	12 HP useful width

Scope of delivery: Base element with moulded-on mounting frame, rear element, upper and lower guide blocks, retaining clasps, tapped strips, screws

Note: See following pages for accessories.

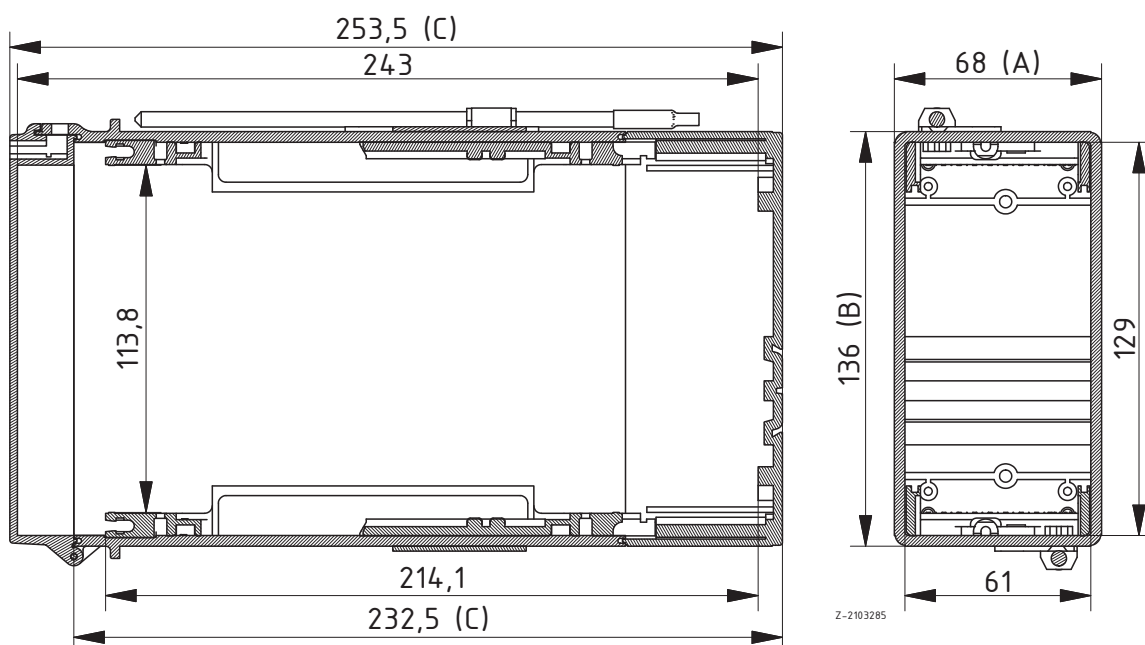


## CC 500 for control panel mounting, with hinged front, crystal-clear, IP 65

Model	Order no.	Note
CC 500 NGTK	19050301	12 HP useful width

Scope of delivery: Base element with moulded-on mounting frame, rear element, upper and lower guide blocks, crystal-clear front door, hinged with lock, retaining clasps, tapped strips, screws

Note: See following pages for accessories.



## CombiSet CC 500 accessories



### Wall frame for CC 500

<b>Model</b>	<b>Order no.</b>
CC 500 WR	39001000

Scope of delivery: Wall frame, 4 screws



### Snap foot for top hat rails DIN EN 60715 TH 35 for insertion into the grooves in the rear lid

<b>Model</b>	<b>Order no.</b>
CC 500 TS	39005000

Scope of delivery: 1 rail snap foot



### Cylinder catch for CC 500 TK / NGTK

<b>Model</b>	<b>Order no.</b>
SHLO-302	21008310

Scope of delivery: 1 cylinder catch



### Mounting set for connectors DIN EN 60603-2 (previously DIN 41612)

<b>Model</b>	<b>Order no.</b>
CC 500 MS	39004000

Scope of delivery: Mounting set

Note: Mounting takes place on the integrated guide blocks.



# CombiSet CC 500 accessories

## Card guides for the pre-fitted card guide blocks

Model	Order no.
KF 1230	39302000

Scope of delivery: 10 pieces



## Card retainers for card guides KF 1230

Model	Order no.
KS 1230	39301000

Scope of delivery: 10 pieces

