



Chipsmall Limited consists of a professional team with an average of over 10 year of expertise in the distribution of electronic components. Based in Hongkong, we have already established firm and mutual-benefit business relationships with customers from,Europe,America and south Asia,supplying obsolete and hard-to-find components to meet their specific needs.

With the principle of "Quality Parts,Customers Priority,Honest Operation,and Considerate Service",our business mainly focus on the distribution of electronic components. Line cards we deal with include Microchip,ALPS,ROHM,Xilinx,Pulse,ON,Everlight and Freescale. Main products comprise IC,Modules,Potentiometer,IC Socket,Relay,Connector.Our parts cover such applications as commercial,industrial, and automotives areas.

We are looking forward to setting up business relationship with you and hope to provide you with the best service and solution. Let us make a better world for our industry!



## Contact us

Tel: +86-755-8981 8866 Fax: +86-755-8427 6832

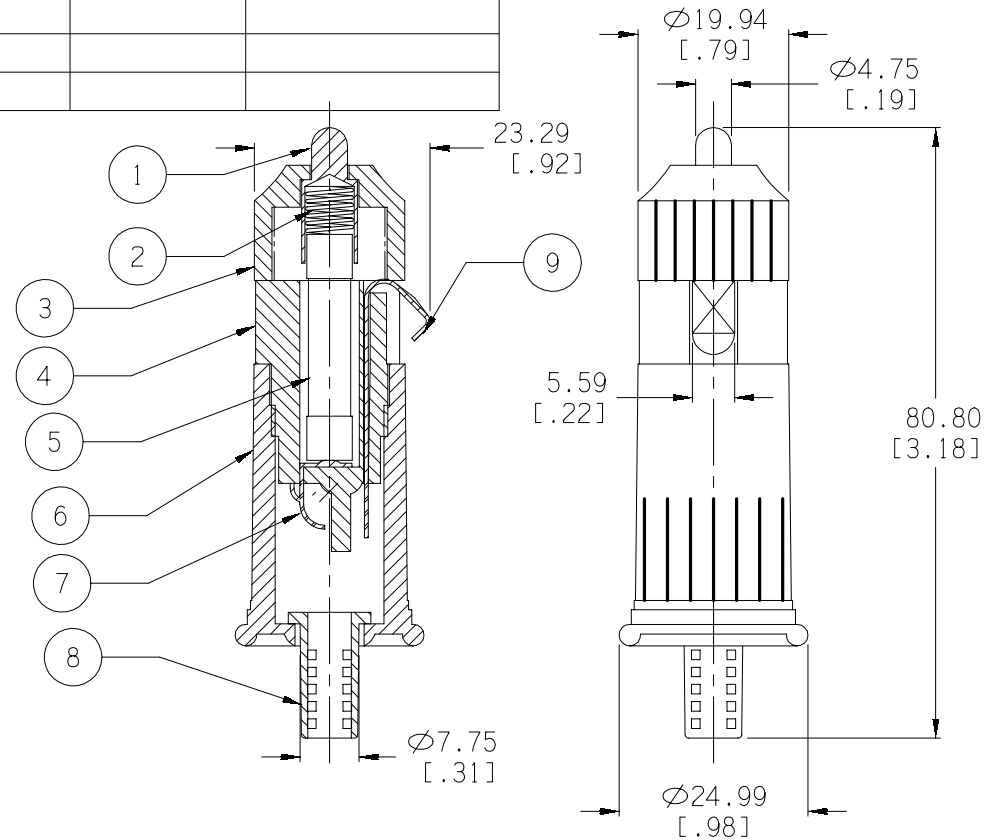
Email & Skype: info@chipsmall.com Web: www.chipsmall.com


Address: A1208, Overseas Decoration Building, #122 Zhenhua RD., Futian, Shenzhen, China



ITEM NO.	PART NAME	MATL. SPECIFICATION	CAT. NO.	APPROVED NO.
1	TIP CONTACT (+) TERMINAL	BRASS, NICKLE PLTD.		
2	SPRING	SW80C		
3	NOSE CAP	BAKELITE, BLACK	T385J	E59481(S)
4	MIDDLE BODY	BAKELITE, BLACK	T385J	E59481(S)
5	FUSE	3AG (6.35 x 30mm), 3amp		
6	BOTTOM BODY	BAKELITE, BLACK	T385J	E59481(S)
7	(+) TERMINAL	NICKLE PLTD		
8	STRAIN RELIEF	PVC, 100%		
9	(-) TERMINAL	BRASS, NICKLE PLTD		

Date	SYM	REVISION RECORD	AUTH	DR.	CK.



Tolerance (Inches)	 Memory Protection Devices, Inc. 200 Broad Hollow Road, Farmingdale, New York 11735		
Decimal		Scale	Drawn By B.S.
±.5 (.020)			Approved By T.B.
Fractional	Title		
± .8 (.030)	CIGARETTE PLUG FOR 21mm DIA. SOCKETS (INCLUDES FUSE)		
Angular	Date	Drawing Number	
± 3°	02/10/01	ZA1010	