



Chipsmall Limited consists of a professional team with an average of over 10 year of expertise in the distribution of electronic components. Based in Hongkong, we have already established firm and mutual-benefit business relationships with customers from,Europe,America and south Asia,supplying obsolete and hard-to-find components to meet their specific needs.

With the principle of “Quality Parts,Customers Priority,Honest Operation,and Considerate Service”,our business mainly focus on the distribution of electronic components. Line cards we deal with include Microchip,ALPS,ROHM,Xilinx,Pulse,ON,Everlight and Freescale. Main products comprise IC,Modules,Potentiometer,IC Socket,Relay,Connector.Our parts cover such applications as commercial,industrial, and automotives areas.

We are looking forward to setting up business relationship with you and hope to provide you with the best service and solution. Let us make a better world for our industry!



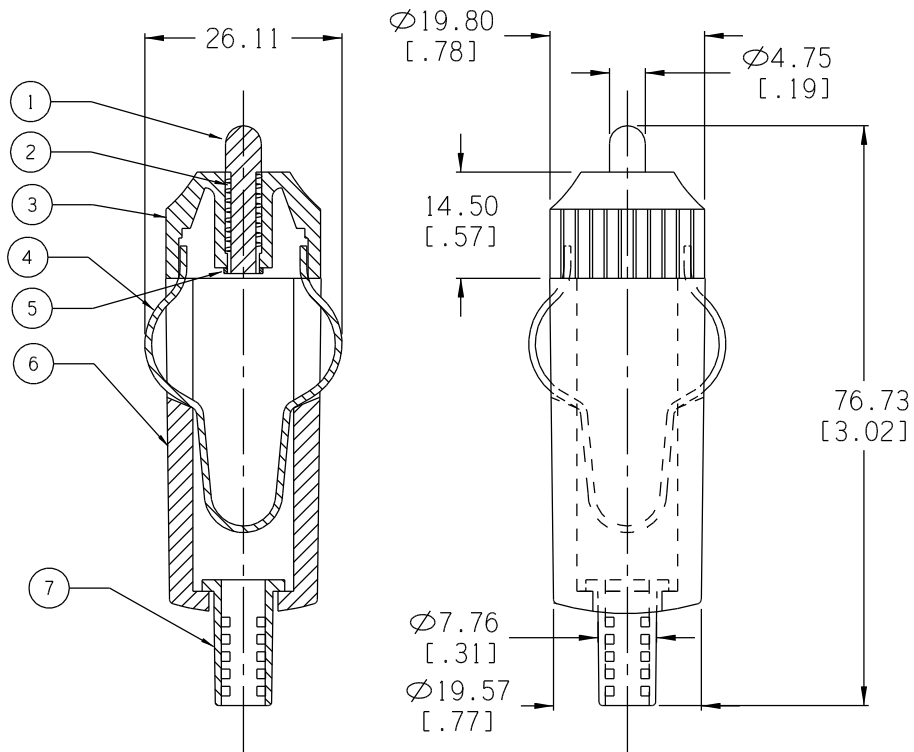
## Contact us

Tel: +86-755-8981 8866 Fax: +86-755-8427 6832

Email & Skype: info@chipsmall.com Web: www.chipsmall.com

Address: A1208, Overseas Decoration Building, #122 Zhenhua RD., Futian, Shenzhen, China






Date	SYM	REVISION RECORD	AUTH	DR.	CK.
12/16/06	A	Added "ROHS COMPLIANT"	T.B.	B.S.	

ITEM NO.	PART NAME	MATL. SPECIFICATION	CAT. NO.	APPROVED NO.
1	TIP CONTACT (+) TERMINAL	BRASS, NICKLE PLTD.		
2	SPRING	SWRS		
3	HOSE CAP	BAKELITE, BLACK	T385J	E59481(S)
4	(-) TERMINAL	SWRH 1067 STEEL LINE, NICKLE PLTD		
5	WASHER	NICKLE PLTD.		
6	BODY	BAKELITE, BLACK		
7	STRAIN RELIEF	PVC, 100%		

NOTE:  
 MAXIMUM RATING: 10AMP.  
 ROHS COMPLIANT

Tolerance (Inches)	 Memory Protection Devices, Inc. 200 Broad Hollow Road, Farmingdale, New York 11735		
Decimal ±.5 (.020)		Scale	Drawn By B.S. Approved By T.B.
Fractional ± .8 (.030)	Title CIGARETTE PLUG FOR 21 OR 22.2mm SOCKETS		
Angular ± 3°	Date 12/16/06	Drawing Number ZA1030	