



Chipsmall Limited consists of a professional team with an average of over 10 year of expertise in the distribution of electronic components. Based in Hongkong, we have already established firm and mutual-benefit business relationships with customers from,Europe,America and south Asia,supplying obsolete and hard-to-find components to meet their specific needs.

With the principle of "Quality Parts,Customers Priority,Honest Operation,and Considerate Service",our business mainly focus on the distribution of electronic components. Line cards we deal with include Microchip,ALPS,ROHM,Xilinx,Pulse,ON,Everlight and Freescale. Main products comprise IC,Modules,Potentiometer,IC Socket,Relay,Connector.Our parts cover such applications as commercial,industrial, and automotives areas.

We are looking forward to setting up business relationship with you and hope to provide you with the best service and solution. Let us make a better world for our industry!



## Contact us

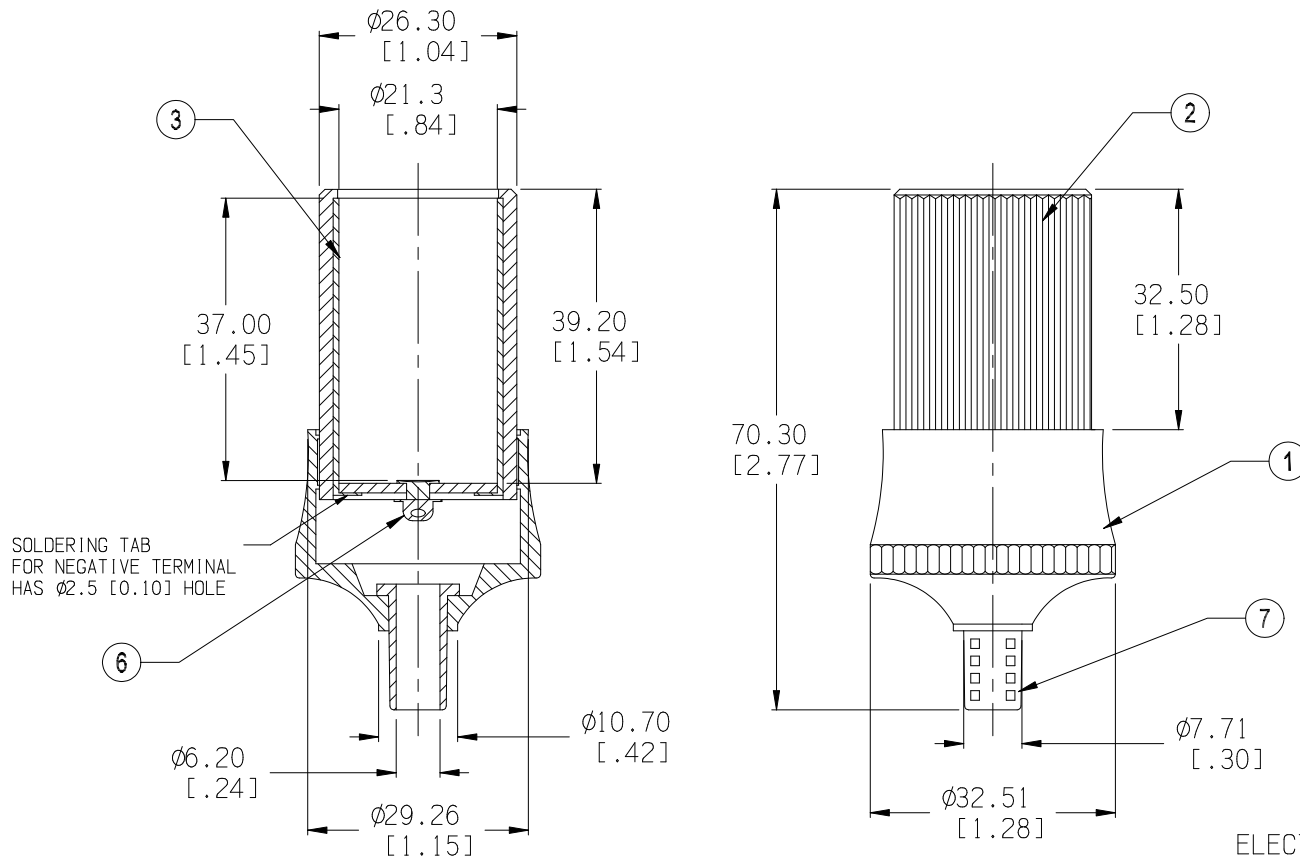
Tel: +86-755-8981 8866 Fax: +86-755-8427 6832

Email & Skype: info@chipsmall.com Web: www.chipsmall.com

Address: A1208, Overseas Decoration Building, #122 Zhenhua RD., Futian, Shenzhen, China




Date	SYM	REVISION RECORD	AUTH	DR.	CK.
04/03/04	A	Added Electrical Rating	T.B.	B.S.	
10/09/04	B	10AMP was 5AMP	T.B.	B.S.	
10/20/07	C	DIM. $\phi 21.3$ WAS $\phi 21.0$ DIM. 32.3 WAS 32.51 ADDED NOTE FOR RATING ADDED TAB NOTE	T.B.	B.S.	



ELECTRICAL RATING: 12V, 10 AMP  
ROHS COMPLIANT  
RATED UP TO 15 AMPS WITH CORRECT WIRES

ITEM NO.	PART NAME	MATL. SPECIFICATION
1	CAP	ABS, UL94-HB, FILE NO. E56070(S)
2	BODY	ABS, UL94-HB, FILE NO. E56070(S)
3	(-) TERMINAL	BRASS
4	INSULATION	BAKELITE, UL FILE NO. E59481(S)
5	BASE	BRASS
6	(+) TERMINAL	BRASS
7	STRAIN RELIEF	PVC

Tolerance (Inches)	 Memory Protection Devices, Inc. 200 Broad Hollow Road, Farmingdale, New York 11735	
Decimal		Scale
$\pm .5$ (.020)		Drawn By B.S.
Fractional	Title	
$\pm .8$ (.030)	PLASTIC CIGARETTE SOCKET	
Angular	Date	Drawing Number
$\pm 3^\circ$	10/20/07	ZA2010
		Approved By T.B.