



Chipsmall Limited consists of a professional team with an average of over 10 year of expertise in the distribution of electronic components. Based in Hongkong, we have already established firm and mutual-benefit business relationships with customers from,Europe,America and south Asia,supplying obsolete and hard-to-find components to meet their specific needs.

With the principle of “Quality Parts,Customers Priority,Honest Operation,and Considerate Service”,our business mainly focus on the distribution of electronic components. Line cards we deal with include Microchip,ALPS,ROHM,Xilinx,Pulse,ON,Everlight and Freescale. Main products comprise IC,Modules,Potentiometer,IC Socket,Relay,Connector.Our parts cover such applications as commercial,industrial, and automotives areas.

We are looking forward to setting up business relationship with you and hope to provide you with the best service and solution. Let us make a better world for our industry!



## Contact us

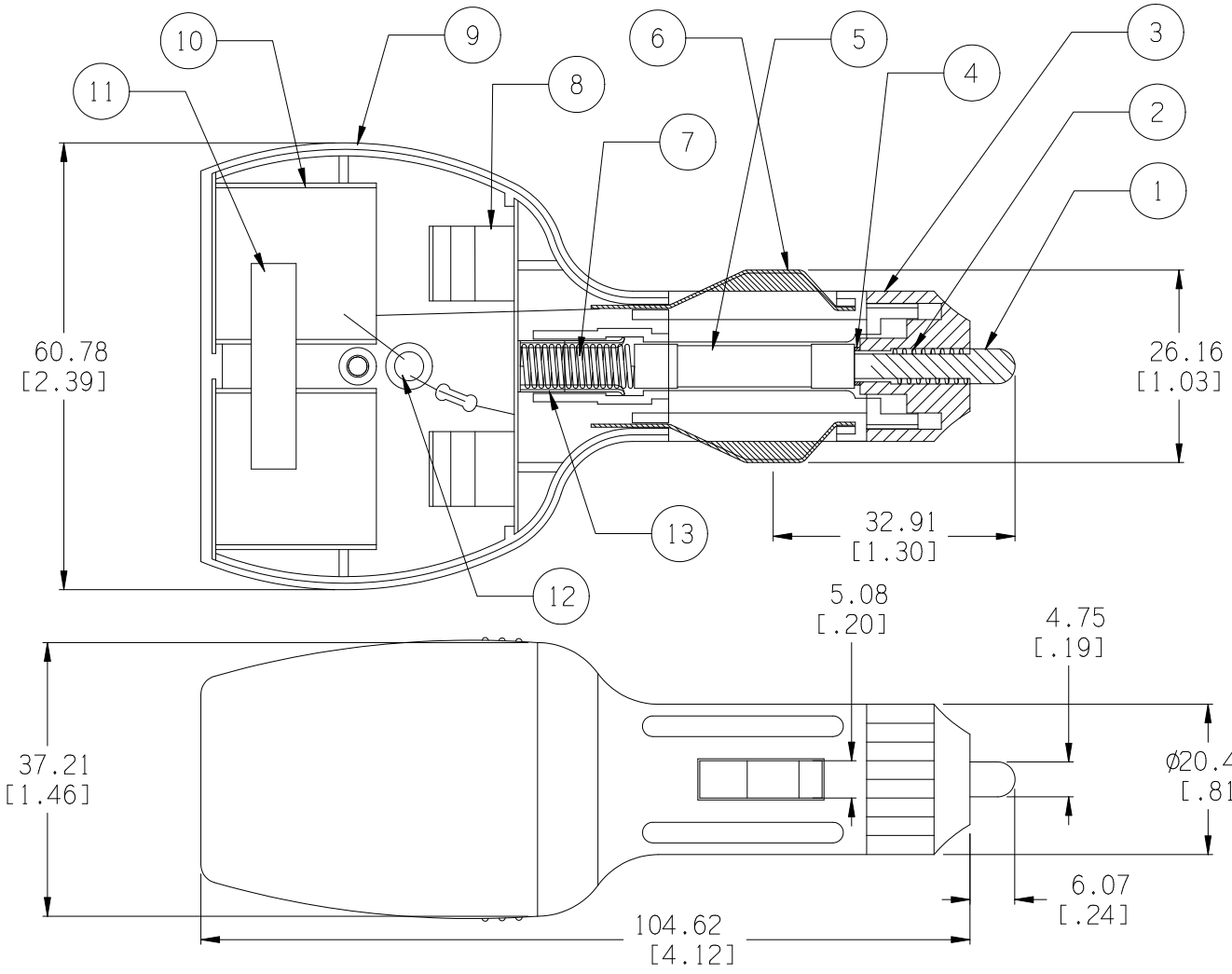
Tel: +86-755-8981 8866 Fax: +86-755-8427 6832

Email & Skype: info@chipsmall.com Web: www.chipsmall.com

Address: A1208, Overseas Decoration Building, #122 Zhenhua RD., Futian, Shenzhen, China




Date	SYM	REVISION RECORD	AUTH	DR.	CK.
9/28/07	A	Added "ROHS COMPLIANT"	T.B.	B.S.	



ITEM NO.	PART NAME	MATL. SPECIFICATION	QTY.
1	TIP CONTACT (+) TERMINAL	BRASS, NICKLE PLTD.	1
2	SPRING	STEEL WIRE; $\phi$ 0.45 THK	1
3	CAP	BAKELITE, BLACK	1
4	WASHER	BRASS, NICKLE PLTD.	1
5	FUSE	1 AMP. 6.3*30	1
6	(-) TERMINAL	STEEL, NICKLE PLTD	2
7	SPRING	PHOSPHORSCENT BRONZE; $\phi$ 0.45 THK	1
8	(+) CONTACT	BRASS, NICKLE PLTD.	1
9	BODY	NYLON 66, GLASS FILLED	1
10	SOCKET	BRASS, NICKLE PLTD.; 0.6 THK	2
11	SHORTING BAR	BRASS; 0.6 THK	1
12	LED	$\phi$ 3 DC 12V	1
13	SPRING HOUSING	BRASS, NICKLE PLTD.	1

ROHS COMPLIANT

Tolerance (Inches)		Memory Protection Devices, Inc 200 Broad Hollow Road, Farmingdale, New York 11735		
Decimal	±.5 (.020)	Scale	Drawn By B.S.	
Fractional	± .8 (.030)	Approved By T.B.		
Angular	± 3°	Title DUAL SOCKET SPLITTER, LED & 1A FUSE		
Date 9/28/07		Drawing Number ZA5018		