



Chipsmall Limited consists of a professional team with an average of over 10 year of expertise in the distribution of electronic components. Based in Hongkong, we have already established firm and mutual-benefit business relationships with customers from,Europe,America and south Asia,supplying obsolete and hard-to-find components to meet their specific needs.

With the principle of “Quality Parts,Customers Priority,Honest Operation,and Considerate Service”,our business mainly focus on the distribution of electronic components. Line cards we deal with include Microchip,ALPS,ROHM,Xilinx,Pulse,ON,Everlight and Freescale. Main products comprise IC,Modules,Potentiometer,IC Socket,Relay,Connector.Our parts cover such applications as commercial,industrial, and automotives areas.

We are looking forward to setting up business relationship with you and hope to provide you with the best service and solution. Let us make a better world for our industry!



Contact us

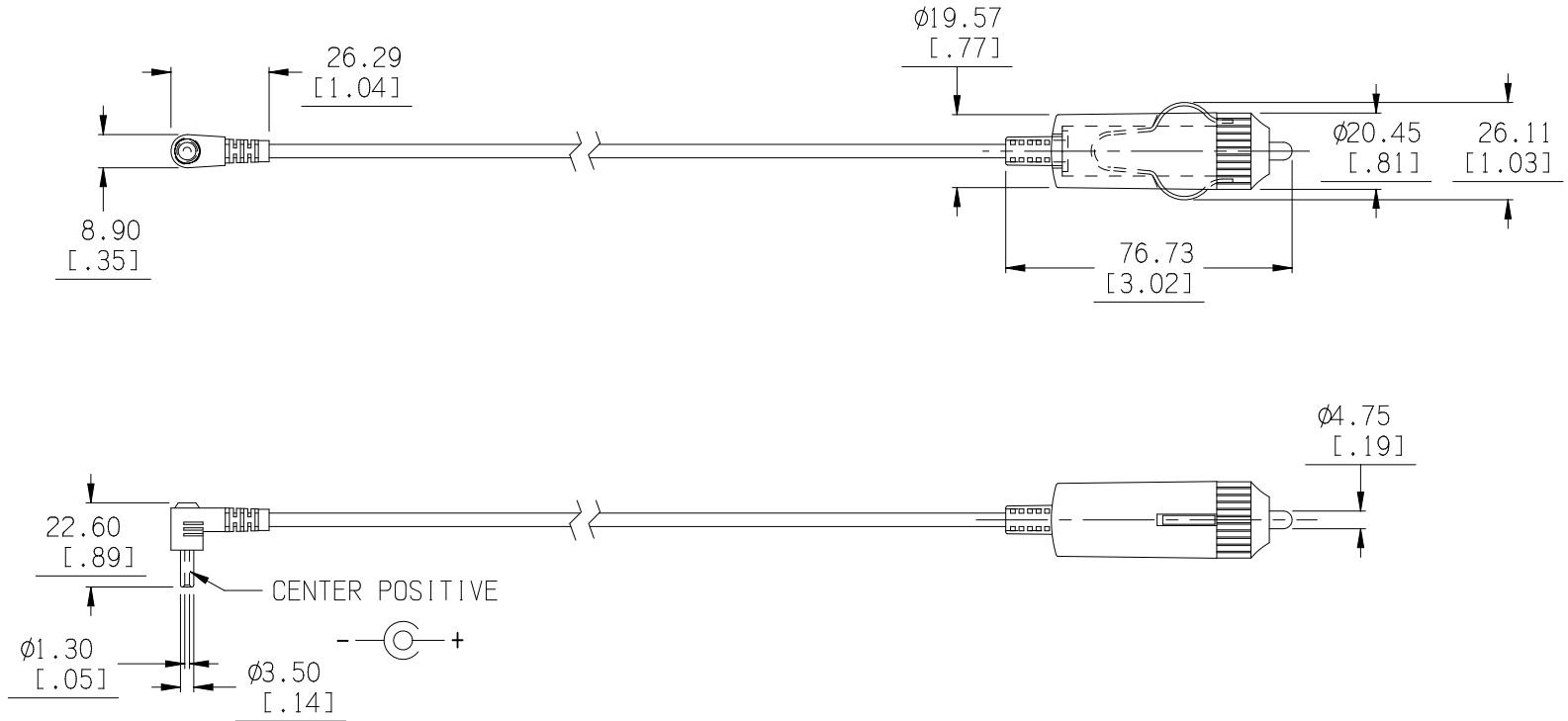
Tel: +86-755-8981 8866 Fax: +86-755-8427 6832

Email & Skype: info@chipsmall.com Web: www.chipsmall.com

Address: A1208, Overseas Decoration Building, #122 Zhenhua RD., Futian, Shenzhen, China



Date	SYM	REVISION RECORD	AUTH	DR.	CK.
02/15/03	A	400mm LONG,(0.12/10 x 2) x 1C , OD3.5 WAS 400mm LONG	T.B.	B.S.	
07/06/12	B	Added wire Gauge	T.B.	B.S.	



BILL OF MATERIAL			Tolerance (Inches)	MPD Memory Protection Devices, Inc. 200 Broad Hollow Road, Farmingdale, New York 11735	Scale	Drawn By B.S.
PART #	QTY.	DESCRIPTION				
ZA1030	1	CIGARETTE PLUG FOR 21 OR 22.2mm DIA. SOCKETS	Decimal			
PLUG	1	DC MOLDED PLUG, 1.3mm x 3.5mm, RIGHT ANGLE	$\pm .5$ (.020)			Approved By T.B.
CORD	1	400mm LONG, 22AWG, UL 2468(0.12/10 x 2) x 1C, OD3.5	Fractional $\pm .8$ (.030)	Title AUTO POWER CORD SET, RIGHT ANGLE 1.3mm DC PLUG		
			Angular $\pm 3^\circ$	Date 07/06/12	Drawing Number ZA5036	