



Chipsmall Limited consists of a professional team with an average of over 10 year of expertise in the distribution of electronic components. Based in Hongkong, we have already established firm and mutual-benefit business relationships with customers from,Europe,America and south Asia,supplying obsolete and hard-to-find components to meet their specific needs.

With the principle of “Quality Parts,Customers Priority,Honest Operation,and Considerate Service”,our business mainly focus on the distribution of electronic components. Line cards we deal with include Microchip,ALPS,ROHM,Xilinx,Pulse,ON,Everlight and Freescale. Main products comprise IC,Modules,Potentiometer,IC Socket,Relay,Connector.Our parts cover such applications as commercial,industrial, and automotives areas.

We are looking forward to setting up business relationship with you and hope to provide you with the best service and solution. Let us make a better world for our industry!



Contact us

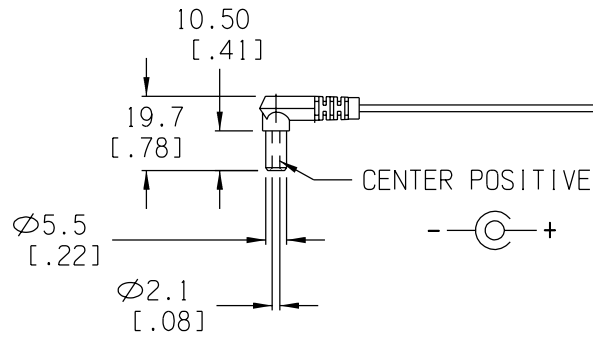
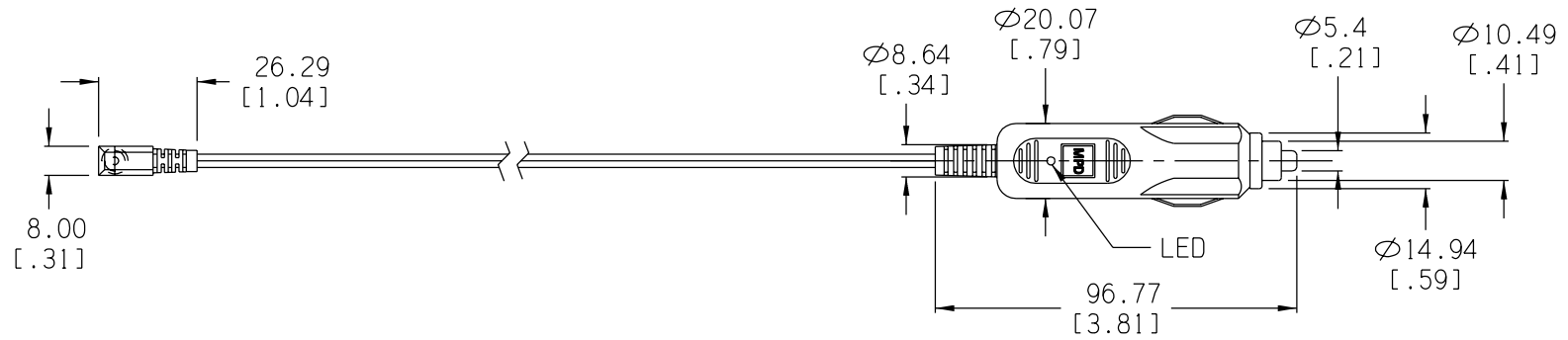
Tel: +86-755-8981 8866 Fax: +86-755-8427 6832

Email & Skype: info@chipsmall.com Web: www.chipsmall.com

Address: A1208, Overseas Decoration Building, #122 Zhenhua RD., Futian, Shenzhen, China



Date	SYM	REVISION RECORD	AUTH	DR.	CK.
10/22/05	A	ADDED "ROHS COMPLIANT"	T.B.	B.S.	




BILL OF MATERIAL

PART #	QTY.	DESCRIPTION
APP-001	1	CIGARETTE PLUG FOR 21 OR 22.2mm DIA. SOCKETS
PLUG	1	DC MOLDED PLUG, 2.1 x 5.5mm
FUSE	1	3AG (6.35 x 30mm), 3 AMP.
CORD	1	UL AWM 2468, 22 AWG, 80°C, UL-VW-1

NOTE:
ROHS COMPLIANT

Tolerance (Inches)
Decimal
±.5 (.020)
Fractional
± .8 (.030)
Angular
± 3°


Memory Protection Devices, Inc
 200 Broad Hollow Road, Farmingdale, New York 11735

Scale	Drawn By B.S.
Approved By T.B.	
Title AUTO POWER CORD SET, 6' W/3 AMP FUSE, RED LED, RIGHT ANGLE 2.1mm DC PLUG	
Date 10/22/05	Drawing Number ZA5077