



Chipsmall Limited consists of a professional team with an average of over 10 year of expertise in the distribution of electronic components. Based in Hongkong, we have already established firm and mutual-benefit business relationships with customers from,Europe,America and south Asia,supplying obsolete and hard-to-find components to meet their specific needs.

With the principle of "Quality Parts,Customers Priority,Honest Operation,and Considerate Service",our business mainly focus on the distribution of electronic components. Line cards we deal with include Microchip,ALPS,ROHM,Xilinx,Pulse,ON,Everlight and Freescale. Main products comprise IC,Modules,Potentiometer,IC Socket,Relay,Connector.Our parts cover such applications as commercial,industrial, and automotives areas.

We are looking forward to setting up business relationship with you and hope to provide you with the best service and solution. Let us make a better world for our industry!



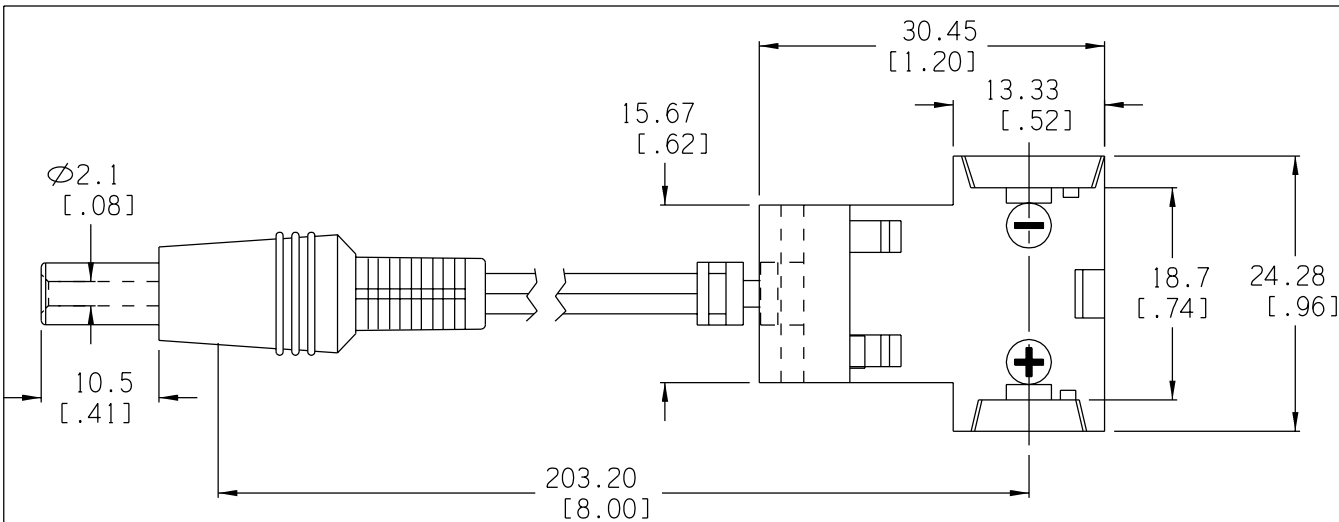
Contact us

Tel: +86-755-8981 8866 Fax: +86-755-8427 6832

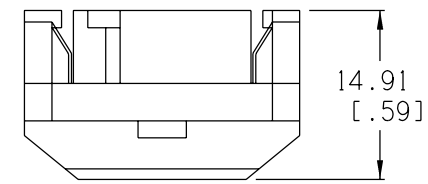
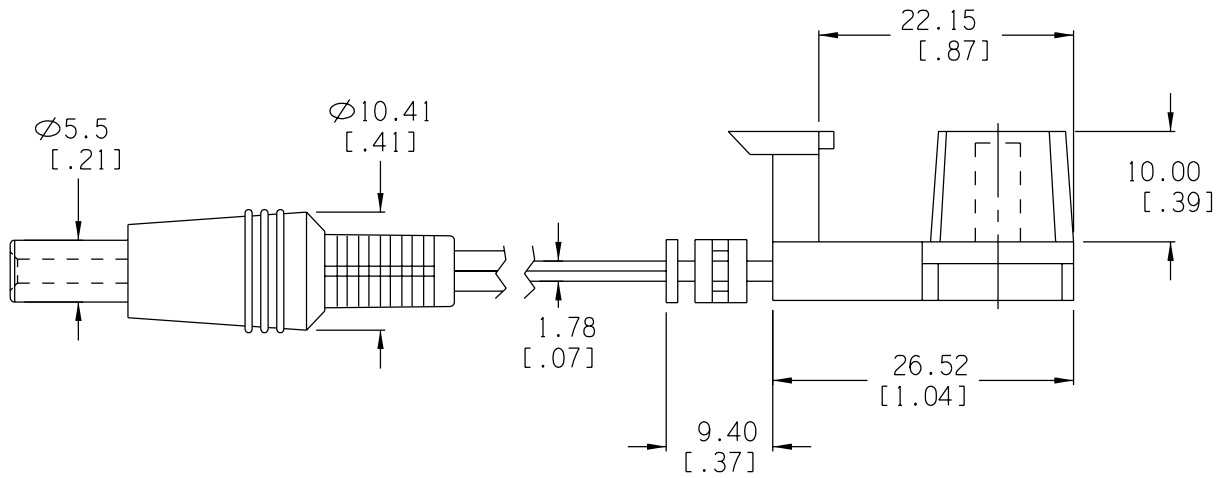
Email & Skype: info@chipsmall.com Web: www.chipsmall.com

Address: A1208, Overseas Decoration Building, #122 Zhenhua RD., Futian, Shenzhen, China






Date	SYM	REVISION RECORD	AUTH	DR.	CK.
12/02/05	A	ADDED "ROHS COMPLIANT"	T.B.	B.S.	



HOUSING: BLACK PLASTIC
 CORD: UL2468, 300V, 80°C, 22-24AWG
 PASSES UL FLAME TEST VW-1
 FILE NO. E11278 OR EQUAL
 CENTER IS POSITIVE CONTACT
 DC MOLDED PLUG: 2.1mm X 5.5mm
 FOR 2.5mm X 5.5mm USE P/N ZA5350-2.5
 ROHS COMPLIANT

Tolerance (Inches)	 Memory Protection Devices, Inc. 200 Broad Hollow Road, Farmingdale, New York 11735		
Decimal ±.5 (.020)	Scale	Drawn By B.S. Approved By T.B.	
Fractional ± .8 (.030)	Title LEAD ACID BATTERY CLIP TO DC MOLDED PLUG		
Angular ± 3°	Date 12/02/05	Drawing Number ZA5350	