



Chipsmall Limited consists of a professional team with an average of over 10 year of expertise in the distribution of electronic components. Based in Hongkong, we have already established firm and mutual-benefit business relationships with customers from,Europe,America and south Asia,supplying obsolete and hard-to-find components to meet their specific needs.

With the principle of “Quality Parts,Customers Priority,Honest Operation,and Considerate Service”,our business mainly focus on the distribution of electronic components. Line cards we deal with include Microchip,ALPS,ROHM,Xilinx,Pulse,ON,Everlight and Freescale. Main products comprise IC,Modules,Potentiometer,IC Socket,Relay,Connector.Our parts cover such applications as commercial,industrial, and automotives areas.

We are looking forward to setting up business relationship with you and hope to provide you with the best service and solution. Let us make a better world for our industry!



Contact us

Tel: +86-755-8981 8866 Fax: +86-755-8427 6832

Email & Skype: info@chipsmall.com Web: www.chipsmall.com

Address: A1208, Overseas Decoration Building, #122 Zhenhua RD., Futian, Shenzhen, China



specifications

The Gateway EPA126 is installed as part of a primary/secondary topology and provides support for up to six connected power devices, 12 environmental sensors and two access control devices all through a single IP address. The gateway will allow for expansion of additional power devices, without need for additional network ports, using the Gateway EPAX18 Expansion Unit that connects to the base unit. The Gateway EPA126 consolidates all data captured from the connected power devices and sensors and displays baseline operational data through a web interface or via SmartZone™ Software platforms. The gateway supports keypad or card reader devices to provide cabinet access control. The gateway supports the "open" Simple Network Management Protocol (SNMP) to allow monitoring for conditions that warrant administrative attention via any network management system that supports the SNMP protocol, as well as supporting HTTP/HTTPS protocols for remote management capabilities.



technical information

Model Number:	Eagle-i (U-ZAEI-y)
Dimensions:	18 in. x 4.5 in. x 1.7 in. (465mm x 114mm x 44 mm)
Weight:	4.76 lbs. (2.16Kg); 6.75 lbs. (3.06Kg) packaged
Packaging:	1.98 lbs. (0.9Kg)
Mounting:	19" rack mountable, housed in a 1RU metal case

key features and benefits

Centralized device management	Connects up to six connected power devices, 12 environmental sensors and two access control devices into one intelligent gateway to consolidate monitoring and management of operational data, simplify troubleshooting, and allow faster polling of data
Single IP address	Allows all connected power devices and sensors to be combined through one single gateway IP address, reducing the need for separate IP ports, IP capital costs, and management overhead
Primary/secondary network topology	Houses the intelligence and power supply for connected devices within the gateway itself to simplify the network architecture and lower overall power consumption
Access and control security	Powers access control card readers on cabinets and manages encrypted access data to support smart card technologies and other readers that enhance data center security
Scalable design	Allows Gateway EPA126 to be attached to the Gateway EPAX18 Expansion Unit to provide additional power device inputs through the gateway's single IP address, enabling cost-effective monitoring scalability and growth
SNMP enabled	Uses open SNMP protocol to provide alerts (traps) on potential service impacting power and environmental conditions to mitigate operational downtime
HTTP/HTTPS web interface	Provides authentication safeguards to securely allow users to configure, monitor, and control the gateway through remote management
SmartZone™ Software platform integration	Consolidates power and environmental data to be utilized by SmartZone™ Software platforms for real-time monitoring and display, management, and automated documentation

applications

The SmartZone™ Gateway EPA126 is an innovative, SNMP based gateway that simplifies the management of power devices and sensors with one IP address, significantly reducing the number of IP addresses needed in the data center. This management information can then be displayed via an internal web interface or utilized by SmartZone™ Software platforms for real-time monitoring, management, and automated reporting of operational metrics. SmartZone™ Gateways are scalable solutions, ideally suited to brownfield or greenfield data centers and telco areas.

When coupled with the SmartZone™ Gateway EPAX18 Expansion Unit, the number of power devices that can be monitored increases from 6 to 24, significantly improving flexibility and scalability.

The SmartZone™ Gateway EPA126 supports up to six connected power devices, 12 environmental sensors and two access control devices. To enhance cabinet security, the Gateway EPA126 supports keypads or HID card readers, which, when used with electronic handles, provide secure access to the cabinet.

SmartZone™ Gateway EPA126

Gateway EPA126 test data

Power Supply	
Input Power	100~240 VAC
Input Connector	2 x IEC C14 Inlet
Power Consumption	(Max) 40W
Additional Information	Isolated supply
Internal PSU	Dual
Operating Environment	
Operating Temperature	32°F to 113°F (0°C to 45°C)
Storage Temperature	14°F to 158°F (-10°C to 70°C)
Operating Humidity	15% to 85% RH
Storage Humidity	5% to 90% RH
MTBF	>100,000 Hrs.
Connectivity and Networking	
Network Type	Ethernet (802.3u)
Network Connection	RJ45
Link Speeds	10/100 Mbps with auto negotiation
Network Indications	Connection LED (Green); Network Speed LED (Yellow)
Sensors	
Number of Inputs	12 sensor inputs
Input Connector	8-way RJ45
Parameters Monitored	Temperature, humidity, smoke, door contact, shock, water, PIR, airflow sensors, and any 0-10 VDC output sensor
Temperature Monitoring Range	32°F to 140°F (0°C to 60°C)
Temperature Monitoring Accuracy	±5% Standard Transducer @ 68°F (20°C)
Humidity Monitoring Range	30% to 90% relative humidity
Humidity Monitoring Accuracy	±5% RH @ 77°F (25°C)
Analogue Resolution	12 Bit A/D for analogue inputs
Additional Information	Inputs are not isolated; auto detection of supported sensors
Access and Control	
Access	2 ports that support 2x5 Keypad or HID Card Reader
Control	4 relay output ports for controlling flashing beacons, or electronic handles
PDU Monitoring and Control	
Number of Inputs	6 inputs for connected power monitoring devices
PDU In/Out Connector	RJ45
Parameters Monitored	Volts, amps, total kVA, total kWh, total power factor, and frequency
Voltage Monitoring Range	0V to 500V
Current Monitoring Range	0A to 65A
kWh Monitoring Range	0 kWh to 429496729 kWh
kWh Monitoring Accuracy	Dependent on PDU
kWh Monitoring Accuracy	Dependant on PDU

SmartZone™ Gateway EPA126

Gateway EPA126 test data (continued)

Output Relays	
Number of Outputs	4
Output Connectors	WeidMuller (Output 1 and 2), Screw lock Pheonix Contact (Output 3 and 4)
Output Connections	Normally Open, Common, Normally Closed
Maximum Switching	48V at 1A (Resistive Load)
Additional Information	12V DC Output fused at 1AMP available on Weidmuller connector
Monitoring and Configuration	
The following monitoring and configuration methods are provided	Web management interface via HTTP or HTTPS (Secure); Configurable SNMP and email alarm messages
Compliance	UL 60950-1 2nd edition, CAN/CSA-C22.2 No. 60950-1-07 Incl. Amd 1, CAN/CSA-CISPR 22-10, FCC Part 15B.Emissions
LCD Status Monitor	
The optional backlit LCD status monitor can display the following	Summary page displaying configured PDUs and inputs 1 and 2, all 6 digital inputs and all 4 PDUs, alternative display via selector switches
The following system information is also available	Firmware version, IP address, sub-net mask, gateway, MAC address
Additional Information	Backlit, powered from unit (no additional power source required)
Front Panel Indicators	
Green LED Network	Ethernet connection present (flashing indicates traffic present)
Yellow LED Network Speed	Off indicates 10Mbps network; On indicates 100Mbps network link
Green LED CPU Status	Flash indicates correct operation of the Gateway EPA126
Red LED Alarm Status	One or more sensor input has exceeded a pre-set threshold
Blue LED	Internal low voltage power supply is within range
Yellow LED AC Feed A	Presence of AC power on input Feed A
Yellow LED AC Feed B	Presence of AC power on input Feed B
Rear Panel Indicators	
Green LED CPU Status	Flashing indicates PDU Expansion Units CPU alive
Blue LED Power ON	Internal low voltage power supply is within range
Red LED Alarm Status	One or more sensor input has exceeded a pre-set threshold

part numbers

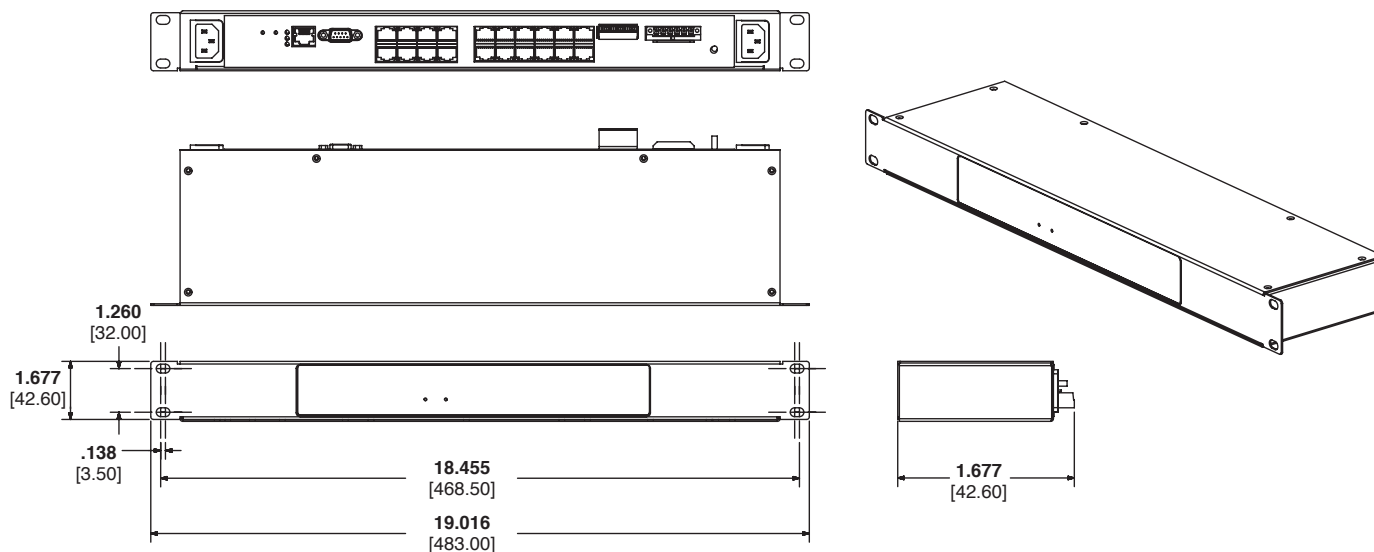
Gateway EPA126	
ZAEI-01	SmartZone™ Gateway EPA126 – UK-IEC power cable
ZAEI-01-99	SmartZone™ Gateway EPA126 – no power cable
ZAEI-01-NA	SmartZone™ Gateway EPA126 – NEMA 5-15 power cable
ZAEI-01-UNI	SmartZone™ Gateway EPA126 – IEC-IEC power cable
Gateway EPAX18 Expansion Unit	
ZAEIEXP01	SmartZone™ Gateway EPAX18 Expansion Unit – UK-IEC power cable
ZAEIEXP0199	SmartZone™ Gateway EPAX18 Expansion Unit – no power cable
ZAEIEXP01NA	SmartZone™ Gateway EPAX18 Expansion Unit – IEC - NEMA 5-15 power cable
ZAEIEXP01UNI	SmartZone™ Gateway EPAX18 Expansion Unit – IEC power leads (2x IEC-IEC)

SmartZone™ Gateway EPA126

part numbers (continued)

Sensors	
ZAPDUMODKIT	External LCD Display Kit with Case Enclosure
FLABEA-01	Flashing Beacon with No Sounder
FLABEA-02	Flashing Beacon with Sounder
ZEAIR-02	Airflow Sensor
ZECRDRKIT-01	HID Access Control Card Reader
ZEDIC05-01	Digital Input Sensor
ZEDL05-01	Door Contact Sensor (micro switch type)
ZEDL05-02	Door Contact Sensor (magnetic type)
ZEKPKIT-01	Keypad Kit
ZEPIR-04	PIR Sensor
ZESS04-01	Shock Sensor
ZETHL-10	Humidity Sensor
ZETHL-12	Temperature Sensor
ZETHL-13	External Temperature Sensor
ZEWD3-05	Water Sensor (contact type)
ZEWS-03-03	Water Sensor (rope type)

Gateway EPA126 dimensions



Dimensions are in inches. [Dimensions in brackets are metric].

WORLDWIDE SUBSIDIARIES AND SALES OFFICES

PANDUIT CANADA
Markham, Ontario
cs-cdn@panduit.com
Phone: 800.777.3300

PANDUIT EUROPE LTD.
London, UK
cs-emea@panduit.com
Phone: 44.20.8601.7200

PANDUIT SINGAPORE PTE. LTD.
Republic of Singapore
cs-ap@panduit.com
Phone: 65.6305.7575

PANDUIT JAPAN
Tokyo, Japan
cs-japan@panduit.com
Phone: 81.3.6863.6000

PANDUIT LATIN AMERICA
Guadalajara, Mexico
cs-la@panduit.com
Phone: 52.33.3777.6000

PANDUIT AUSTRALIA PTY. LTD.
Victoria, Australia
cs-aus@panduit.com
Phone: 61.3.9794.9020

For a copy of Panduit product warranties, log on to www.panduit.com/warranty

For more information

Visit us at www.panduit.com

Contact Customer Service by email: cs@panduit.com
or by phone: 800.777.3300

PANDUIT®

© 2017 Panduit Corp.
ALL RIGHTS RESERVED.
PVSP130--WW-ENG
1/2017