



Chipsmall Limited consists of a professional team with an average of over 10 year of expertise in the distribution of electronic components. Based in Hongkong, we have already established firm and mutual-benefit business relationships with customers from,Europe,America and south Asia,supplying obsolete and hard-to-find components to meet their specific needs.

With the principle of “Quality Parts,Customers Priority,Honest Operation,and Considerate Service”,our business mainly focus on the distribution of electronic components. Line cards we deal with include Microchip,ALPS,ROHM,Xilinx,Pulse,ON,Everlight and Freescale. Main products comprise IC,Modules,Potentiometer,IC Socket,Relay,Connector.Our parts cover such applications as commercial,industrial, and automotives areas.

We are looking forward to setting up business relationship with you and hope to provide you with the best service and solution. Let us make a better world for our industry!



## Contact us

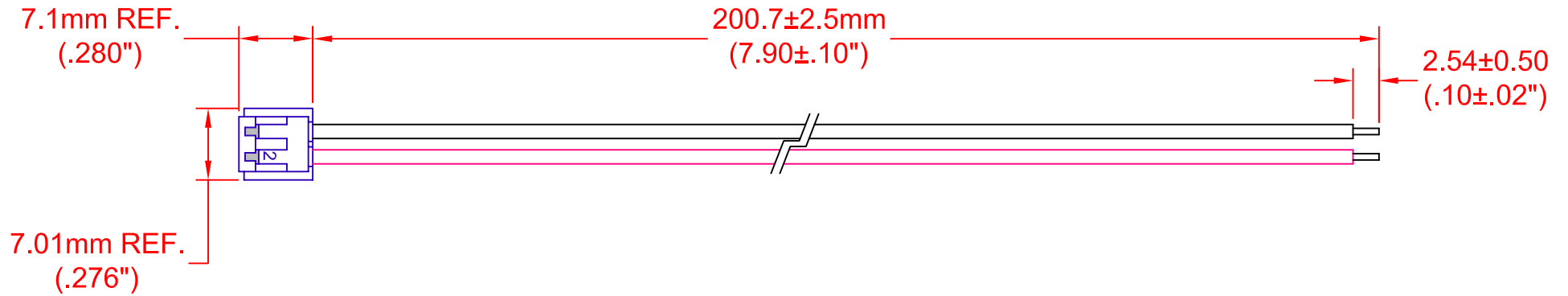
Tel: +86-755-8981 8866 Fax: +86-755-8427 6832

Email & Skype: info@chipsmall.com Web: www.chipsmall.com

Address: A1208, Overseas Decoration Building, #122 Zhenhua RD., Futian, Shenzhen, China



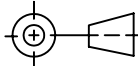
REV.	DESCRIPTION/ECO NO.	DATE
	RELEASE & CANCEL PL-0711-01	1/23/08
<b>A</b>	ADD REV. NOTE	1/31/08
<b>B</b>	CHNG. NOTE REF. NO.	8/6/08



PIN	WIRE TYPE	AWG	COLOR
1	UL 1007	24	BLACK
2	UL 1007	24	RED

JKL PART NO.: ZCH-200-I

USED WITH JKL ZRS-8480 LED LIGHT BARS

<b>METRIC</b>  THIRD ANGLE PROJECTION	DIMENSIONS ARE IN mm (INCHES)	<b>JKL COMPONENTS CORPORATION</b> TITLE <b>INPUT CONNECTOR HARNESS</b>			
	TOLERANCE UNLESS OTHERWISE SPECIFIED 1 PL +/- REF. 2 PL +/- REF. ANGLE +/- 0				
DRAWN BY L. WENGSTROM	APPV'D BY L.R.	DATE 8/6/08	SIZE <b>A</b>	FSCM NO. <b>55335</b>	DRAWING NO. <b>ZCH-200-I</b>
- CAD DRAWING - MANUAL REVISIONS NOT PERMITTED			SCALE NONE	RELEASED DATE 1/23/08	REVISION DATE 8/6/08
				REV. NO. <b>B</b>	SHEET 1 OF 1