



Chipsmall Limited consists of a professional team with an average of over 10 year of expertise in the distribution of electronic components. Based in Hongkong, we have already established firm and mutual-benefit business relationships with customers from,Europe,America and south Asia,supplying obsolete and hard-to-find components to meet their specific needs.

With the principle of “Quality Parts,Customers Priority,Honest Operation,and Considerate Service”,our business mainly focus on the distribution of electronic components. Line cards we deal with include Microchip,ALPS,ROHM,Xilinx,Pulse,ON,Everlight and Freescale. Main products comprise IC,Modules,Potentiometer,IC Socket,Relay,Connector.Our parts cover such applications as commercial,industrial, and automotives areas.

We are looking forward to setting up business relationship with you and hope to provide you with the best service and solution. Let us make a better world for our industry!



Contact us

Tel: +86-755-8981 8866 Fax: +86-755-8427 6832

Email & Skype: info@chipsmall.com Web: www.chipsmall.com

Address: A1208, Overseas Decoration Building, #122 Zhenhua RD., Futian, Shenzhen, China



LED RGB CONTROLLER

The LED RGB Controller is designed for LED lighting color control. It can control modules, LED ribbons, LED bars, High Power LED modules and other LED lighting fixtures.

FEATURES

- Power Off Memory
- 11 Control Modes
- Rate Control for Cycling Color Changes and Brightness Control
- Common Anode CMOS Outputs
- Operates up to 8 JKL LED Light Bars, reference P/N ZRS-10573-RGB

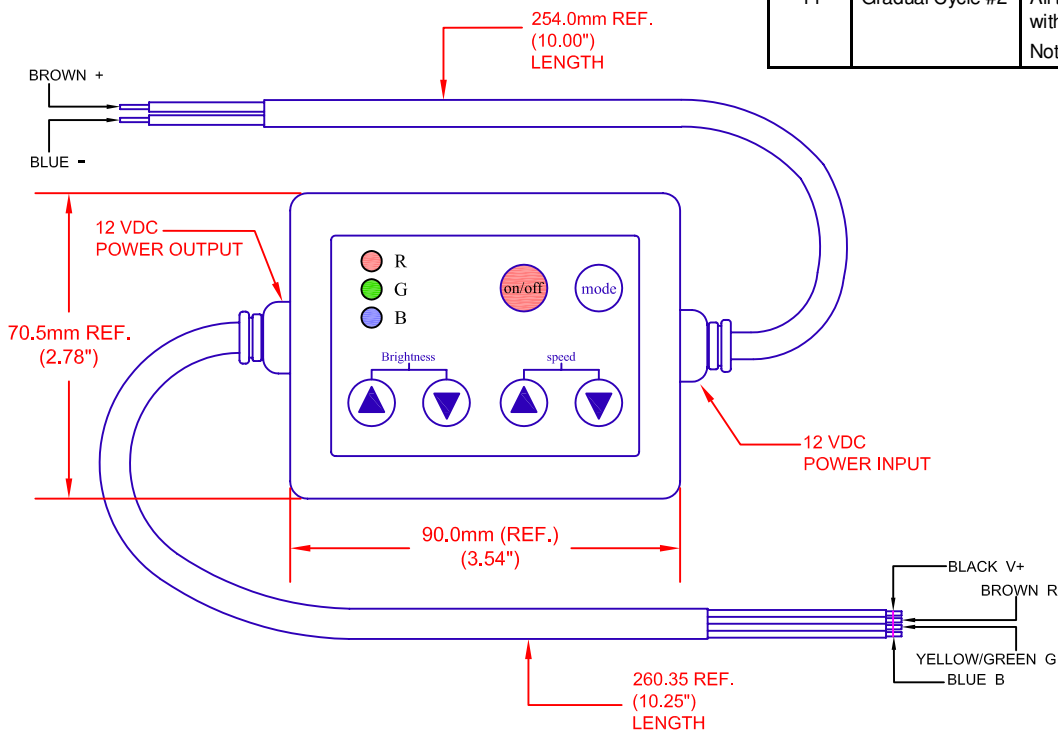


RATINGS

CHARACTERISTICS	UNIT	MINIMUM	TYPICAL	MAXIMUM
Input Voltage	Volts DC		12	
Load Current	Amps		4	6
Operating Temperature	degrees C	-20		60

MODES

MODE #	TITLE	DESCRIPTION
1	Static Red	The "R" output is constantly ON
2	Static Blue	The "B" output is constantly ON
3	Static Violet	The "R and G" output is constantly ON
4	Static Green	The "G" output is constantly ON
5	Static Yellow	The "R and G" outputs are constantly ON
6	Static Cyan	The "G, and B" outputs are constantly ON
7	Static White	The "R, G, and B" outputs are constantly ON
8	Flash Cycle #1	The "R, B, and G" outputs go ON and OFF in order
9	Flash Cycle #2	All the static colors come ON and OFF in a sequence
10	Gradual Cycle #1	The "R, G, and B" output go ON and OFF in order with overlap between colors (Brightness adjust Not Available)
11	Gradual Cycle #2	All the static colors come ON and OFF in a sequence with overlap between colors (Brightness adjust Not Available)



JKL PART NO.: ZCTR-03-RGB

METRIC	DIMENSIONS ARE IN mm (INCHES)
	TOLERANCE UNLESS OTHERWISE SPECIFIED
	1 PL +/- REF.
	2 PL +/- ANGLE +/-

JKL COMPONENTS CORPORATION

TITLE		LED RGB CONTROLLER	
-------	--	--------------------	--

REV. NO.	DESCRIPTION/ECO NUMBER	APPV'D DATE	DRAWN BY	APPV'D BY	DATE	SIZE	FSCM NO.	DRAWING NO.	RELEASED DATE	REVISION DATE	REV. NO.	SHEET
	RELEASE AND CANCEL PL-0901-03	5/7/09	L. WENGSTROM	L.R.	5/7/09	A	55335	ZCTR-03-RGB	5/7/09			1 OF 1
			- CAD DRAWING -			SCALE		REVISION DATE		REV. NO.		SHEET
			MANUAL REVISIONS NOT PERMITTED			NONE		5/7/09				1 OF 1