



Chipsmall Limited consists of a professional team with an average of over 10 year of expertise in the distribution of electronic components. Based in Hongkong, we have already established firm and mutual-benefit business relationships with customers from,Europe,America and south Asia,supplying obsolete and hard-to-find components to meet their specific needs.

With the principle of “Quality Parts,Customers Priority,Honest Operation,and Considerate Service”,our business mainly focus on the distribution of electronic components. Line cards we deal with include Microchip,ALPS,ROHM,Xilinx,Pulse,ON,Everlight and Freescale. Main products comprise IC,Modules,Potentiometer,IC Socket,Relay,Connector.Our parts cover such applications as commercial,industrial, and automotives areas.

We are looking forward to setting up business relationship with you and hope to provide you with the best service and solution. Let us make a better world for our industry!



Contact us

Tel: +86-755-8981 8866 Fax: +86-755-8427 6832

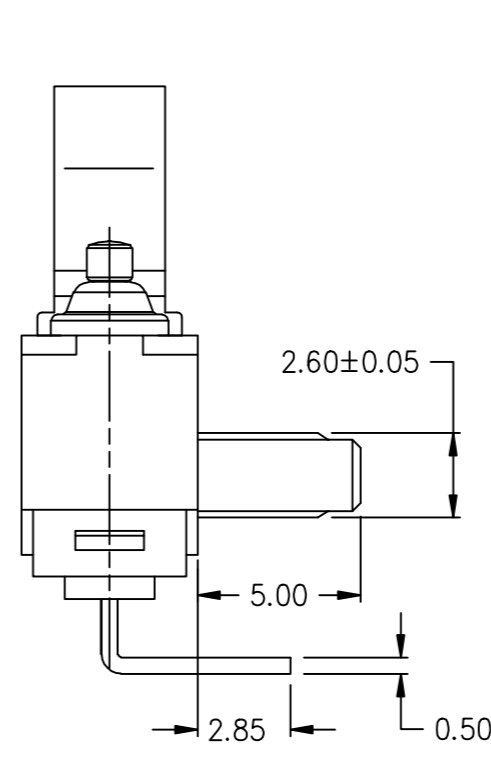
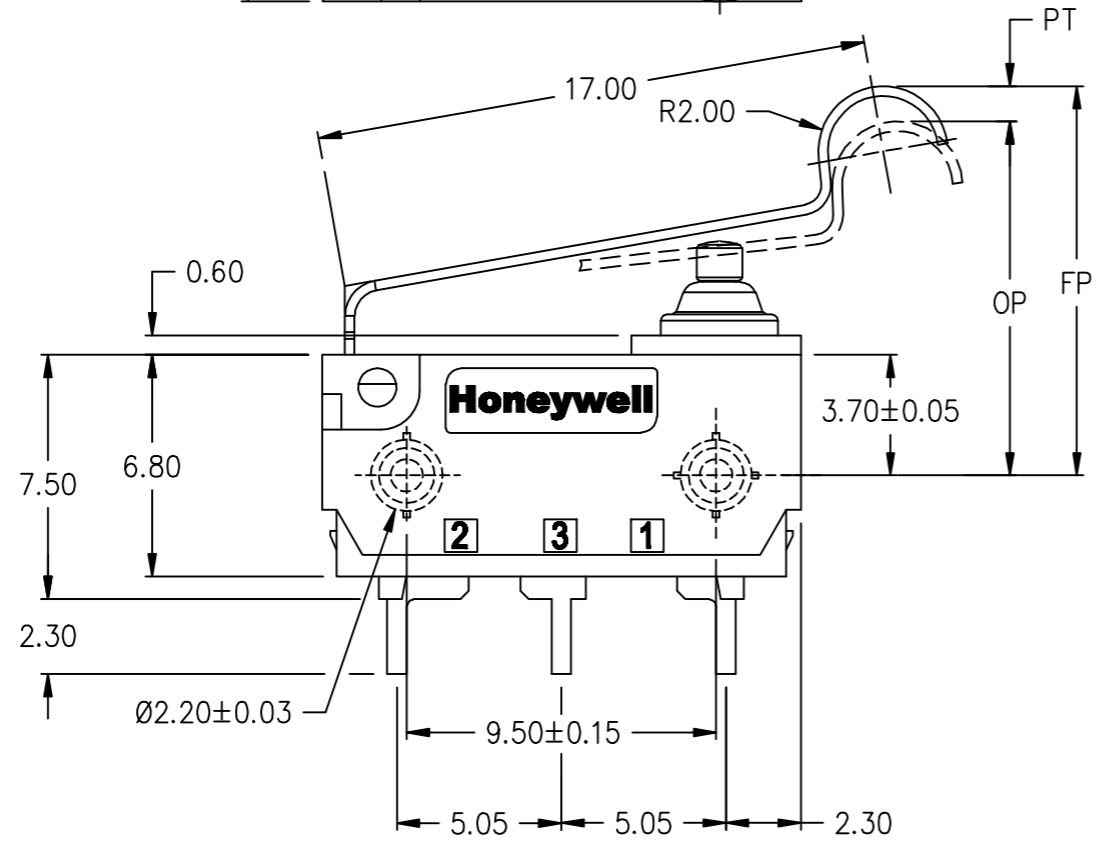
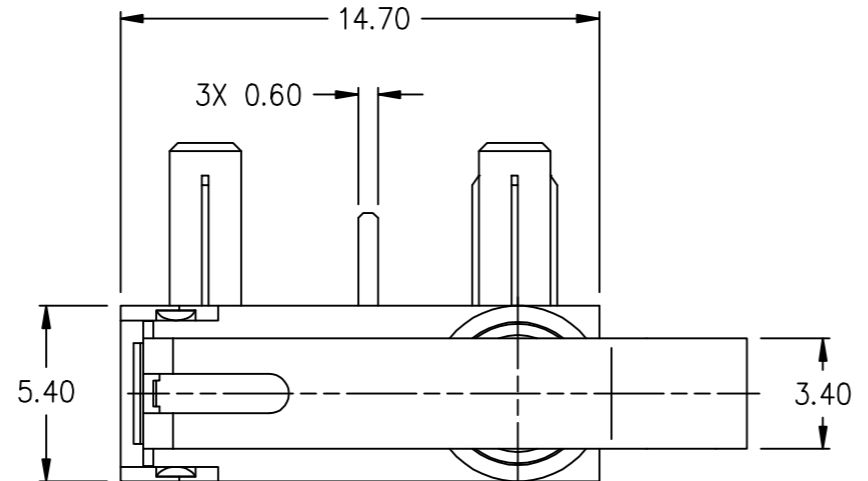
Email & Skype: info@chipsmall.com Web: www.chipsmall.com

Address: A1208, Overseas Decoration Building, #122 Zhenhua RD., Futian, Shenzhen, China

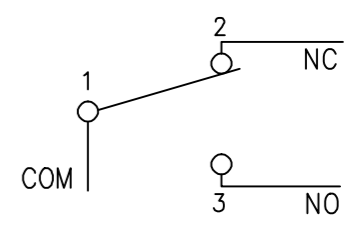


HONEYWELL
PART NUMBER
ZD30S60H02-Z
PRODUCT CODE
FBY4024

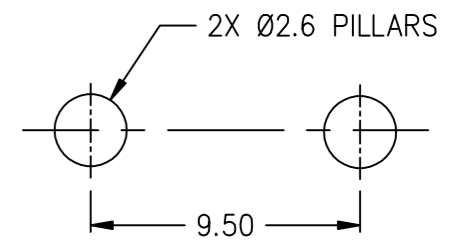
REV	DOCUMENT	CHANGED BY	CHECK
A	0077732	SBH 16JUN11	CMH



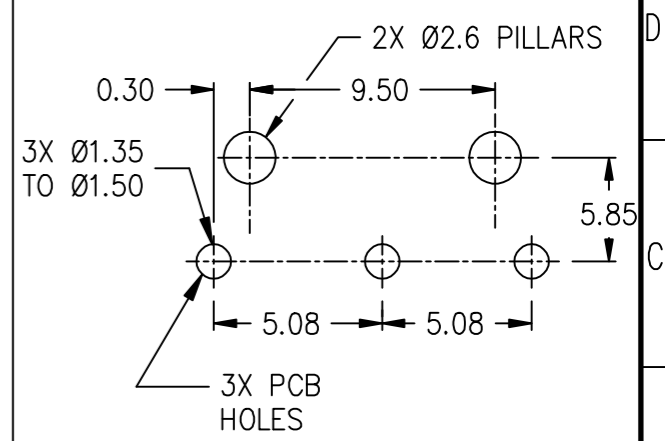
CIRCUIT DIAGRAM



MOUNTING HOLE DIMENSIONS



LEFT/RIGHT PCB TERMINALS MOUNTING HOLE



- NOTES:
1. MOUNTING HOLES WILL ACCEPT Ø2.6 MAX PINS.
2. SWITCH PROTECTION IS IP67 IF EXCLUDE THE TERMINALS.

CHARACTERISTICS	
OPERATING FORCE:	180gf MAX.
DIFFERENTIAL FORCE:	
RELEASE FORCE:	20gf MIN.
FREE POSITION:	
OPERATING POSITION:	10.7±0.7MM.
PRE-TRAVEL:	3.8MM MAX.
DIFFERENTIAL TRAVEL:	0.7MM MAX.
OVER-TRAVEL:	1.5MM MIN.
FULL OVERTRAVEL FORCE:	

ELECTRICAL DATA	
CONTACT ARRANGEMENT	PROTECTION
S.P.D.T.	IP00 (SEE NOTE 2)
RATINGS	
0.1A 48VDC 125/250VAC	
3A 12VDC	
µ 40T85 1E5	
0.1A 48VDC 125/250VAC	
3A 12VDC	

DESIGN UNITS: MM			
TOLERANCES UNLESS NOTED:			
NO PLACES	X	±	-
ONE PLACE	.X	±	-
TWO PLACE	.XX	±	0.40
THREE PLACE	.XXX	±	-
ANGLES	X	±	2'
THIRD ANGLE PROJECTION			

DRAWN	SBH	25MAY11
CHECK	PJ	25MAY11
THIS DRAWING COVERS A PROPRIETARY ITEM AND IS THE PROPERTY OF HONEYWELL. THIS DRAWING IS NOT TO BE COPIED OR USED WITHOUT THE PERMISSION OF HONEYWELL.		
INTERPRET PER ASME Y14.5M-1994 OTHER HONEYWELL ENGINEERING STANDARDS MAY APPLY		
AUTOCAD 2D		

Honeywell				
TITLE SWITCH - BASIC				
SIZE	TYPE	CAGE CODE	DRAWING NAME	REV
A3	1	-	ZD30S60H02-Z	A
SCALE	NONE	SHEET 1 OF 1		