



Chipsmall Limited consists of a professional team with an average of over 10 year of expertise in the distribution of electronic components. Based in Hongkong, we have already established firm and mutual-benefit business relationships with customers from,Europe,America and south Asia,supplying obsolete and hard-to-find components to meet their specific needs.

With the principle of “Quality Parts,Customers Priority,Honest Operation,and Considerate Service”,our business mainly focus on the distribution of electronic components. Line cards we deal with include Microchip,ALPS,ROHM,Xilinx,Pulse,ON,Everlight and Freescale. Main products comprise IC,Modules,Potentiometer,IC Socket,Relay,Connector.Our parts cover such applications as commercial,industrial, and automotives areas.

We are looking forward to setting up business relationship with you and hope to provide you with the best service and solution. Let us make a better world for our industry!



## Contact us

Tel: +86-755-8981 8866 Fax: +86-755-8427 6832

Email & Skype: info@chipsmall.com Web: www.chipsmall.com

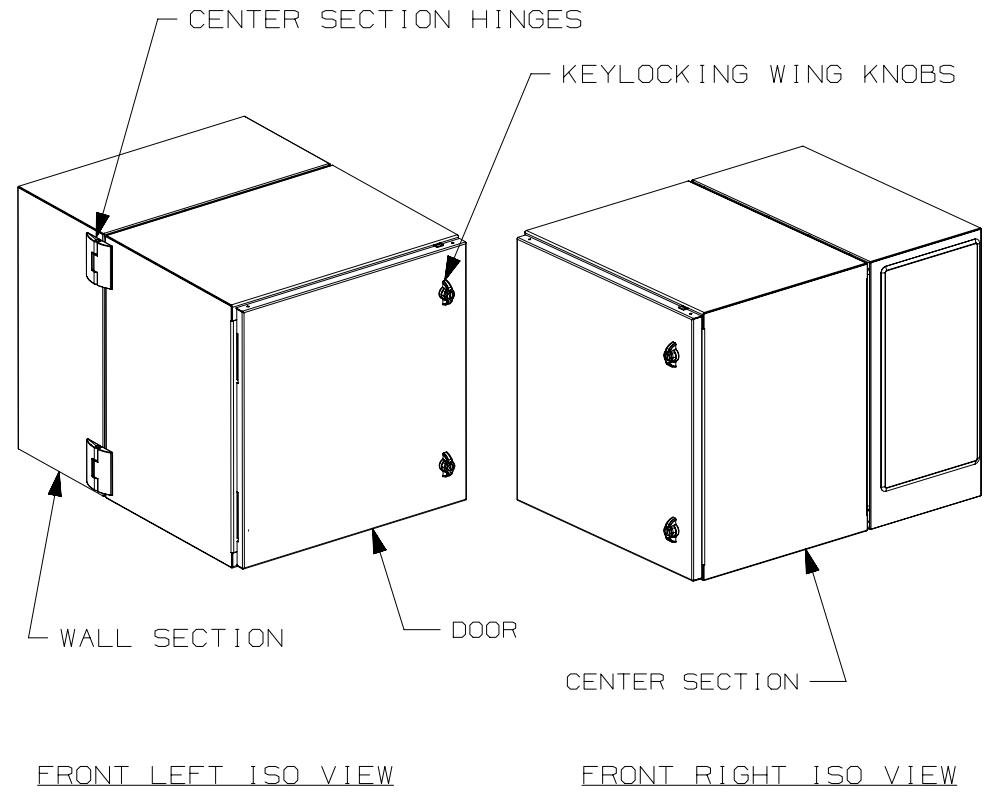
Address: A1208, Overseas Decoration Building, #122 Zhenhua RD., Futian, Shenzhen, China



THIS COPY IS PROVIDED ON A RESTRICTED BASIS AND IS NOT TO BE USED IN ANY WAY DETRIMENTAL TO THE INTERESTS OF PANDUIT CORP.

**NOTES:**

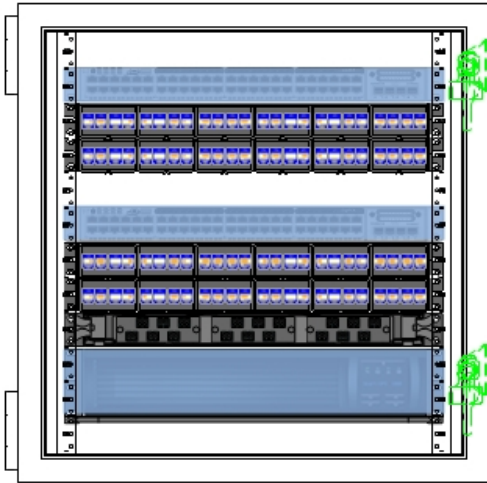
1. VISIT OUR ON-LINE CATALOG AT WWW.PANDUIT.COM FOR A LIST OF CURRENT PARTS APPLICABLE FOR USE WITH THIS PRODUCT AND INSTRUCTION SHEET IA-CD-0004.
2. DIMENSIONS IN PARENTHESES ARE METRIC [mm].
3. CAN BE USED WITH ANY 19" CEA STANDARD PANEL.
4. PARTS SUPPLIED:
  - 12RU DUAL HINGE NEMA 4/12 ENCLOSURE
  - KEYLOCKING WING KNOBS ARE INCLUDED PROVIDING ACCESS CONTROL TO THE ENCLOSURE.
  - (2) KEYS ARE INCLUDED WITH EACH ENCLOSURE.
  - ACCOMODATIONS FOR AN OPTIONAL AIR CONDITIONER.
  - INSTALLED FRONT AND REAR CAGE NUT RAILS IN OPTIMIZED POSITIONS FOR EQUIPMENT MOUNTING.
  - INSTALLED FIBER ENCLOSURE (72 FIBER CAPACITY)
  - INSTALLED (2) 48-PORT PATCH PANELS
  - INSTALLED CABLE MANAGEMENT
  - INSTALLED DOOR GROUND WHIPS, EQUIPMENT GROUND WHIPS (ONE END)
  - INSTALLED GROUND BAR
  - INFRASTRUCTURE GROUND CABLE
  - 10" LONG DIN RAIL MOUNTING PROVISION
  - CABLE/FIBER/POWER PENETRATION RECOMMENDATION TEMPLATE
  - INSTRUCTIONS FOR CABLE ROUTING AND MANAGEMENT
5. CENTER HINGED SECTION  
MAXIMUM LOAD RATING: 250 LBS [113.4 kg].
6. MAXIMUM EQUIPMENT DEPTH: 22.69" (576mm).  
IF NO THIRD CABLE TRUNK IS UTILIZED,  
24.9" (632mm) IS AVAILABLE.



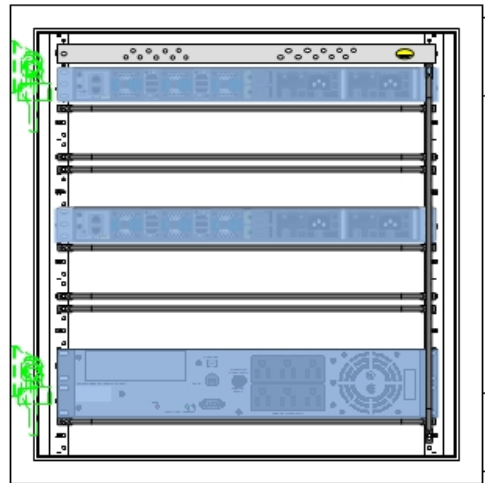
SHIPPING LENGTH	44" (1117.6 mm)
SHIPPING WIDTH	44" (1117.6 mm)
SHIPPING HEIGHT	35" (889 mm)
SHIPPING WEIGHT	184 lbs. (83.5 kg.)
ENCLOSURE WEIGHT	141 lbs. (64 kg.)

TITLE		<b>ZDF242430 PRECONFIGURED 24" INDUSTRIAL DISTRIBUTION FRAME</b>	
		CUSTOMER DRAWING	
ITEM REVISION NAME		00155LAA/01	
DATASET FILE NAME		00155LAA_DC-01A	
UNLESS OTHERWISE SPECIFIED, DIMENSIONAL TOLERANCES ARE: IN [mm]		<b>PANDUIT</b> MATERIAL: MATERIAL: DOOR: 16 GA. STEEL CENTER AND WALL SECTION: 14 GA. STEEL FINISH: RAL 7035 LIGHT-GRAY, LOW-GLOSS, LIGHTLY TEXTURED POLYESTER POWDER PAINT DRAWING NUMBER: 00155LAA_DC-01A	
.x ± .1 [2.54]      .xxx ± .015 [0.38]			
.xx ± .03 [0.76]      ANGLES ± 5 °			
THIRD ANGLE PROJECTION			
DRAWN BY	DATE	CHK	SCALE
JBO	02/02/17	DAJP	NONE
SHT 1 OF 4		A	

01A	02/02/17	JBO	DAJP	SVASH	RELEASED	00155LAA
REV	DATE	BY	CHK	APR	DESCRIPTION	ECN



Front View

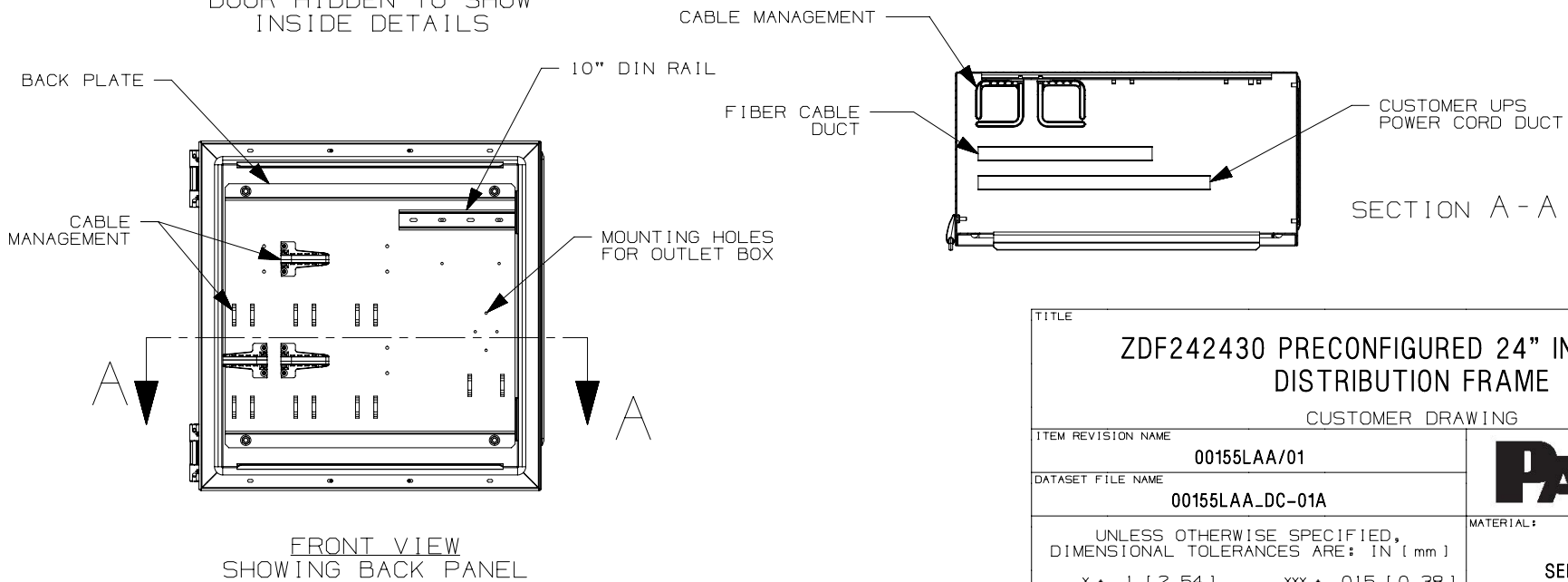
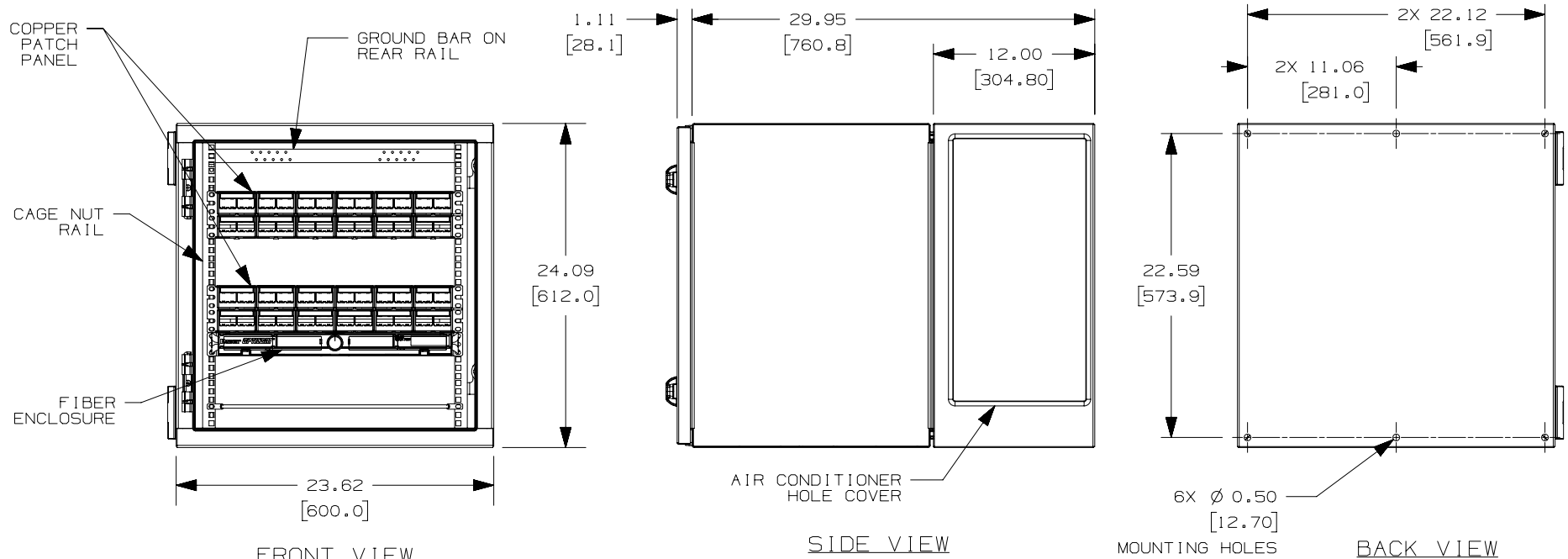


Rear View

- RU 12 PANDUIT RGRB19CN GROUND BAR
- RU 11 CUSTOMER SWITCH – “B”
- RU 9-10 PANDUIT CPPL48WBLY 48 PORT PATCH PANEL
  
- RU 8 open
- RU 7 CUSTOMER SWITCH – “A”
- RU 5-6 PANDUIT CPPL48WBLY 48 PORT PATCH PANEL
  
- RU 4 PANDUIT FRME1U FIBER RACK MOUNT ENCLOSURE
- RU 2-3 CUSTOMER UPS
  
- RU 1 open

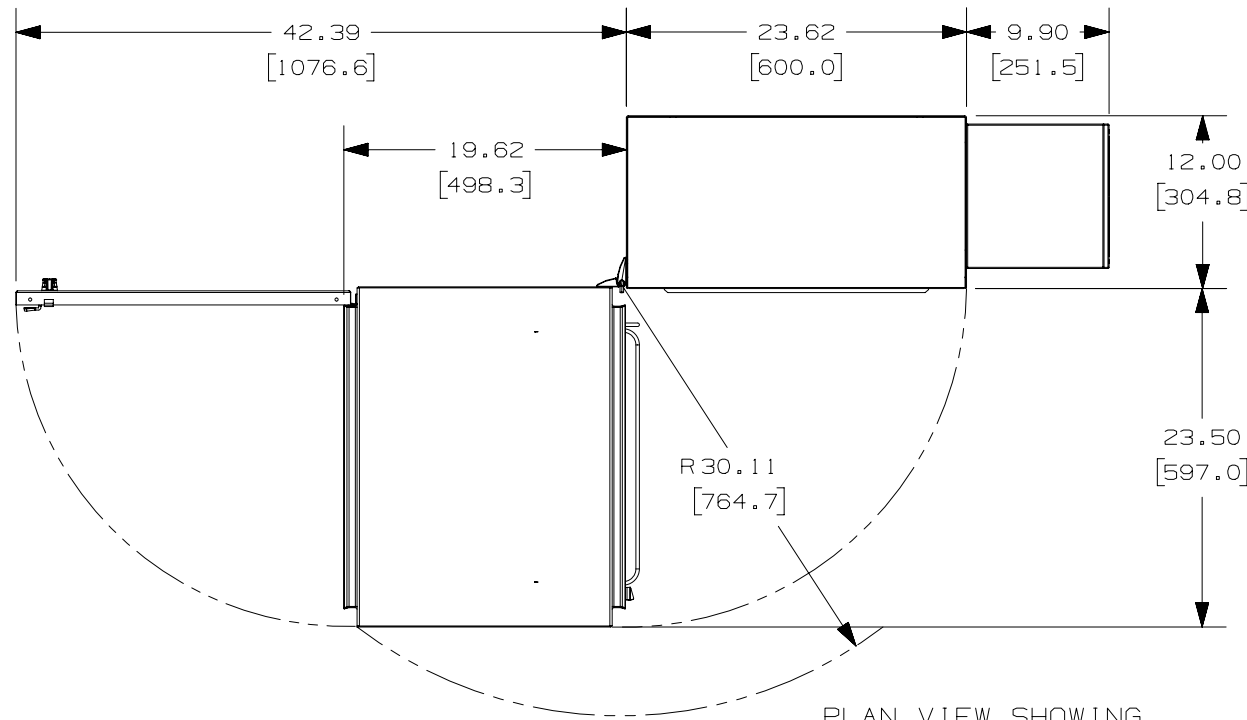
TITLE		<b>ZDF242430 PRECONFIGURED 24” INDUSTRIAL DISTRIBUTION FRAME</b>						
		CUSTOMER DRAWING						
ITEM REVISION NAME		00155LAA/01						
DATASET FILE NAME		00155LAA_DC-01A						
UNLESS OTHERWISE SPECIFIED, DIMENSIONAL TOLERANCES ARE: IN ( mm )		<b>PANDUIT</b>						
.x ± .1 [ 2.54 ]      .xxx ± .015 [ 0.38 ]								
.xx ± .03 [ 0.76 ]      ANGLES ± 5 °								
DRAWING NUMBER:		00155LAA_DC_01A						
THIRD ANGLE PROJECTION								
DRAWN BY	DATE	CHK	SCALE					
JBO	02/02/17	DAJP	NONE					
REV	DATE	BY	CHK	APR	DESCRIPTION	ECN	SHT 2 OF 4	SIZE
01A	02/02/17	JBO	DAJP	SVASH	SEE SHEET 1 FOR REVISION CONTROL	00155LAA		A

THIS COPY IS PROVIDED ON A RESTRICTED BASIS AND IS NOT TO BE USED IN ANY WAY DETRIMENTAL TO THE INTERESTS OF PANDUIT CORP.

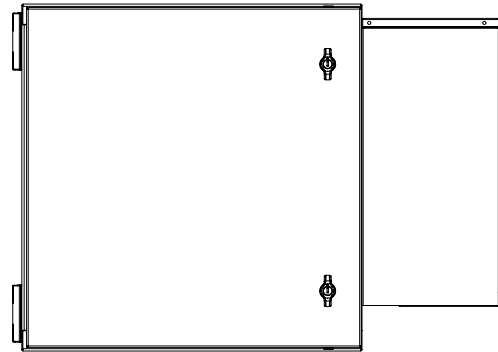


TITLE		ZDF242430 PRECONFIGURED 24" INDUSTRIAL DISTRIBUTION FRAME	
CUSTOMER DRAWING			
ITEM REVISION NAME	00155LAA/01	<b>PANDUIT</b>	
DATASET FILE NAME	00155LAA_DC-01A		
UNLESS OTHERWISE SPECIFIED, DIMENSIONAL TOLERANCES ARE: IN (mm)		MATERIAL:	
.x ± .1 [2.54]	.xxx ± .015 [0.38]	SEE SHEET 1 NOTES	
.xx ± .03 [0.76]	ANGLES ± 5°	DRAWING NUMBER:	
THIRD ANGLE PROJECTION		00155LAA_DC-01A	
DRAWN BY	DATE	CHK	SCALE
JBO	02/02/17	DAJP	NONE
REV	DATE	BY	CHK
01A	02/02/17	JBO	DAJP
APR	SVASH	SEE SHEET 1 FOR REVISION CONTROL	
DESCRIPTION	ECN	SHT 3 OF 4	
		A	

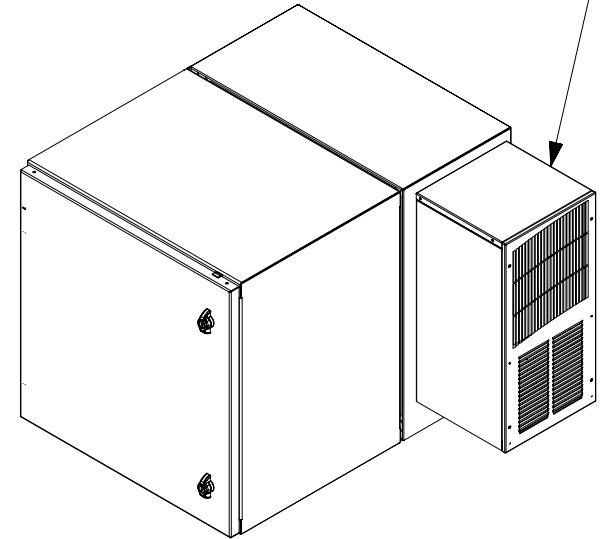
THIS COPY IS PROVIDED ON A RESTRICTED BASIS AND IS NOT TO BE USED IN ANY WAY DETRIMENTAL TO THE INTERESTS OF PANDUIT CORP.



PLAN VIEW SHOWING OPEN ENCLOSURE



OPTIONAL HOFFMAN T20 MODEL AIR CONDITIONER



ISOMETRIC VIEW SHOWING OPTIONAL AIR CONDITIONER

TITLE										ZDF242430 PRECONFIGURED 24" INDUSTRIAL DISTRIBUTION FRAME									
										CUSTOMER DRAWING									
ITEM REVISION NAME					00155LAA/01					<b>PANDUIT</b>									
DATASET FILE NAME					00155LAA_DC-01A														
UNLESS OTHERWISE SPECIFIED, DIMENSIONAL TOLERANCES ARE: IN (mm)										MATERIAL:									
.x ± .1 [2.54]					.xxx ± .015 [0.38]					SEE SHEET 1 NOTES									
.xx ± .03 [0.76]					ANGLES ± 5 °					DRAWING NUMBER:									
					THIRD ANGLE PROJECTION					00155LAA_DC-01A									
DRAWN BY		DATE		CHK		SCALE		SHT 4 OF 4		SIZE									
JBO		02/02/17		DAJP		NONE				A									

01A	02/02/17	JBO	DAJP	SVASH	SEE SHEET 1 FOR REVISION CONTROL	00155LAA
REV	DATE	BY	CHK	APR	DESCRIPTION	ECN