



Chipsmall Limited consists of a professional team with an average of over 10 year of expertise in the distribution of electronic components. Based in Hongkong, we have already established firm and mutual-benefit business relationships with customers from,Europe,America and south Asia,supplying obsolete and hard-to-find components to meet their specific needs.

With the principle of “Quality Parts,Customers Priority,Honest Operation,and Considerate Service”,our business mainly focus on the distribution of electronic components. Line cards we deal with include Microchip,ALPS,ROHM,Xilinx,Pulse,ON,Everlight and Freescale. Main products comprise IC,Modules,Potentiometer,IC Socket,Relay,Connector.Our parts cover such applications as commercial,industrial, and automotives areas.

We are looking forward to setting up business relationship with you and hope to provide you with the best service and solution. Let us make a better world for our industry!



Contact us

Tel: +86-755-8981 8866 Fax: +86-755-8427 6832

Email & Skype: info@chipsmall.com Web: www.chipsmall.com

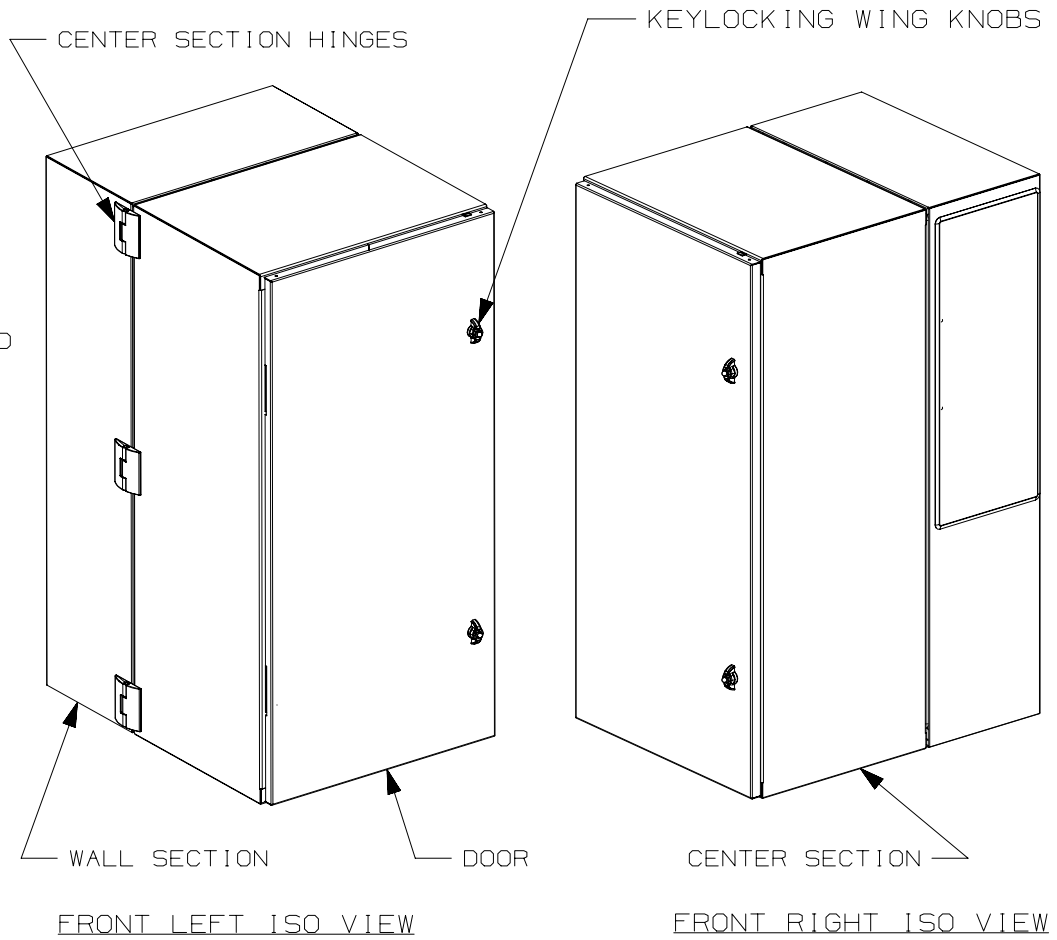
Address: A1208, Overseas Decoration Building, #122 Zhenhua RD., Futian, Shenzhen, China



THIS COPY IS PROVIDED ON A RESTRICTED BASIS AND IS NOT TO BE USED IN ANY WAY DETRIMENTAL TO THE INTERESTS OF PANDUIT CORP.

NOTES:

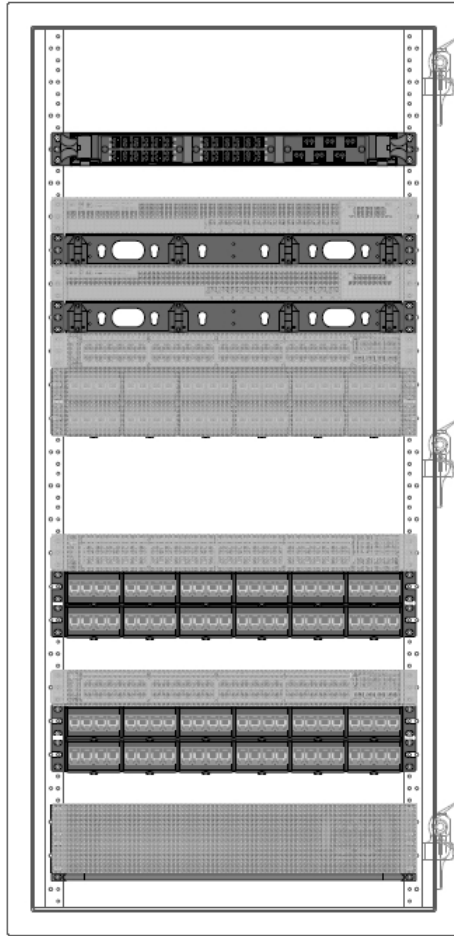
1. VISIT OUR ON-LINE CATALOG AT WWW.PANDUIT.COM FOR A LIST OF CURRENT PARTS APPLICABLE FOR USE WITH THIS PRODUCT AND INSTRUCTION SHEET (V00028CA).
2. DIMENSIONS IN PARENTHESES ARE METRIC [mm].
3. CAN BE USED WITH ANY 19" CEA STANDARD PANEL.
4. PARTS SUPPLIED:
 - 26RU DUAL HINGE NEMA 4/12 ENCLOSURE
 - KEYLOCKING WING KNOBS ARE INCLUDED PROVIDING ACCESS CONTROL TO THE ENCLOSURE. (2) KEYS ARE INCLUDED WITH EACH ENCLOSURE.
 - ACCOMODATIONS FOR AN OPTIONAL AIR CONDITIONER.
 - RAL 7035 LIGHT-GRAY, LOW GLOSS, LIGHTLY TEXTURED POLYESTER POWDER COAT
 - INSTALLED FRONT AND REAR CAGE NUT RAILS IN OPTIMIZED POSITIONS FOR EQUIPMENT MOUNTING.
 - INSTALLED POWER RECEPTACLE
 - INSTALLED FIBER ENCLOSURE (72 FIBER CAPACITY)
 - INSTALLED (2) 48-PORT PATCH PANELS
 - INSTALLED CABLE MANAGEMENT
 - INSTALLED DOOR GROUND WHIPS, EQUIPMENT GROUND WHIPS (ONE END)
 - INSTALLED GROUND BAR
 - INFRASTRUCTURE GROUND CABLE
 - POWER CORDS, LABELED AND LENGTH OPTIMIZED
 - 10" LONG DIN RAIL MOUNTING PROVISION
 - CABLE/FIBER/POWER PENETRATION RECOMMENDATION TEMPLATE
 - INSTRUCTIONS FOR CABLE ROUTING AND MANAGEMENT
5. CENTER HINGED SECTION
MAXIMUM LOAD RATING: 350 LBS [158.8 kg].



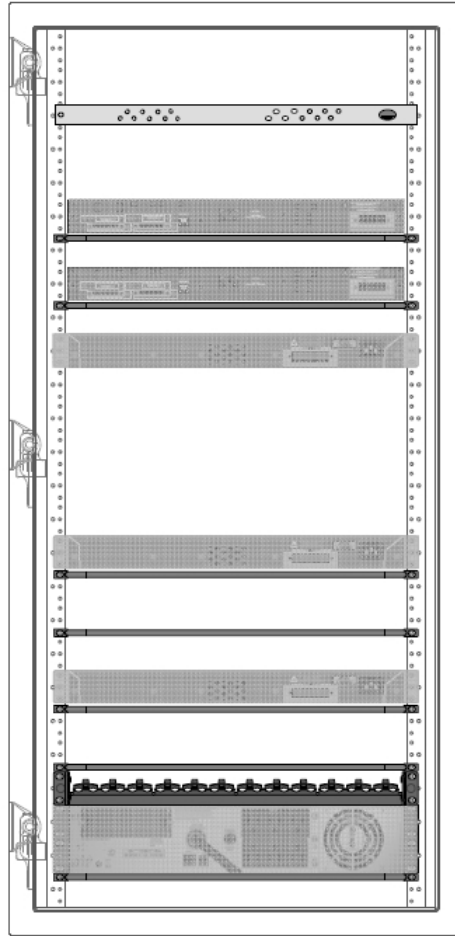
SHIPPING LENGTH	57"
SHIPPING WIDTH	39"
SHIPPING HEIGHT	35-1/4"
SHIPPING WEIGHT	270 lbs. 122.5 kg.
ENCLOSURE WEIGHT	218 lbs. 98.9 kg.

TITLE		ZDF48-RA PRECONFIGURED 48" INDUSTRIAL DISTRIBUTION FRAME	
		CUSTOMER DRAWING	
ITEM REVISION NAME		13V397AD/03	
DATASET FILE NAME		13V397AD_DC_03C	
UNLESS OTHERWISE SPECIFIED, DIMENSIONAL TOLERANCES ARE: IN [mm]		MATERIAL:	
.x ± .1 [2.54]		.xxx ± .015 [0.38]	
.xx ± .03 [0.76]		ANGLES ± 5 °	
DRAWING NUMBER:		13V397AD_DC	
DRAWN BY		DAJP	
DATE		05/05/2014	
CHK		NWW	
SCALE		NONE	
SHT 1 OF 4		A	

03C	1/4/18	JBO	NWW	TIMH	RELEASED TO PRODUCTION	13V397AD
REV	DATE	BY	CHK	APR	DESCRIPTION	ECN

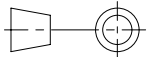


Front View



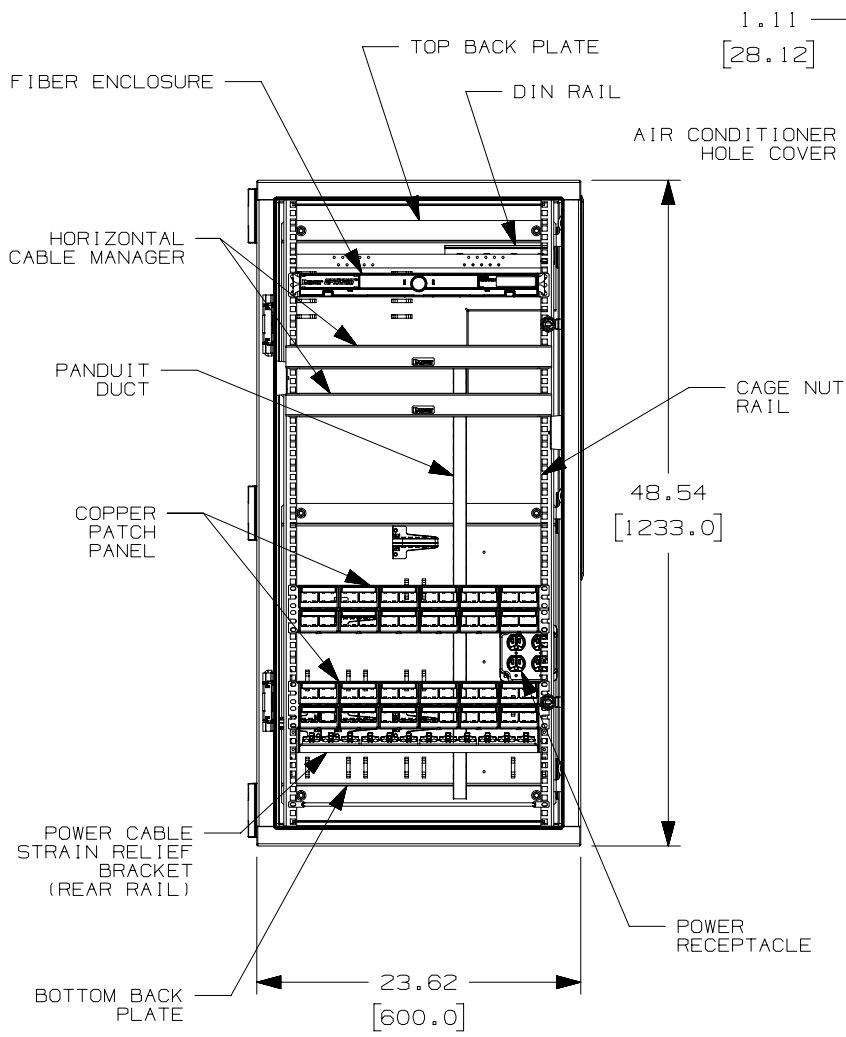
Back View

- RU 24 PANDUIT RGRG19CN GROUND BAR
- RU 23 PANDUIT FRME1U FIBER ENCLOSURE
- RU 22 OPEN (ADDITIONAL FRME1U IF REQUIRED)
- RU 21 CUSTOMER SWITCH w/ 12 FIBER LS NICs – “B”
- RU 20 PANDUIT CMPHF1 HORIZONTAL CABLE MANGER
- RU 19 CUSTOMER FIBER w/ 12 FIBER LS NICs– “A”
- RU 18 PANDUIT CMPHF1 HORIZONTAL CABLE MANGER
- RU 17 OPTIONAL CUSTOMER SWITCH – “C”
- RU 15-16 OPTIONAL PANDUIT CPP48WBLY 48 PORT COPPER PATCH PANEL
- RU 12-14 OPEN
- RU 11 CUSTOMER SWITCH – “B”
- RU 9-10 PANDUIT CPP48WBLY 48 PORT COPPER PATCH PANEL
- RU 8 OPEN
- RU 7 CUSTOMER SWITCH – “A”
- RU 5-6 PANDUIT CPP48WBLY 48 PORT COPPER PATCH PANEL
- RU 4 PANDUIT SRBBRWC STRAIN RELIEF BAR
- RU 2-3 CUSTOMER UPS
- RU 1 OPEN

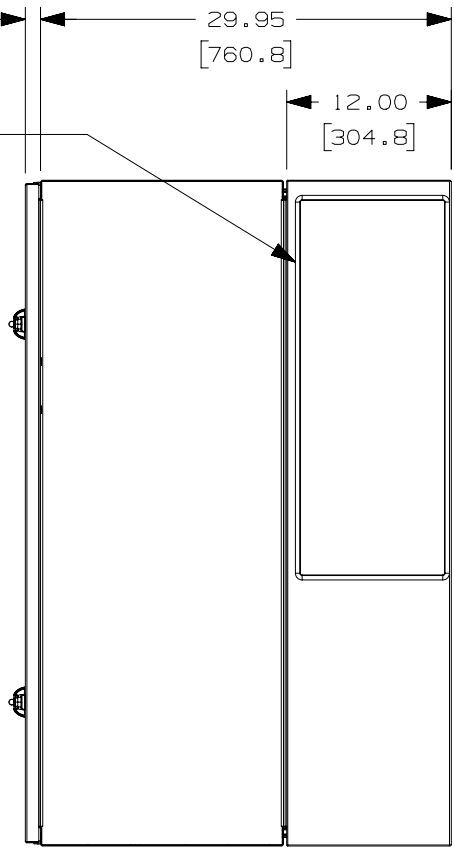
TITLE		ZDF48-RA PRECONFIGURED 48” INDUSTRIAL DISTRIBUTION FRAME	
		CUSTOMER DRAWING	
ITEM REVISION NAME		13V397AD/03	
DATASET FILE NAME		13V397AD_DC_03C	
UNLESS OTHERWISE SPECIFIED, DIMENSIONAL TOLERANCES ARE: IN (mm)		PANDUIT	
.x ± .1 [2.54] .xxx ± .015 [0.38] .xx ± .03 [0.76] ANGLES ± 5 °			
 THIRD ANGLE PROJECTION		MATERIAL:	
		SEE SHEET 1 NOTES	
DRAWING NUMBER:		13V397AD_DC	
DRAWN BY	DATE	CHK	SCALE
DAJP	05/05/2014	NWW	NONE
REV	DATE	BY	CHK
03C	1/4/18	JBO	NWW
APR		TIMH	
DESCRIPTION		ECN	
REFER TO SHEET 1 FOR REVISION CONTROL		13V397AD	
SHT 2 OF 4		A	

REV	DATE	BY	CHK	APR	DESCRIPTION	ECN
03C	1/4/18	JBO	NWW	TIMH	REFER TO SHEET 1 FOR REVISION CONTROL	13V397AD

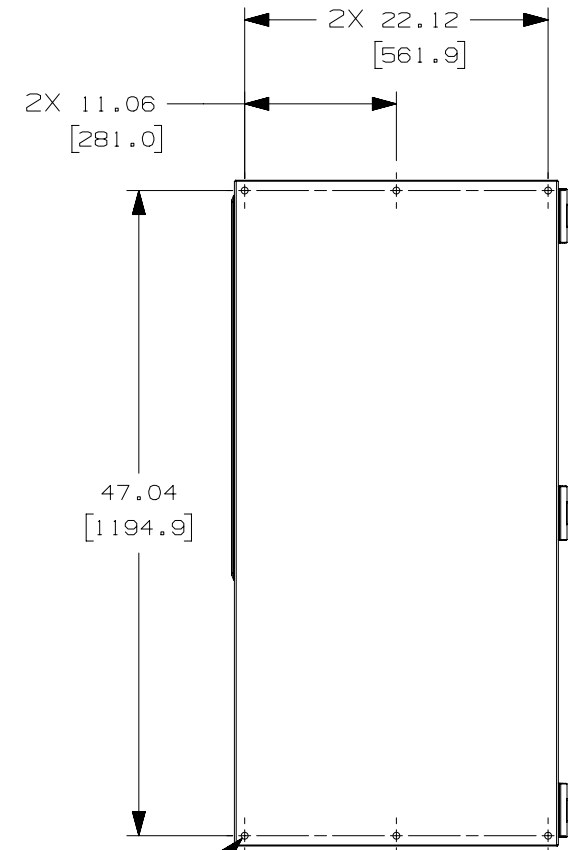
THIS COPY IS PROVIDED ON A RESTRICTED BASIS AND IS NOT TO BE USED IN ANY WAY DETRIMENTAL TO THE INTERESTS OF PANDUIT CORP.



FRONT VIEW
DOOR HIDDEN TO SHOW
INSIDE DETAILS



SIDE VIEW



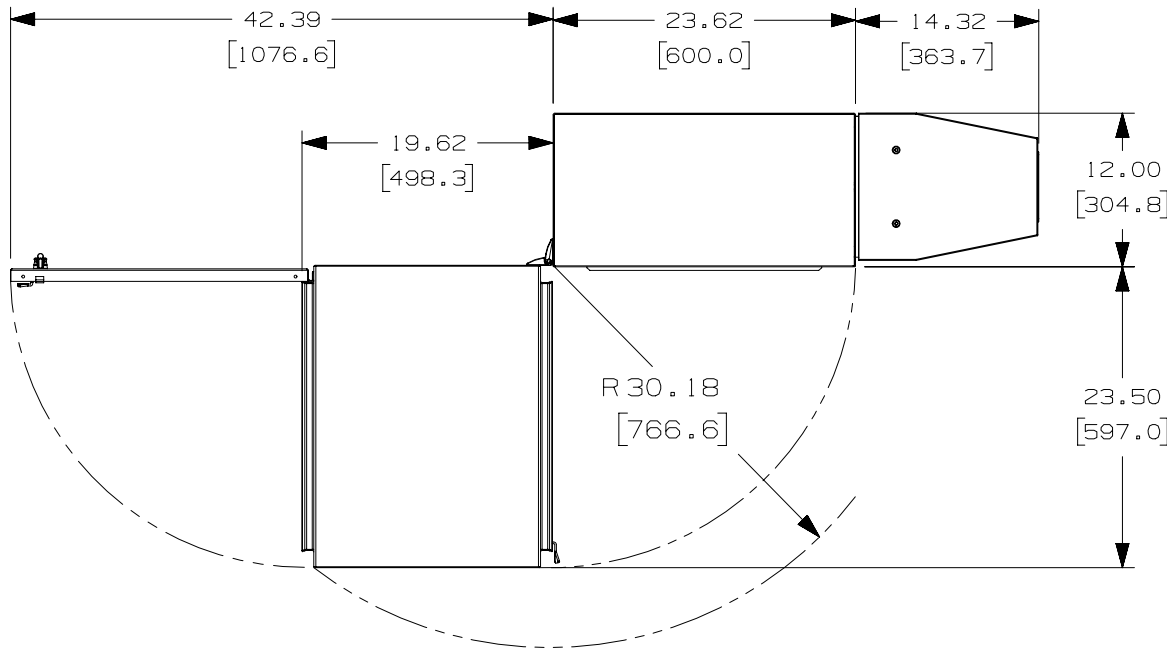
BACK VIEW

6X Ø 0.50
[12.70]
MOUNTING HOLES

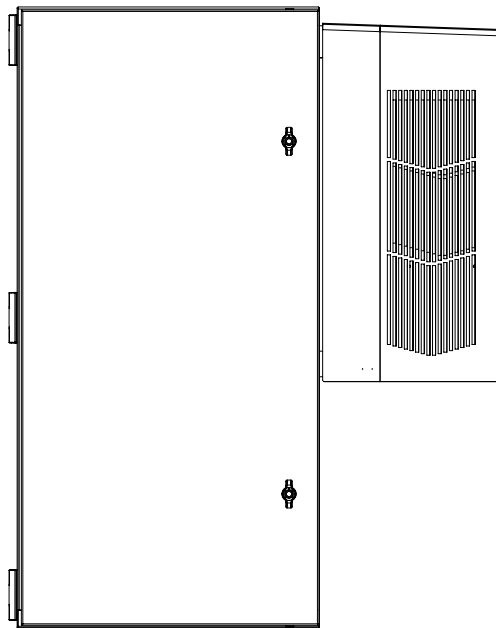
TITLE		ZDF48-RA PRECONFIGURED 48" INDUSTRIAL DISTRIBUTION FRAME	
CUSTOMER DRAWING			
ITEM REVISION NAME	13V397AD/03	PANDUIT	
DATASET FILE NAME	13V397AD_DC_03C		
UNLESS OTHERWISE SPECIFIED, DIMENSIONAL TOLERANCES ARE: IN (mm)		MATERIAL:	
.x ± .1 [2.54]	.xxx ± .015 [0.38]	SEE SHEET 1 NOTES	
.xx ± .03 [0.76]	ANGLES ± 5 °	DRAWING NUMBER:	
THIRD ANGLE PROJECTION		13V397AD_DC	
DRAWN BY	DATE	CHK	SCALE
DAJP	05/05/2014	NWW	NONE
SHT 3 OF 4		SIZE	
A		A	

03C	1/4/18	JBO	NWW	TIMH	REFER TO SHEET 1 FOR REVISION CONTROL	13V397AD
REV	DATE	BY	CHK	APR	DESCRIPTION	ECN

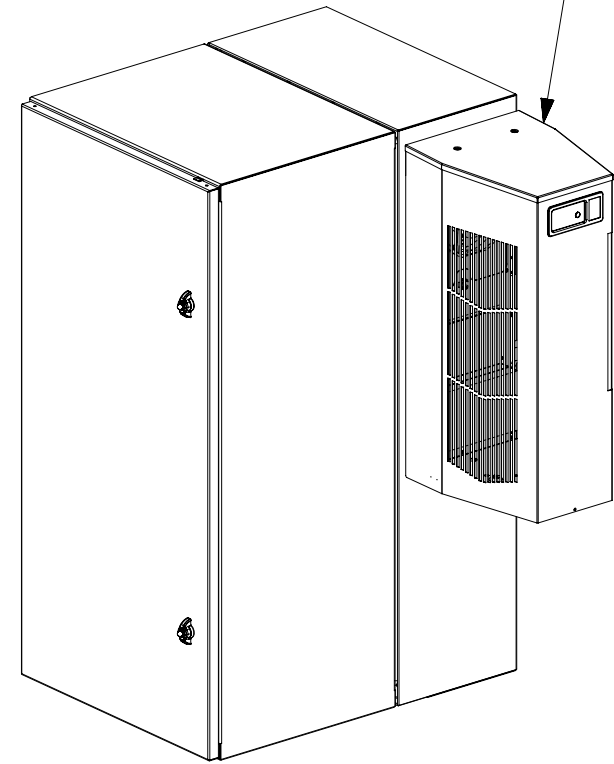
THIS COPY IS PROVIDED ON A RESTRICTED BASIS AND IS NOT TO BE USED IN ANY WAY DETRIMENTAL TO THE INTERESTS OF PANDUIT CORP.



PLAN VIEW SHOWING OPEN ENCLOSURE



OPTIONAL HOFFMAN N28 MODEL AIR CONDITIONER



ISOMETRIC VIEW SHOWING OPTIONAL AIR CONDITIONER

TITLE										ZDF48-RA PRECONFIGURED 48" INDUSTRIAL DISTRIBUTION FRAME									
										CUSTOMER DRAWING									
ITEM REVISION NAME					13V397AD/03					PANDUIT									
DATASET FILE NAME					13V397AD_DC_03C														
UNLESS OTHERWISE SPECIFIED, DIMENSIONAL TOLERANCES ARE: IN (mm)										MATERIAL:									
.x ± .1 [2.54]					.xxx ± .015 [0.38]					SEE SHEET 1 NOTES									
.xx ± .03 [0.76]					ANGLES ± 5°					DRAWING NUMBER:									
					THIRD ANGLE PROJECTION					13V397AD_DC									
DRAWN BY		DATE		CHK		SCALE				DRAWN BY		DATE		CHK		SCALE			
DAJP		05/05/2014		NWW		NONE				SHT 4 OF 4								A	

03C	1/4/18	JBO	NWW	TIMH	REFER TO SHEET 1 FOR REVISION CONTROL	13V397AD
REV	DATE	BY	CHK	APR	DESCRIPTION	ECN