



Chipsmall Limited consists of a professional team with an average of over 10 year of expertise in the distribution of electronic components. Based in Hongkong, we have already established firm and mutual-benefit business relationships with customers from,Europe,America and south Asia,supplying obsolete and hard-to-find components to meet their specific needs.

With the principle of “Quality Parts,Customers Priority,Honest Operation,and Considerate Service”,our business mainly focus on the distribution of electronic components. Line cards we deal with include Microchip,ALPS,ROHM,Xilinx,Pulse,ON,Everlight and Freescale. Main products comprise IC,Modules,Potentiometer,IC Socket,Relay,Connector.Our parts cover such applications as commercial,industrial, and automotives areas.

We are looking forward to setting up business relationship with you and hope to provide you with the best service and solution. Let us make a better world for our industry!



Contact us

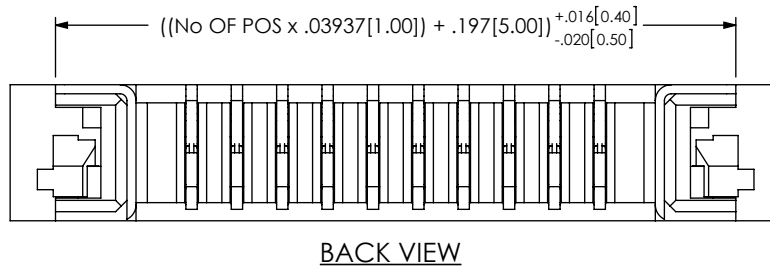
Tel: +86-755-8981 8866 Fax: +86-755-8427 6832

Email & Skype: info@chipsmall.com Web: www.chipsmall.com

Address: A1208, Overseas Decoration Building, #122 Zhenhua RD., Futian, Shenzhen, China



DO NOT SCALE FROM THIS PRINT



ZF1-XX-XX-XX-WT-XX

No OF POSITIONS
-04 THRU -30

OPTIONS
-TR: TAPE AND REEL
(SEE SHEET 4, FIG 3)

LEAD STYLE

-01: CONTACT BOTTOM
-02: CONTACT TOP
* -03: TOP ENTRY (SEE SHEET 3)

WELD TAB

PLATING SPECIFICATION

-T: PURE TIN, MATTE FINISH
-TM: PURE TIN, MATTE FINISH

* -03 LEAD STYLE AVAILABLE TO EXISTING CUSTOMERS ONLY AS OF REVISION P

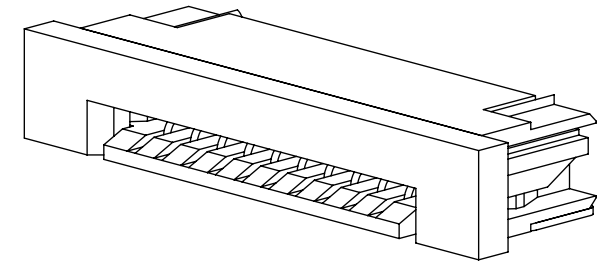
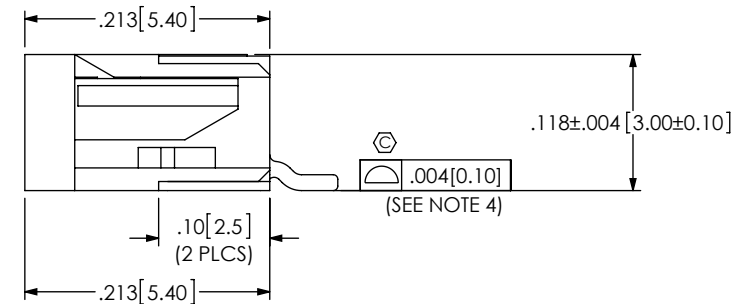
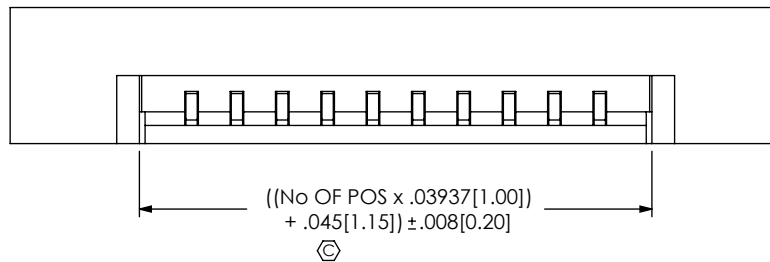
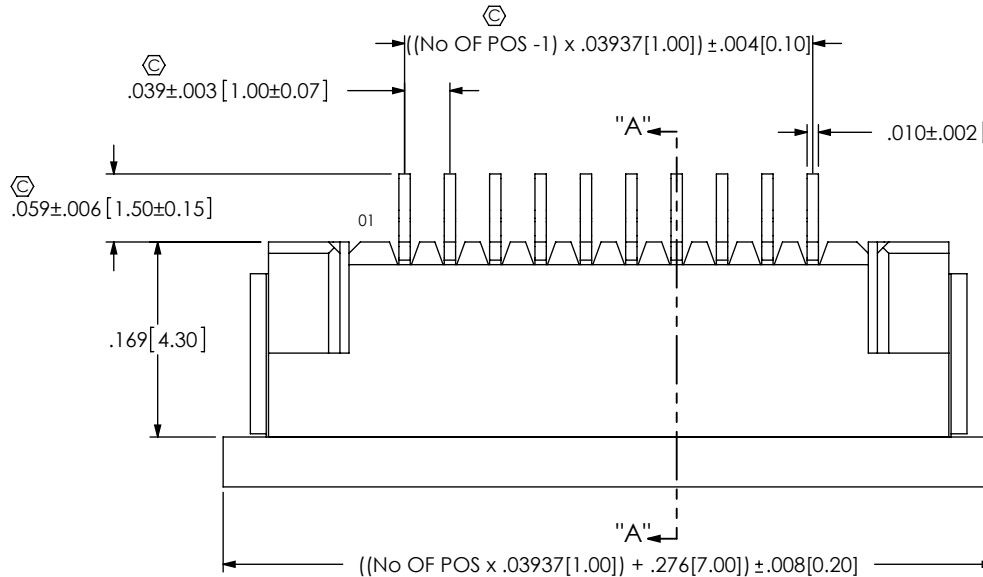


FIG 1
ZF1-10-01-T-WT SHOWN
(WITH CAM CLOSED)



NOTES:

1. ⊕ REPRESENTS A CRITICAL DIMENSION.
2. BURR ALLOWANCE: .0010[.025] MAXIMUM.
3. CONTACT; MINIMUM PUSHOUT FORCE: 6 OZ.
4. COPLANARITY INCLUDES TAILS AND WELD TABS.
5. WELD TAB RETENTION: 12 OZ.
6. BREAKOFF BURR NOT TO EXCEED .007[0.18] & MUST REMAIN ATTACHED.

UNLESS OTHERWISE SPECIFIED, DIMENSIONS ARE IN INCHES. TOLERANCES ARE:
DECIMALS ANGLES
.XX: $\pm .01 [0.4]$ 2°
.XXX: $\pm .010 [0.25]$
.XXXX: $\pm .XXXX [XXX]$

PROPRIETARY NOTE
THIS DOCUMENT CONTAINS CONFIDENTIAL AND PROPRIETARY INFORMATION AND ALL DESIGN, MANUFACTURING, REPRODUCTION, USE, PATENT RIGHTS AND SALES RIGHTS ARE EXPRESSLY RESERVED BY SAMTEC, INC. THIS DOCUMENT SHALL NOT BE DISCLOSED, IN WHOLE OR PART, TO ANY UNAUTHORIZED PERSON OR ENTITY NOR REPRODUCED, TRANSFERRED OR INCORPORATED IN ANY OTHER PROJECT IN ANY MANNER WITHOUT THE EXPRESS WRITTEN CONSENT OF SAMTEC, INC.



520 PARK EAST BLVD, NEW ALBANY, IN 47150
PHONE: 812-944-6733 FAX: 812-948-5047
e-Mail: info@SAMTEC.com code: 55322

MATERIAL: DO NOT SCALE DRAWING
HOUSING: LCP E130i 94-V2, COLOR: NATURAL
CAM SLIDER: PPS D5 94-V2, COLOR: BLACK
CONTACT & WELD TAB:
PHOS BRONZE

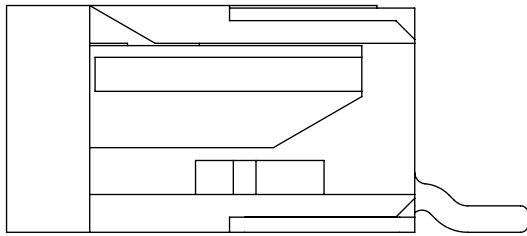
SHEET SCALE: 6:1

DESCRIPTION:
ZERO INSERTION FORCE 1mm ASSEMBLY

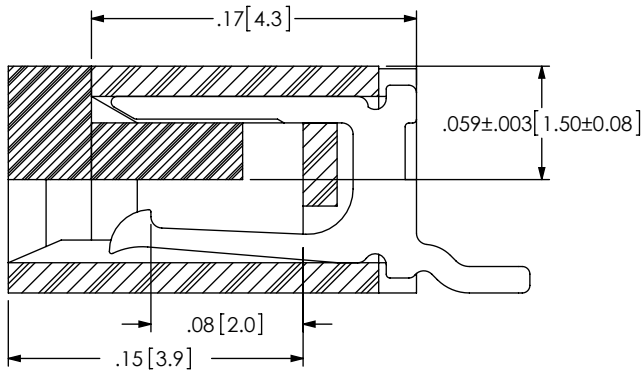
DWG. NO. ZF1-XX-XX-XX-WT-XX

MAX FLASH ALLOWED: .002
MAX GATE VESTIGE: .002
F:\DWG\MISC\MKTG\ZF1-XX-XX-XX-WT-XX-MKT.SLDDRW

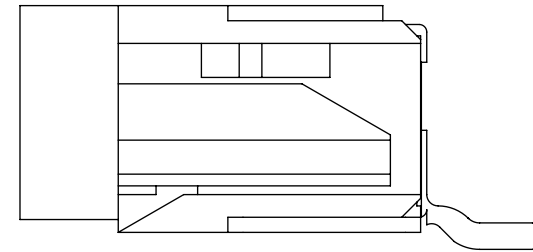
BY: KEVIN B 9/20/2002 SHEET 1 OF 4



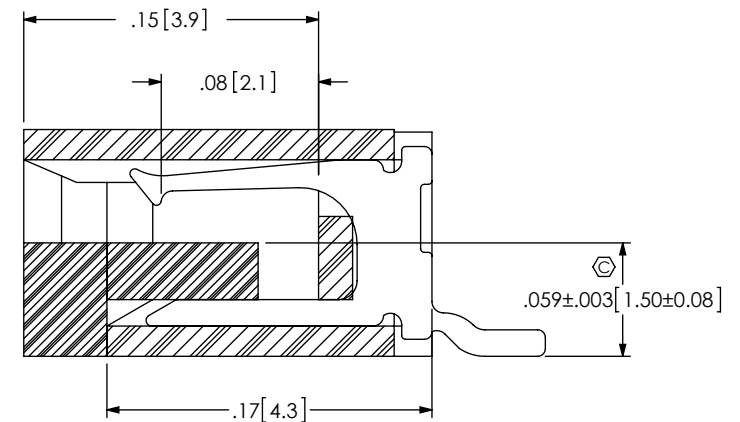
-01 LEAD STYLE [CONTACT BOTTOM]
(WITH CAM OPEN)



SECTION "A"- "A"
-01 LEAD STYLE
(WITH CAM CLOSED)



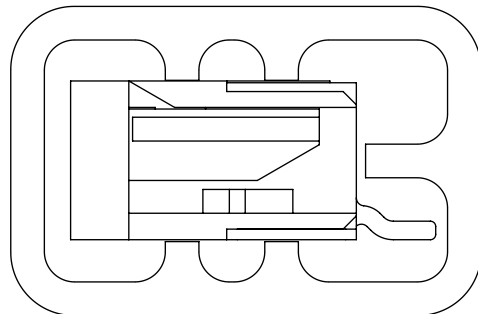
-02 LEAD STYLE [CONTACT TOP]
(WITH CAM OPEN)



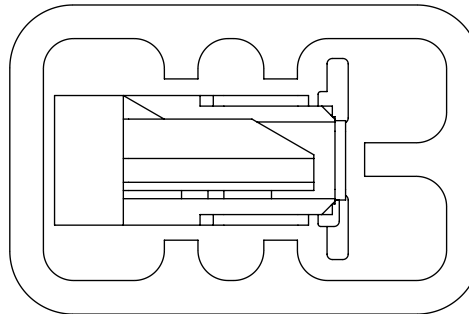
SECTION "A"- "A"
-02 LEAD STYLE
(WITH CAM CLOSED)

PACKAGING VIEWS
(-TR OPTION SHOWN ON SHEET 4)

[PARTS TO HAVE POSITION #1 LOADED IN
SAME DIRECTION AS ARROW ON TUBE]



-01 & -02 LEAD STYLE:
TUBE: PT-1-24-02-117
PLUG: TP-24



-03 LEAD STYLE:
TUBE: PT-1-24-02-117
PLUG: TP-24

F:\DWG\MISC\MKTG\FZ1-XX-XX-XX-WT-XX-MKT.SLDDRW

PROPRIETARY NOTE
THIS DOCUMENT CONTAINS CONFIDENTIAL AND PROPRIETARY INFORMATION AND ALL DESIGN, MANUFACTURING, REPRODUCTION, USE, PATENT RIGHTS AND SALES RIGHTS ARE EXPRESSLY RESERVED BY SAMTEC, INC. THIS DOCUMENT SHALL NOT BE DISCLOSED, IN WHOLE OR PART, TO ANY UNAUTHORIZED PERSON OR ENTITY NOR REPRODUCED, TRANSFERRED OR INCORPORATED IN ANY OTHER PROJECT IN ANY MANNER WITHOUT THE EXPRESS WRITTEN CONSENT OF SAMTEC, INC.

DO NOT SCALE DRAWING

SHEET SCALE: 10:1



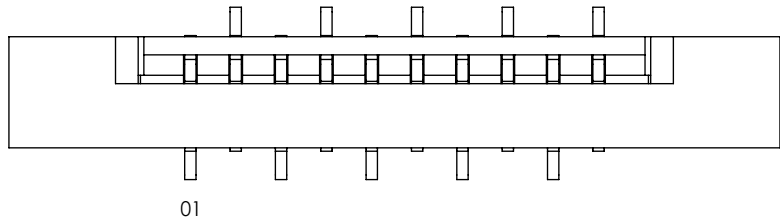
520 PARK EAST BLVD., NEW ALBANY, IN 47150
PHONE: 812-944-6733 FAX: 812-948-5047
e-Mail: info@SAMTEC.com code: 55322

DESCRIPTION:
ZERO INSERTION FORCE 1mm ASSEMBLY

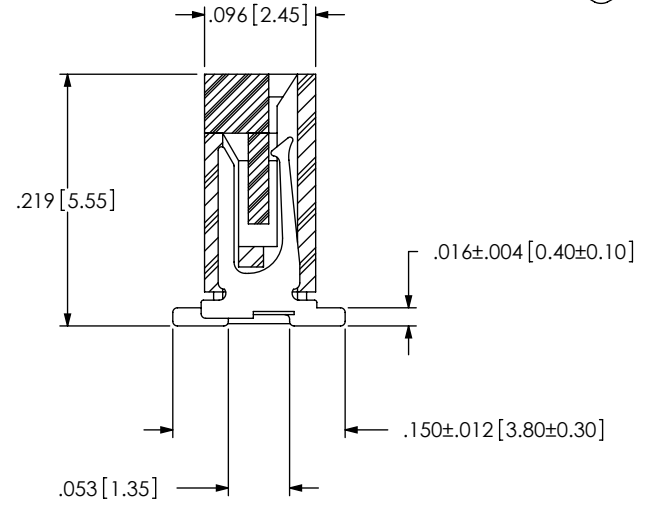
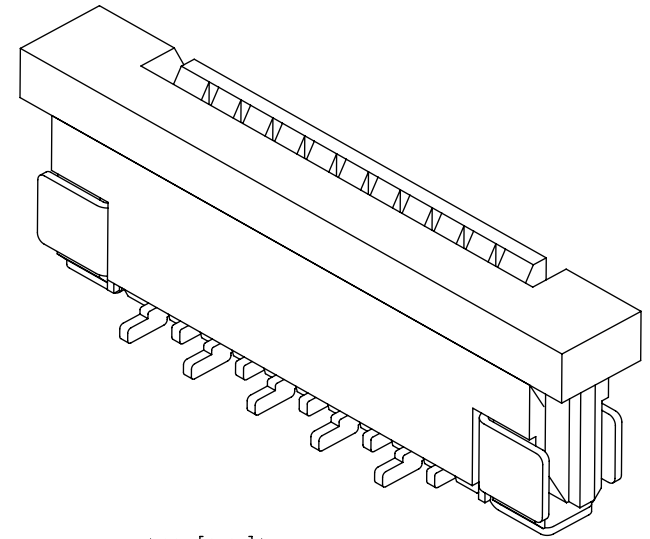
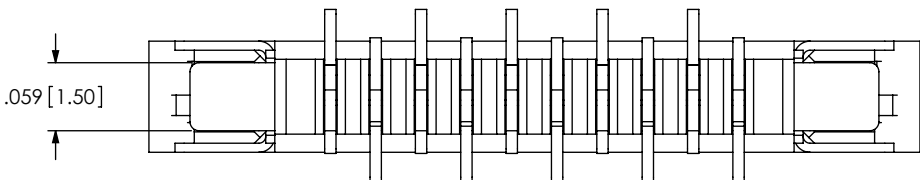
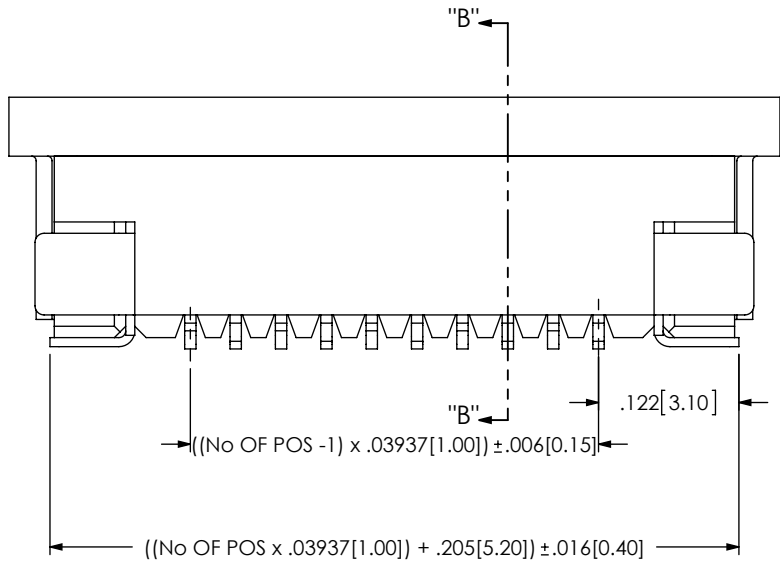
DWG. NO. **ZF1-XX-XX-XX-WT-XX**

BY: KEVIN B 9/20/2002 SHEET 2 OF 4

FIG 2
 * -03 LEAD STYLE
 (SAME AS FIG 1, UNLESS OTHERWISE STATED)
 (ZF1-10-03-T-WT SHOWN)



01



SECTION "B"- "B"

F:\DWG\MISC\MKTG\ZF1-XX-XX-XX-WT-XX-MKT.SLDRW

PROPRIETARY NOTE
 THIS DOCUMENT CONTAINS CONFIDENTIAL AND PROPRIETARY INFORMATION AND ALL DESIGN, MANUFACTURING, REPRODUCTION, USE, PATENT RIGHTS AND SALES RIGHTS ARE EXPRESSLY RESERVED BY SAMTEC, INC. THIS DOCUMENT SHALL NOT BE DISCLOSED, IN WHOLE OR PART, TO ANY UNAUTHORIZED PERSON OR ENTITY NOR REPRODUCED, TRANSFERRED OR INCORPORATED IN ANY OTHER PROJECT IN ANY MANNER WITHOUT THE EXPRESS WRITTEN CONSENT OF SAMTEC, INC.

DO NOT SCALE DRAWING

SHEET SCALE: 6:1



520 PARK EAST BLVD, NEW ALBANY, IN 47150
 PHONE: 812-944-6733 FAX: 812-948-5047
 e-Mail: info@SAMTEC.com code: 55322

DESCRIPTION:
 ZERO INSERTION FORCE 1mm ASSEMBLY

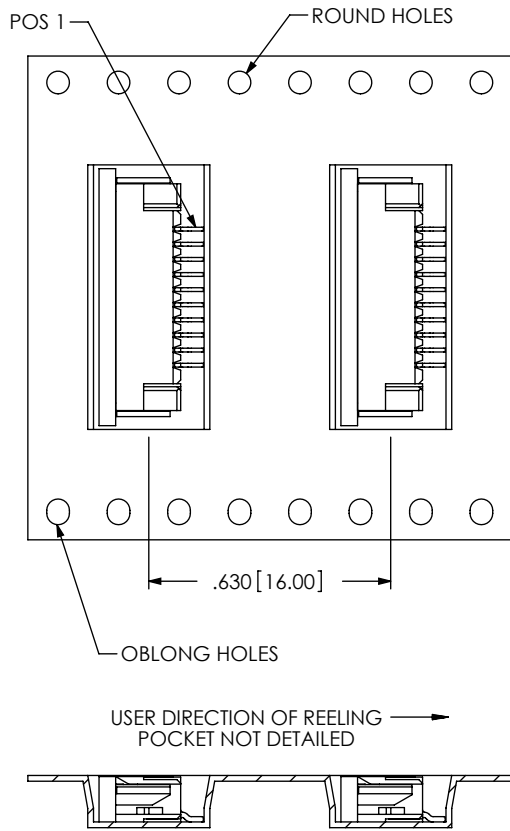
DWG. NO.
ZF1-XX-XX-XX-WT-XX

BY: KEVIN B 9/20/2002 SHEET 3 OF 4

FIG 3
-TR OPTION

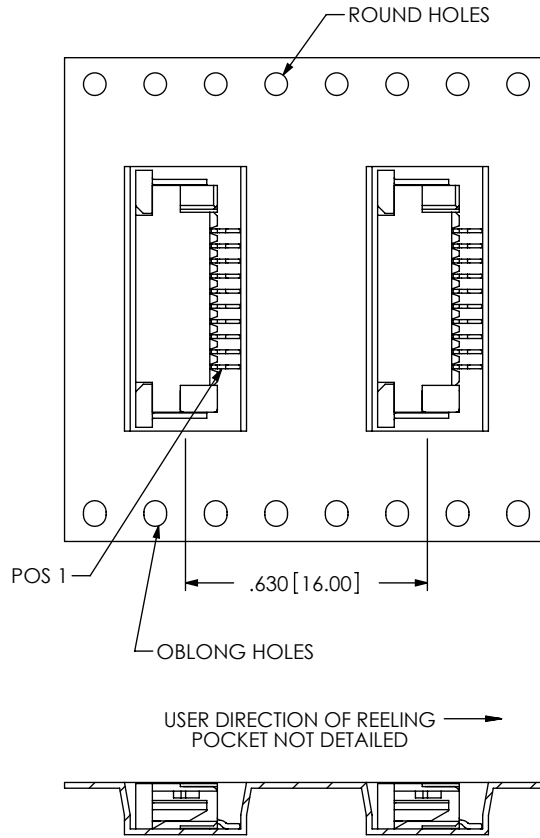
-01 LEAD STYLE

NOTE: POS 1 CLOSEST TO ROUND HOLES



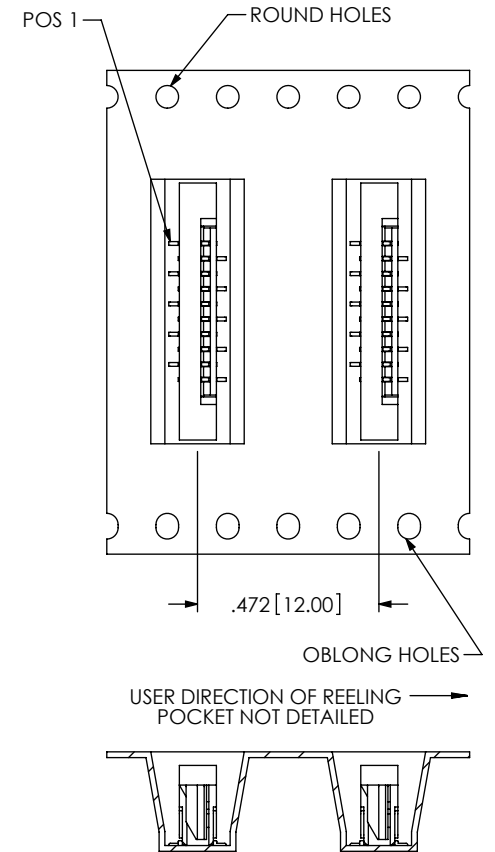
-02 LEAD STYLE

NOTE: POS 1 CLOSEST TO OBLONG HOLES



-03 LEAD STYLE

NOTE: POS 1 CLOSEST TO ROUND HOLES



F:\DWG\MISC\MKTG\ZF1-XX-XX-XX-WT-XX-MKT.SLDDRW

* PROPRIETARY NOTE *
THIS DOCUMENT CONTAINS CONFIDENTIAL AND PROPRIETARY INFORMATION AND ALL DESIGN, MANUFACTURING, REPRODUCTION, USE, PATENT RIGHTS AND SALES RIGHTS ARE EXPRESSLY RESERVED BY SAMTEC, INC. THIS DOCUMENT SHALL NOT BE DISCLOSED, IN WHOLE OR PART, TO ANY UNAUTHORIZED PERSON OR ENTITY NOR REPRODUCED, TRANSFERRED OR INCORPORATED IN ANY OTHER PROJECT IN ANY MANNER WITHOUT THE EXPRESS WRITTEN CONSENT OF SAMTEC, INC.

SHEET SCALE: 2:1



520 PARK EAST BLVD, NEW ALBANY, IN 47150
PHONE: 812-944-6733 FAX: 812-948-5047
e-Mail: info@SAMTEC.com code: 55322

DESCRIPTION:
ZERO INSERTION FORCE 1mm ASSEMBLY

DWG. NO. ZF1-XX-XX-XX-WT-XX

BY: KEVIN B 9/20/2002 SHEET 4 OF 4