



Chipsmall Limited consists of a professional team with an average of over 10 year of expertise in the distribution of electronic components. Based in Hongkong, we have already established firm and mutual-benefit business relationships with customers from,Europe,America and south Asia,supplying obsolete and hard-to-find components to meet their specific needs.

With the principle of “Quality Parts,Customers Priority,Honest Operation,and Considerate Service”,our business mainly focus on the distribution of electronic components. Line cards we deal with include Microchip,ALPS,ROHM,Xilinx,Pulse,ON,Everlight and Freescale. Main products comprise IC,Modules,Potentiometer,IC Socket,Relay,Connector.Our parts cover such applications as commercial,industrial, and automotives areas.

We are looking forward to setting up business relationship with you and hope to provide you with the best service and solution. Let us make a better world for our industry!



## Contact us

Tel: +86-755-8981 8866 Fax: +86-755-8427 6832

Email & Skype: info@chipsmall.com Web: www.chipsmall.com

Address: A1208, Overseas Decoration Building, #122 Zhenhua RD., Futian, Shenzhen, China



DO NOT SCALE FROM THIS PRINT

DESIGNED & DIMENSIONED IN MILLIMETERS [INCHES]

ZF5S-XX-XX-X-WT-X-XX

No OF POSITIONS  
-04 THRU -50  
(USE ZF5-XX AND ZF5C-XX)

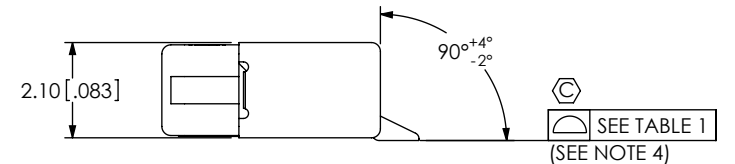
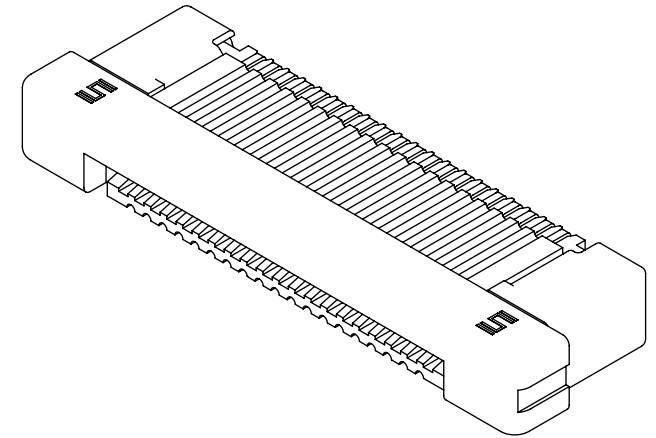
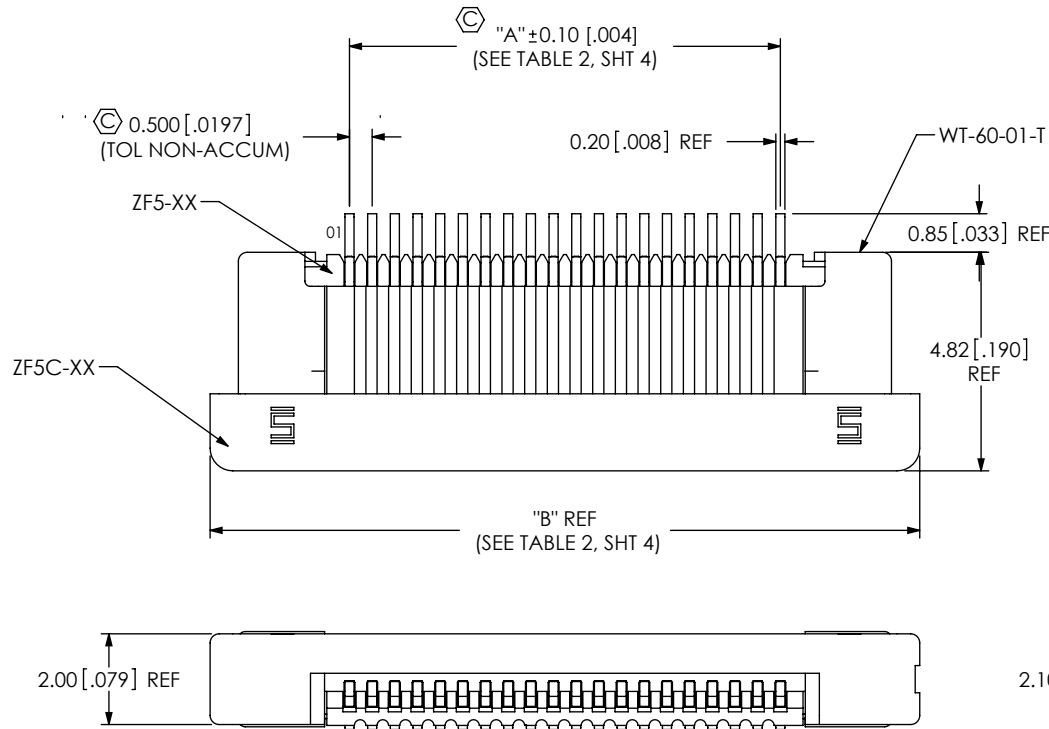
LEAD STYLE  
-01: USE C-297-01-T  
-02: USE C-297-03-T  
-03: USE C-297-02-T & C-297-04-T

OPTION  
-TR: TAPE AND REEL

OPTION  
-K: KAPTON PAD  
(N/A IN -03 LEAD STYLE)  
(USE K-DOT-.118-.219-.005)  
(SEE SHEET 4, FIG 3)

WELD TAB  
USE WT-60-01-T

PLATING SPECIFICATION  
-T: PURE TIN, MATTE FINISH



No of POS.	COPLANARITY
-04 THRU -30	0.10 [.004]
-31 THRU -50	0.15 [.006]

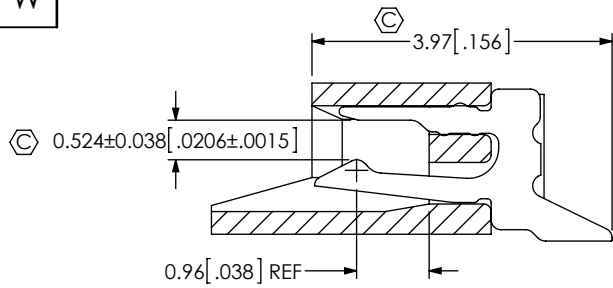
FIG 1  
ZF5S-20-01-T-WT SHOWN  
(WITH CAM CLOSED)

NOTES:

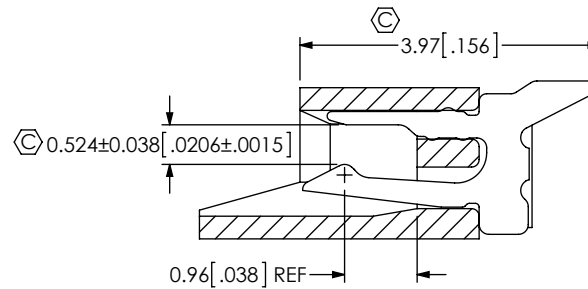
1.  $\text{Ⓢ}$  REPRESENTS A CRITICAL DIMENSION.
2. MAXIMUM BURR ALLOWANCE: 0.025 [.0010]
3. MINIMUM PUSHOUT FORCE: 6 OZ
4. CO-PLANARITY INCLUDES TAILS AND WELD TABS.
5. WELD TAB RETENTION: 6 OZ
6. BREAKOFF BURR NOT TO EXCEED 0.18 [.007] AND MUST REMAIN ATTACHED.
7. PIN 1 TO HAVE ORIENTATION AS SHOWN.

UNLESS OTHERWISE SPECIFIED, DIMENSIONS ARE IN MILLIMETERS. TOLERANCES ARE: DECIMALS                      ANGLES X.X: ±0.3 [.01]                      2° X.XX: ±0.13 [.005] X.XXX: ±0.051 [.0020]	* PROPRIETARY NOTE * THIS DOCUMENT CONTAINS CONFIDENTIAL AND PROPRIETARY INFORMATION AND ALL DESIGN, MANUFACTURING, REPRODUCTION, USE, PATENT RIGHTS AND SALES RIGHTS ARE EXPRESSLY RESERVED BY SAMTEC, INC. THIS DOCUMENT SHALL NOT BE DISCLOSED, IN WHOLE OR PART, TO ANY UNAUTHORIZED PERSON OR ENTITY NOR REPRODUCED, TRANSFERRED OR INCORPORATED IN ANY OTHER PROJECT IN ANY MANNER WITHOUT THE EXPRESS WRITTEN CONSENT OF SAMTEC, INC.	520 PARK EAST BLVD. NEW ALBANY, IN 47150 PHONE: 812-944-6733    FAX: 812-948-5047 e-Mail: info@SAMTEC.com    code 55322
HOUSING: LCP, COLOR: NATURAL CAM: LCP, COLOR: BLACK CONTACT: PHOS BRONZE WELD TAB: BRASS		DESCRIPTION: ZERO INSERTION FORCE .5mm ASSEMBLY
DWG. NO. ZF5S-XX-XX-X-WT-X-XX		BY: G PURVIS                      01/20/2011                      SHEET 1 OF 5

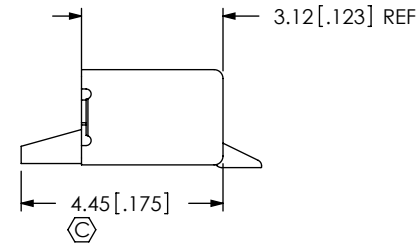
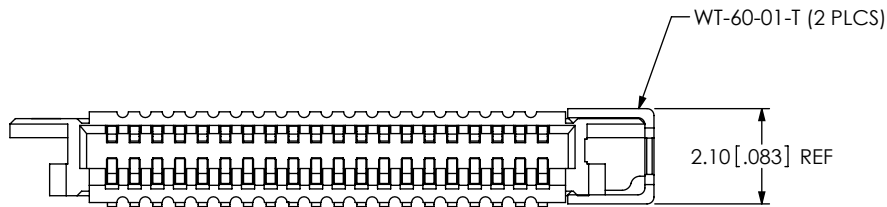
REVISION W



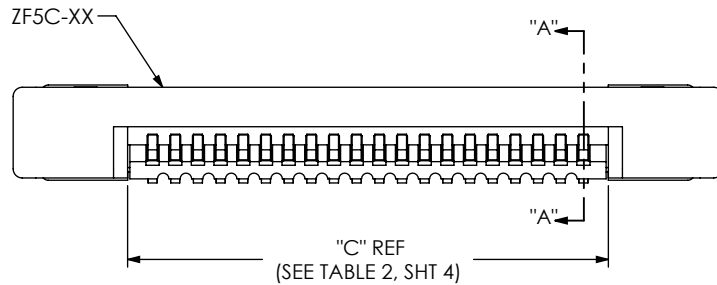
-01 LEAD STYLE  
IN PROCESS 1  
FILL C-297-01-T



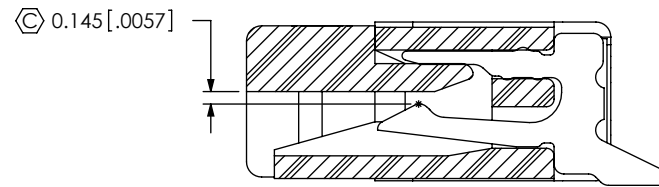
-02 LEAD STYLE  
IN PROCESS 1  
FILL C-297-03-T



IN PROCESS 2  
FILL WT-60-01-T  
(SOME FEATURES REMOVED FOR CLARITY)



IN PROCESS 3  
INSERT ZF5C-XX-XX  
(CAM SHOWN IN CLOSED POSITION)



SECTION "A"- "A"

**PROPRIETARY NOTE**  
THIS DOCUMENT CONTAINS CONFIDENTIAL AND PROPRIETARY INFORMATION AND ALL DESIGN, MANUFACTURING, REPRODUCTION, USE, PATENT RIGHTS AND SALES RIGHTS ARE EXPRESSLY RESERVED BY SAMTEC, INC. THIS DOCUMENT SHALL NOT BE DISCLOSED, IN WHOLE OR PART, TO ANY UNAUTHORIZED PERSON OR ENTITY NOR REPRODUCED, TRANSFERRED OR INCORPORATED IN ANY OTHER PROJECT IN ANY MANNER WITHOUT THE EXPRESS WRITTEN CONSENT OF SAMTEC, INC.

DO NOT SCALE DRAWING

SHEET SCALE: 10:1

**samtec**

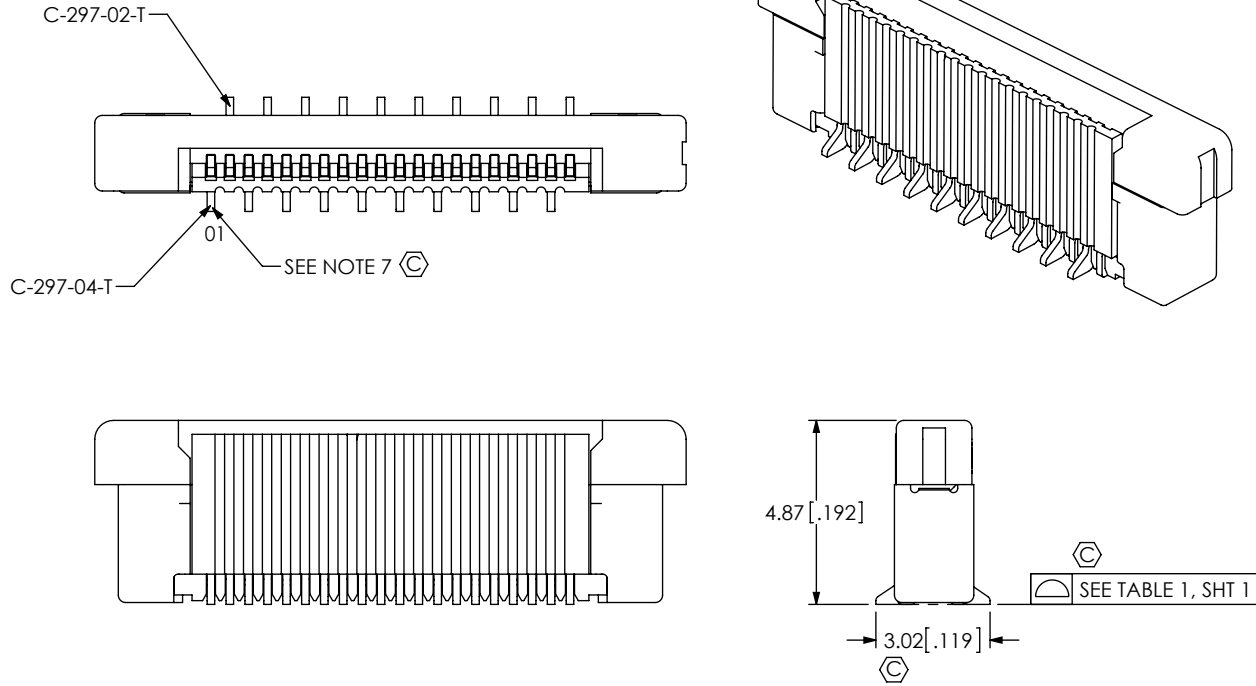
520 PARK EAST BLVD, NEW ALBANY, IN 47150  
PHONE: 812-944-6733 FAX: 812-948-5047  
e-Mail info@SAMTEC.com code 55322

DESCRIPTION:  
ZERO INSERTION FORCE .5mm ASSEMBLY

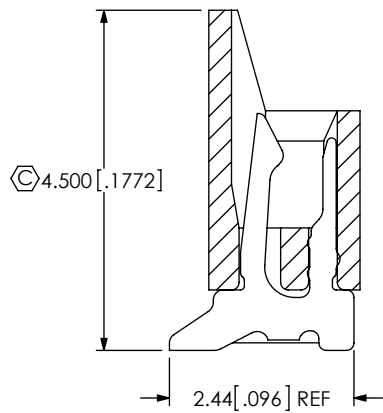
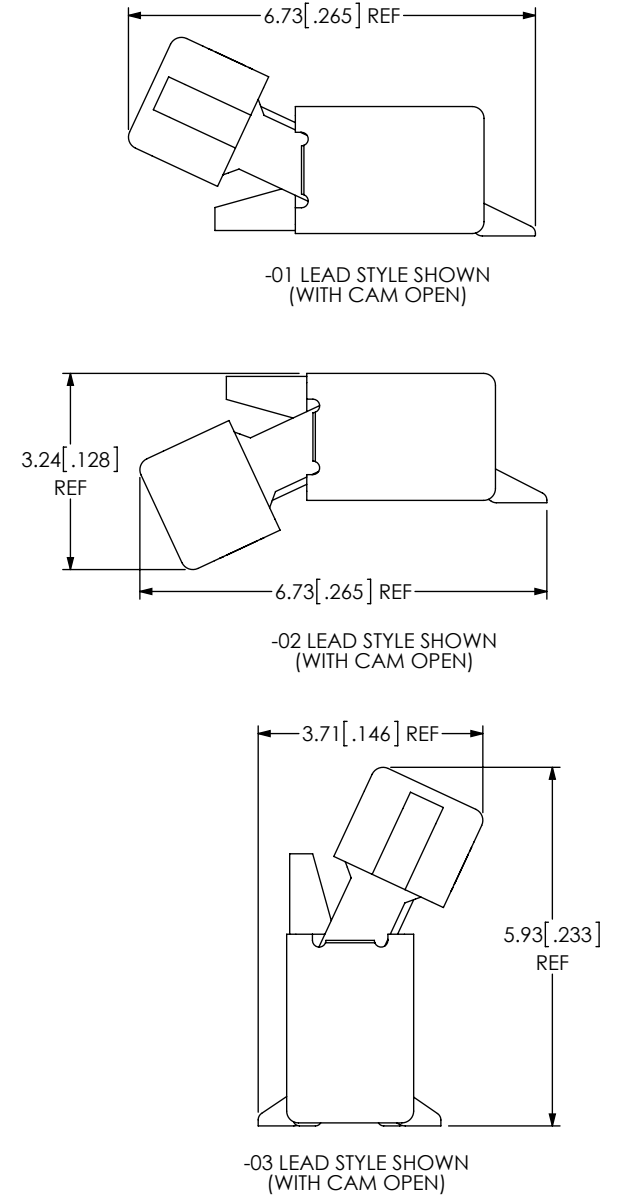
DWG. NO.  
ZF5S-XX-XX-X-WT-X-XX

BY: G PURVIS 01/20/2011 SHEET 2 OF 5

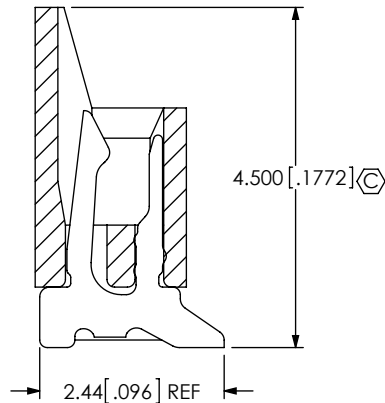
**FIG 2**  
 -03 LEAD STYLE  
 (DIFFERENT AS SHOWN, OTHERWISE SAME AS FIG 1)  
 (ZF5S-20-03-T-WT SHOWN)



**APPLICATION VIEWS**



-03 LEAD STYLE  
 IN PROCESS 1A  
 FILL C-297-04-T  
 (SAME AS IN PROCESS 1 FOR -01 LEAD  
 STYLE EXCEPT AS SHOWN)  
 (ODD POSITIONS FILLED ONLY)



-03 LEAD STYLE  
 IN PROCESS 1B  
 FILL C-297-02-T  
 (SAME AS IN PROCESS 1 FOR -01 LEAD  
 STYLE EXCEPT AS SHOWN)  
 (EVEN POSITIONS FILLED ONLY)

**PROPRIETARY NOTE**  
 THIS DOCUMENT CONTAINS CONFIDENTIAL AND  
 PROPRIETARY INFORMATION AND ALL DESIGN,  
 MANUFACTURING, REPRODUCTION, USE, PATENT RIGHTS  
 AND SALES RIGHTS ARE EXPRESSLY RESERVED BY SAMTEC,  
 INC. THIS DOCUMENT SHALL NOT BE DISCLOSED, IN WHOLE  
 OR PART, TO ANY UNAUTHORIZED PERSON OR ENTITY NOR  
 REPRODUCED, TRANSFERRED OR INCORPORATED IN ANY  
 OTHER PROJECT IN ANY MANNER WITHOUT THE EXPRESS  
 WRITTEN CONSENT OF SAMTEC, INC.

DO NOT SCALE DRAWING

SHEET SCALE: 5:1

**samtec**

520 PARK EAST BLVD, NEW ALBANY, IN 47150  
 PHONE: 812-944-6733 FAX: 812-948-5047  
 e-Mail: info@SAMTEC.com code 55322

DESCRIPTION:  
 ZERO INSERTION FORCE .5mm ASSEMBLY

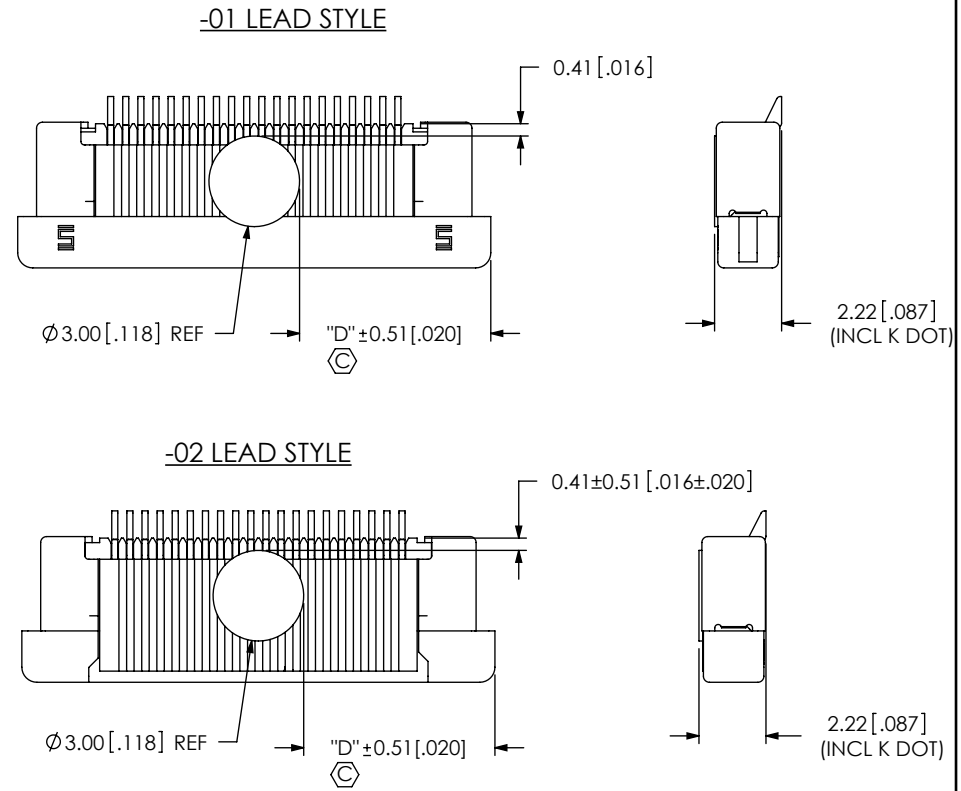
DWG. NO.  
**ZF5S-XX-XX-X-WT-X-XX**

BY: G PURVIS 01/20/2011 SHEET 3 OF 5

TABLE 2

No OF POS	"A"	"B"	"C"	"D"
-04	1.50 [0.059]	7.65 [0.301]	2.60 [0.102]	2.32 [0.091]
-05	2.00 [0.079]	8.15 [0.321]	3.10 [0.122]	2.57 [0.101]
-06	2.50 [0.098]	8.65 [0.341]	3.60 [0.142]	2.82 [0.111]
-07	3.00 [0.118]	9.15 [0.360]	4.10 [0.161]	3.07 [0.121]
-08	3.50 [0.138]	9.65 [0.380]	4.60 [0.181]	3.32 [0.131]
-09	4.00 [0.157]	10.15 [0.400]	5.10 [0.201]	3.57 [0.141]
-10	4.50 [0.177]	10.65 [0.419]	5.60 [0.220]	3.82 [0.150]
-11	5.00 [0.197]	11.15 [0.439]	6.10 [0.240]	4.07 [0.160]
-12	5.50 [0.217]	11.65 [0.459]	6.60 [0.260]	4.32 [0.170]
-13	6.00 [0.236]	12.15 [0.478]	7.10 [0.280]	4.57 [0.180]
-14	6.50 [0.256]	12.65 [0.498]	7.60 [0.299]	4.82 [0.190]
-15	7.00 [0.276]	13.15 [0.518]	8.10 [0.319]	5.07 [0.200]
-16	7.50 [0.295]	13.65 [0.537]	8.60 [0.339]	5.32 [0.209]
-17	8.00 [0.315]	14.15 [0.557]	9.10 [0.358]	5.57 [0.219]
-18	8.50 [0.335]	14.65 [0.577]	9.60 [0.378]	5.82 [0.229]
-19	9.00 [0.354]	15.15 [0.596]	10.10 [0.398]	6.07 [0.239]
-20	9.50 [0.374]	15.65 [0.616]	10.60 [0.417]	6.32 [0.249]
-21	10.00 [0.394]	16.15 [0.636]	11.10 [0.437]	6.57 [0.259]
-22	10.50 [0.413]	16.65 [0.656]	11.60 [0.457]	6.82 [0.269]
-23	11.00 [0.433]	17.15 [0.675]	12.10 [0.476]	7.07 [0.278]
-24	11.50 [0.453]	17.65 [0.695]	12.60 [0.496]	7.32 [0.288]
-25	12.00 [0.472]	18.15 [0.715]	13.10 [0.516]	7.57 [0.298]
-26	12.50 [0.492]	18.65 [0.734]	13.60 [0.535]	7.82 [0.308]
-27	13.00 [0.512]	19.15 [0.754]	14.10 [0.555]	8.07 [0.318]
-28	13.50 [0.531]	19.65 [0.774]	14.60 [0.575]	8.32 [0.328]
-29	14.00 [0.551]	20.15 [0.793]	15.10 [0.594]	8.57 [0.337]
-30	14.50 [0.571]	20.65 [0.813]	15.60 [0.614]	8.82 [0.347]
-31	15.00 [0.591]	21.15 [0.833]	16.10 [0.634]	9.07 [0.357]
-32	15.50 [0.610]	21.65 [0.852]	16.60 [0.654]	9.32 [0.367]
-33	16.00 [0.630]	22.15 [0.872]	17.10 [0.673]	9.57 [0.377]
-34	16.50 [0.650]	22.65 [0.892]	17.60 [0.693]	9.82 [0.387]
-35	17.00 [0.669]	23.15 [0.911]	18.10 [0.713]	10.07 [0.396]
-36	17.50 [0.689]	23.65 [0.931]	18.60 [0.732]	10.32 [0.406]
-37	18.00 [0.709]	24.15 [0.951]	19.10 [0.752]	10.57 [0.416]
-38	18.50 [0.728]	24.65 [0.970]	19.60 [0.772]	10.82 [0.426]
-39	19.00 [0.748]	25.15 [0.990]	20.10 [0.791]	11.07 [0.436]
-40	19.50 [0.768]	25.65 [1.010]	20.60 [0.811]	11.32 [0.446]
-41	20.00 [0.787]	26.15 [1.030]	21.10 [0.831]	11.57 [0.456]
-42	20.50 [0.807]	26.65 [1.049]	21.60 [0.850]	11.82 [0.465]
-43	21.00 [0.827]	27.15 [1.069]	22.10 [0.870]	12.07 [0.475]
-44	21.50 [0.846]	27.65 [1.089]	22.60 [0.890]	12.32 [0.485]
-45	22.00 [0.866]	28.15 [1.108]	23.10 [0.909]	12.57 [0.495]
-46	22.50 [0.886]	28.65 [1.128]	23.60 [0.929]	12.82 [0.505]
-47	23.00 [0.906]	29.15 [1.148]	24.10 [0.949]	13.07 [0.515]
-48	23.50 [0.925]	29.65 [1.167]	24.60 [0.969]	13.32 [0.524]
-49	24.00 [0.945]	30.15 [1.187]	25.10 [0.988]	13.57 [0.534]
-50	24.50 [0.965]	30.65 [1.207]	25.60 [1.008]	13.82 [0.544]

FIG 3  
KAPTON PAD  
(USE K-DOT-118-219-005)  
(DIFFERENT AS SHOWN, OTHERWISE SAME AS FIG 1)



**PROPRIETARY NOTE**  
 THIS DOCUMENT CONTAINS CONFIDENTIAL AND PROPRIETARY INFORMATION AND ALL DESIGN, MANUFACTURING, REPRODUCTION, USE, PATENT RIGHTS AND SALES RIGHTS ARE EXPRESSLY RESERVED BY SAMTEC, INC. THIS DOCUMENT SHALL NOT BE DISCLOSED, IN WHOLE OR PART, TO ANY UNAUTHORIZED PERSON OR ENTITY NOR REPRODUCED, TRANSFERRED OR INCORPORATED IN ANY OTHER PROJECT IN ANY MANNER WITHOUT THE EXPRESS WRITTEN CONSENT OF SAMTEC, INC.



520 PARK EAST BLVD., NEW ALBANY, IN 47150  
 PHONE: 812-944-6733 FAX: 812-948-5047  
 e-Mail: info@SAMTEC.com code 55322

SHEET SCALE: 4:1

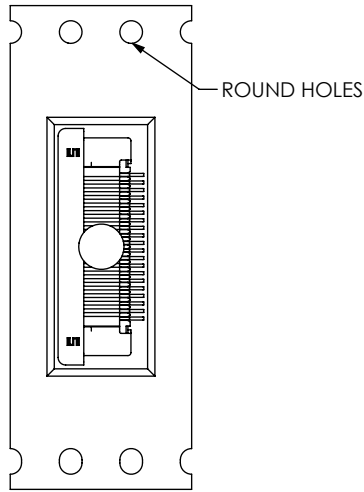
DESCRIPTION:  
 ZERO INSERTION FORCE .5mm ASSEMBLY

DWG. NO.  
 ZF5S-XX-XX-X-WT-X-XX

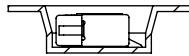
BY: G PURVIS 01/20/2011 SHEET 4 OF 5

PACKAGING VIEWS

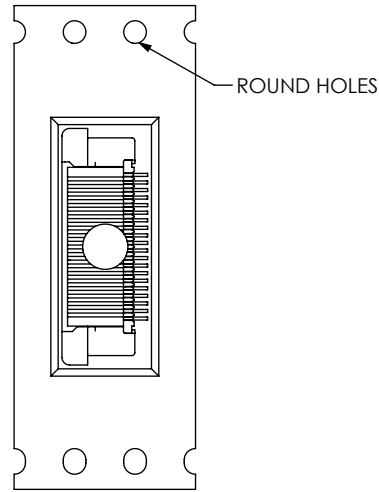
-01 LEAD STYLE  
SHOWN WITH -K OPTION



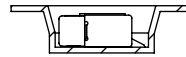
USER DIRECTION OF UN-REELING  
POCKET NOT DETAILED →



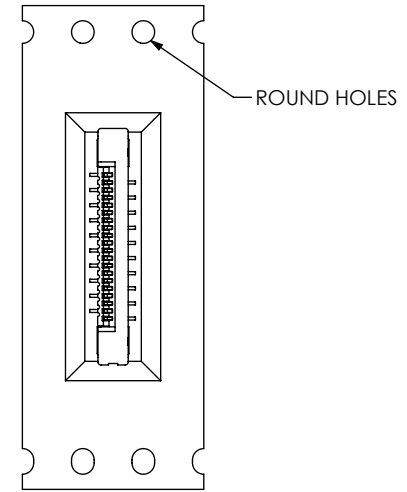
-02 LEAD STYLE  
SHOWN WITH -K OPTION



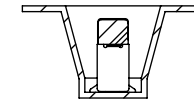
USER DIRECTION OF UN-REELING  
POCKET NOT DETAILED →



-03 LEAD STYLE

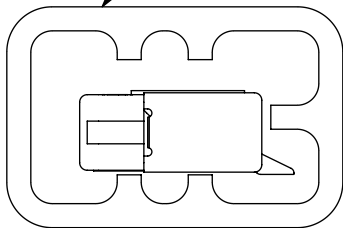


USER DIRECTION OF UN-REELING  
POCKET NOT DETAILED →



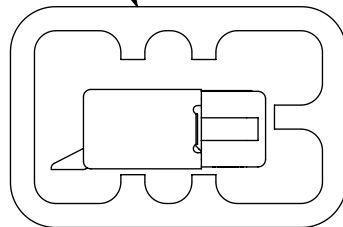
PACKAGING VIEWS  
[PARTS TO HAVE POSITION #1 LOADED IN  
SAME DIRECTION AS ARROW ON TUBE]

PT-1-24-02-117



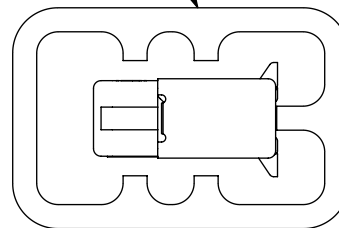
-01 LEAD STYLE  
(USE TP-24-02 PLUG)

PT-1-24-02-117



-02 LEAD STYLE  
(USE TP-24-02 PLUG)

PT-1-24-02-117



-03 LEAD STYLE  
(USE TP-24-02 PLUG)

F:\DWG\MISC\MKTG\ZF5S-XX-XX-X-WT-X-XX-MKT.SLDDRW

**PROPRIETARY NOTE**  
THIS DOCUMENT CONTAINS CONFIDENTIAL AND PROPRIETARY INFORMATION AND ALL DESIGN, MANUFACTURING, REPRODUCTION, USE, PATENT RIGHTS AND SALES RIGHTS ARE EXPRESSLY RESERVED BY SAMTEC, INC. THIS DOCUMENT SHALL NOT BE DISCLOSED, IN WHOLE OR PART, TO ANY UNAUTHORIZED PERSON OR ENTITY NOR REPRODUCED, TRANSFERRED OR INCORPORATED IN ANY OTHER PROJECT IN ANY MANNER WITHOUT THE EXPRESS WRITTEN CONSENT OF SAMTEC, INC.

DO NOT SCALE DRAWING

SHEET SCALE: 10:1



520 PARK EAST BLVD, NEW ALBANY, IN 47150  
PHONE: 812-944-6733 FAX: 812-948-5047  
e-Mail info@SAMTEC.com code 55322

DESCRIPTION:  
ZERO INSERTION FORCE .5mm ASSEMBLY

DWG. NO.  
**ZF5S-XX-XX-X-WT-X-XX**

BY: G PURVIS 01/20/2011 SHEET 5 OF 5