



Chipsmall Limited consists of a professional team with an average of over 10 year of expertise in the distribution of electronic components. Based in Hongkong, we have already established firm and mutual-benefit business relationships with customers from,Europe,America and south Asia,supplying obsolete and hard-to-find components to meet their specific needs.

With the principle of "Quality Parts,Customers Priority,Honest Operation,and Considerate Service",our business mainly focus on the distribution of electronic components. Line cards we deal with include Microchip,ALPS,ROHM,Xilinx,Pulse,ON,Everlight and Freescale. Main products comprise IC,Modules,Potentiometer,IC Socket,Relay,Connector.Our parts cover such applications as commercial,industrial, and automotives areas.

We are looking forward to setting up business relationship with you and hope to provide you with the best service and solution. Let us make a better world for our industry!



## Contact us

Tel: +86-755-8981 8866 Fax: +86-755-8427 6832

Email & Skype: info@chipsmall.com Web: www.chipsmall.com

Address: A1208, Overseas Decoration Building, #122 Zhenhua RD., Futian, Shenzhen, China



# LED PLASTIC WATER RESISTANT RAIL WITH COVER

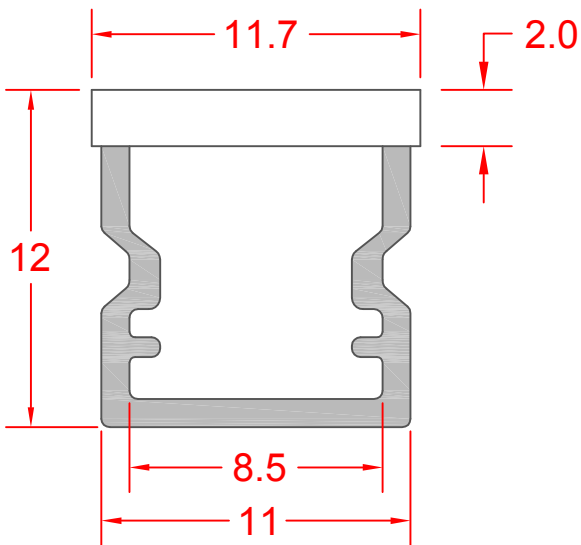
## FEATURES

IP68 Water Resistant.

Only available with Diffused Frost Lens.

Available up to 2 meters in length.

Each Rail includes 2 End Caps.



## NOTES:

1. Rail Material Light Dense PMMA.
2. Lens Material Milk White PMMA.
3. Operating Temperature -26°C to +60°C.
4. Can be used with JKL parts, ZRS-8480 MULTI, ZFS-85000HD-MULTI, ZFS-84000 MULTI.

## OPTIONAL ACCESSORIES (Order Separate)



**Metal Mounting Clip**  
JKL Part No.  
ZRC-11WR-MC

## CHANNEL LENGTH PART NO. ORDERING GUIDE

|                              |                                      |
|------------------------------|--------------------------------------|
| ZFC-11WR<br>SERIES           | ****<br>LENGTH                       |
|                              | Specify Length in mm<br>up to 2000mm |
| Channel Rail Series ZFC-11WR |                                      |

JKL Part Number Example: ZFC-11WR-1000  
Channel Series with 1 Meter (1000mm) Length.

Consult with JKL for availability of Lengths on hand for immediate needs.

|   |  |  |  |  |  |   |  |                         |                  |                          |                          |                                   |                                      |  |
|---|--|--|--|--|--|---|--|-------------------------|------------------|--------------------------|--------------------------|-----------------------------------|--------------------------------------|--|
| <b>METRIC</b><br><br>THIRD ANGLE PROJECTION           |  |  | DIMENSIONS ARE IN mm (INCHES)<br>TOLERANCE UNLESS OTHERWISE SPECIFIED<br>1 PL +/- REF.<br>2 PL +/- REF.<br>ANGLE +/- |  |  | <b>JKL COMPONENTS CORPORATION</b>   |  |                         |                  |                          |                          |                                   |                                      |  |
| <b>C</b> BACK TO RELEASED SPECS<br>3/30/16            |  |  | <b>B</b> FEATURES DELETE & ADD NEW<br>2/1/16   |  |  | <b>TITLE</b><br>LED WATER RESISTANT PLASTIC CHANNEL RAILS WITH 2 END CAPS |  |                         |                  |                          |                          |                                   |                                      |  |
| <b>A</b> CHANGE NOTES & ADD OPTIONAL ACCESS<br>8/5/15 |  |  | DRAWN BY<br>L. WENGSTROM   |  |  | APPV'D BY DATE<br>L.R. 3/30/16  |  |                         | SIZE<br><b>A</b> |                          | FSCM NO.<br><b>55335</b> |                                   | DRAWING NO.<br><b>ZFC-11WR MULTI</b> |  |
| RELEASED & CANCEL PL-1407-05<br>9/3/14                |  |  | APPV'D DATE<br>- CAD DRAWING -<br>MANUAL REVISIONS NOT PERMITTED   |  |  | SCALE<br>NONE   |  | RELEASED DATE<br>9/3/14 |                  | REVISION DATE<br>3/30/16 |                          | REV. NO. <b>C</b><br>SHEET 1 OF 1 |                                      |  |