



Chipsmall Limited consists of a professional team with an average of over 10 year of expertise in the distribution of electronic components. Based in Hongkong, we have already established firm and mutual-benefit business relationships with customers from,Europe,America and south Asia,supplying obsolete and hard-to-find components to meet their specific needs.

With the principle of “Quality Parts,Customers Priority,Honest Operation,and Considerate Service”,our business mainly focus on the distribution of electronic components. Line cards we deal with include Microchip,ALPS,ROHM,Xilinx,Pulse,ON,Everlight and Freescale. Main products comprise IC,Modules,Potentiometer,IC Socket,Relay,Connector.Our parts cover such applications as commercial,industrial, and automotives areas.

We are looking forward to setting up business relationship with you and hope to provide you with the best service and solution. Let us make a better world for our industry!



Contact us

Tel: +86-755-8981 8866 Fax: +86-755-8427 6832

Email & Skype: info@chipsmall.com Web: www.chipsmall.com

Address: A1208, Overseas Decoration Building, #122 Zhenhua RD., Futian, Shenzhen, China



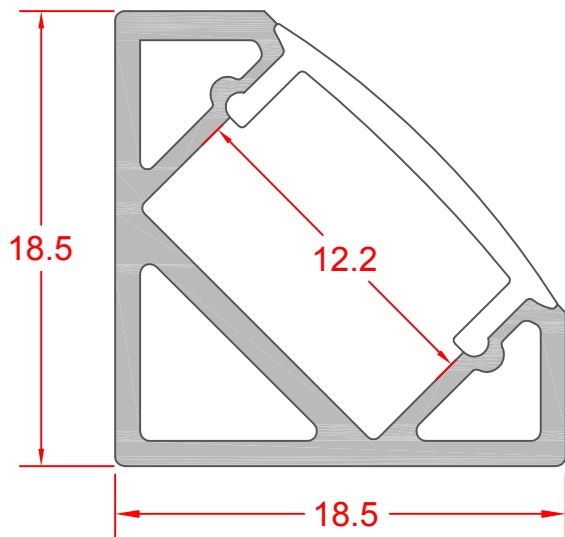
LED ALUMINUM CORNER CHANNEL RAIL WITH COVER

FEATURES

Will work with all 8,10,12mm wide LED Flex Ribbons.

Cover acts as a Light Diffuser eliminating hot spots on reflective surfaces.

Each Rail includes 2 End Caps.



NOTES:

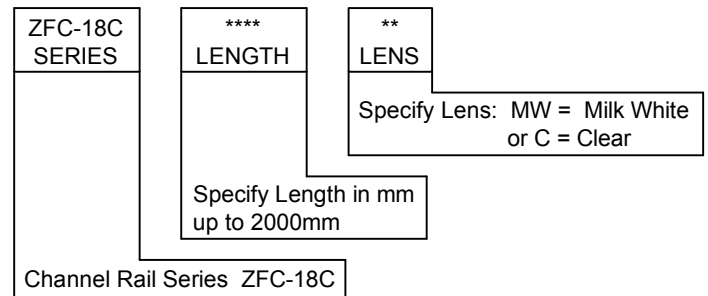
1. Rail Material 6063 Al Clear Anodized with a Matt Finish.
2. Cover Material is PMMA.
3. Operating Temperature -26 C to +60 C.

ACCESSORIES (Order Separate):



MOUNTING CLIP
JKL Part No.: ZRC-18C

CHANNEL LENGTH AND LENS ORDERING GUIDE



JKL Part Number Example: ZFC-18C1000-MW
Channel Series with 1 Meter (1000mm) Length and Milk White Lens.

Consult with JKL for availability of Lengths and Lens on hand for immediate needs.

		METRIC THIRD ANGLE PROJECTION		DIMENSIONS ARE IN mm (INCHES) TOLERANCE UNLESS OTHERWISE SPECIFIED 1 PL +/- REF. 2 PL +/- REF. ANGLE +/-		JKL COMPONENTS CORPORATION					
		DRAWN BY		APPV'D BY		DATE	SIZE	FSCM NO.	DRAWING NO.		
		L. WENGSTROM		L.R.		7/30/14	A	55335	ZFC-18C MULTI		
RELEASED						7/30/14					
REV. NO.	DESCRIPTION/ECO NUMBER	APPV'D DATE	- CAD DRAWING - MANUAL REVISIONS NOT PERMITTED			SCALE	RELEASED DATE	REVISION DATE	REV. NO.	SHEET	
						NONE	7/30/14			1 OF 1	