



Chipsmall Limited consists of a professional team with an average of over 10 year of expertise in the distribution of electronic components. Based in Hongkong, we have already established firm and mutual-benefit business relationships with customers from,Europe,America and south Asia,supplying obsolete and hard-to-find components to meet their specific needs.

With the principle of "Quality Parts,Customers Priority,Honest Operation,and Considerate Service",our business mainly focus on the distribution of electronic components. Line cards we deal with include Microchip,ALPS,ROHM,Xilinx,Pulse,ON,Everlight and Freescale. Main products comprise IC,Modules,Potentiometer,IC Socket,Relay,Connector.Our parts cover such applications as commercial,industrial, and automotives areas.

We are looking forward to setting up business relationship with you and hope to provide you with the best service and solution. Let us make a better world for our industry!



## Contact us

Tel: +86-755-8981 8866 Fax: +86-755-8427 6832

Email & Skype: info@chipsmall.com Web: www.chipsmall.com

Address: A1208, Overseas Decoration Building, #122 Zhenhua RD., Futian, Shenzhen, China



# ALUMINUM LED CHANNEL

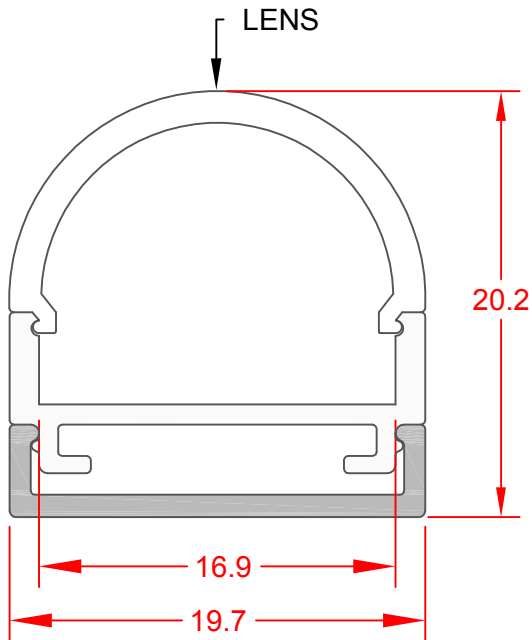
## FEATURES

Compatible with all 8,10, and 12mm wide LED Flex Ribbons.

Each Channel includes 2 End Caps.

3 Lens Options: Milk White, Semi Clear or Clear.

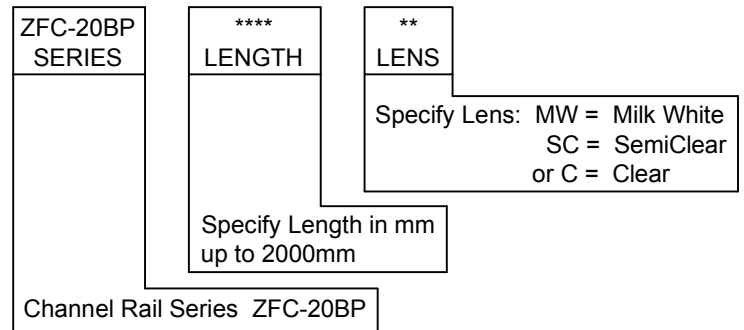
Two Piece Sliding Fixture allows for direct mounting, no mounting clips required



## NOTES:

1. Rail Material 6063 Al Clear Anodized with a Matte Finish.
2. Lens Material is PMMA.
3. Operating Temperature -26 C to +60 C.

## CHANNEL LENGTH AND LENS ORDERING GUIDE



## OPTIONAL ACCESSORIES

Solderless LED Flex Input Connector  
JKL Part No. ZFS-CH140-I

JKL Part Number Example: ZFC-20BP1000-MW  
Channel Series with 1 Meter (1000mm) Length and Milk White Lens.

			<b>METRIC</b>  THIRD ANGLE PROJECTION		DIMENSIONS ARE IN mm (INCHES) TOLERANCE UNLESS OTHERWISE SPECIFIED 1 PL +/- REF. 2 PL +/- REF. ANGLE +/-		<b>JKL COMPONENTS CORPORATION</b>									
							TITLE <b>ALUMINUM LED CHANNEL</b>									
<b>B</b>	ADD OPT. ACCESS. & CHANGE FEATURES	8/4/15	DRAWN BY	APP'VD BY	DATE	SIZE	FSCM NO.	DRAWING NO.								
<b>A</b>	ADD SEMI CLEAR LENS	8/6/14	L. WENGSTROM	S.C.	8/4/15	<b>A</b>	<b>55335</b>	<b>ZFC-20BP MULTI</b>								
	RELEASED	7/25/14						RELEASED DATE		7/25/14	REVISION DATE	8/4/15	REV. NO.	<b>B</b>	SHEET	1 OF 1
REV. NO.	DESCRIPTION/ECO NUMBER	APP'VD DATE	- CAD DRAWING -		SCALE		NONE									
			MANUAL REVISIONS NOT PERMITTED													