



Chipsmall Limited consists of a professional team with an average of over 10 year of expertise in the distribution of electronic components. Based in Hongkong, we have already established firm and mutual-benefit business relationships with customers from,Europe,America and south Asia,supplying obsolete and hard-to-find components to meet their specific needs.

With the principle of "Quality Parts,Customers Priority,Honest Operation,and Considerate Service",our business mainly focus on the distribution of electronic components. Line cards we deal with include Microchip,ALPS,ROHM,Xilinx,Pulse,ON,Everlight and Freescale. Main products comprise IC,Modules,Potentiometer,IC Socket,Relay,Connector.Our parts cover such applications as commercial,industrial, and automotives areas.

We are looking forward to setting up business relationship with you and hope to provide you with the best service and solution. Let us make a better world for our industry!



## Contact us

Tel: +86-755-8981 8866 Fax: +86-755-8427 6832

Email & Skype: info@chipsmall.com Web: www.chipsmall.com

Address: A1208, Overseas Decoration Building, #122 Zhenhua RD., Futian, Shenzhen, China



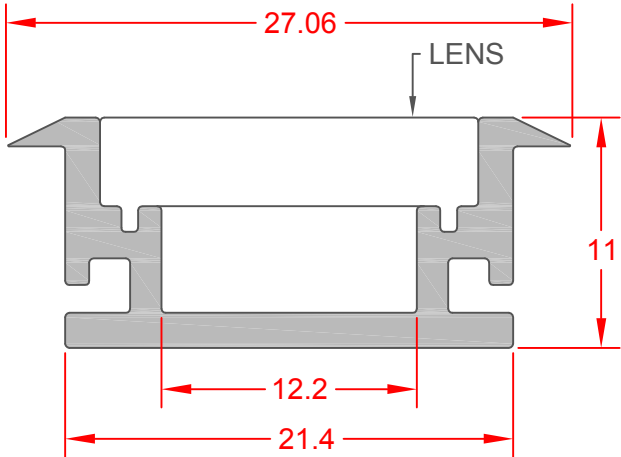
# ALUMINUM LED CHANNEL

## FEATURES

Compatible with all 8,10, and 12mm wide LED Flex Ribbons.

Each Channel includes 2 End Caps and Frosted Lens.

Recessed design allows for flush mounting

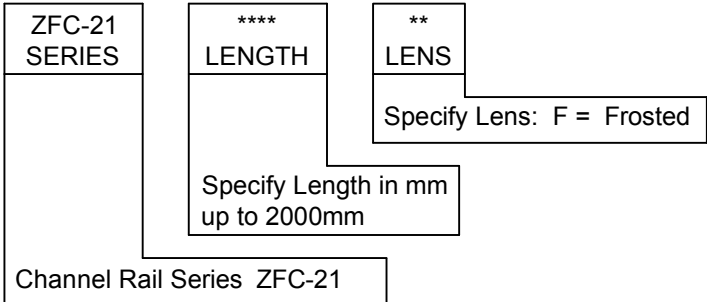


## NOTES:

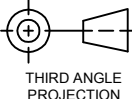
1. Channel Material 6063 Al Clear Anodized with a Matte Finish.
2. Lens Material is Polycarbonate.
3. Operating Temperature -26 C to +100C.



## CHANNEL LENGTH AND LENS ORDERING GUIDE



JKL Part Number Example: ZFC-211000-F  
Channel Series with 1 Meter (1000mm) Length and Frosted Lens.

			<b>METRIC</b>  THIRD ANGLE PROJECTION		DIMENSIONS ARE IN mm (INCHES) TOLERANCE UNLESS OTHERWISE SPECIFIED 1 PL +/- REF. 2 PL +/- REF. ANGLE +/-		<b>JKL</b> COMPONENTS CORPORATION								
					TITLE <b>RECESSED ALUMINUM LED CHANNEL</b>										
<b>A</b> TITLE & FEATURES CHANGES RELEASED			8/4/15 7/30/14	DRAWN BY L. WENGSTROM	APP'VD BY S.C.	DATE 8/4/15	SIZE <b>A</b>	FSCM NO. <b>55335</b>	DRAWING NO. <b>ZFC-21 MULTI</b>						
REV. NO.	DESCRIPTION/ECO NUMBER	APP'VD DATE	- CAD DRAWING - MANUAL REVISIONS NOT PERMITTED			SCALE	NONE	RELEASED DATE	7/30/14	REVISION DATE	8/4/15	REV. NO.	<b>A</b>	SHEET	1 OF 1