



Chipsmall Limited consists of a professional team with an average of over 10 year of expertise in the distribution of electronic components. Based in Hongkong, we have already established firm and mutual-benefit business relationships with customers from,Europe,America and south Asia,supplying obsolete and hard-to-find components to meet their specific needs.

With the principle of “Quality Parts,Customers Priority,Honest Operation,and Considerate Service”,our business mainly focus on the distribution of electronic components. Line cards we deal with include Microchip,ALPS,ROHM,Xilinx,Pulse,ON,Everlight and Freescale. Main products comprise IC,Modules,Potentiometer,IC Socket,Relay,Connector.Our parts cover such applications as commercial,industrial, and automotives areas.

We are looking forward to setting up business relationship with you and hope to provide you with the best service and solution. Let us make a better world for our industry!



## Contact us

Tel: +86-755-8981 8866 Fax: +86-755-8427 6832

Email & Skype: info@chipsmall.com Web: www.chipsmall.com

Address: A1208, Overseas Decoration Building, #122 Zhenhua RD., Futian, Shenzhen, China



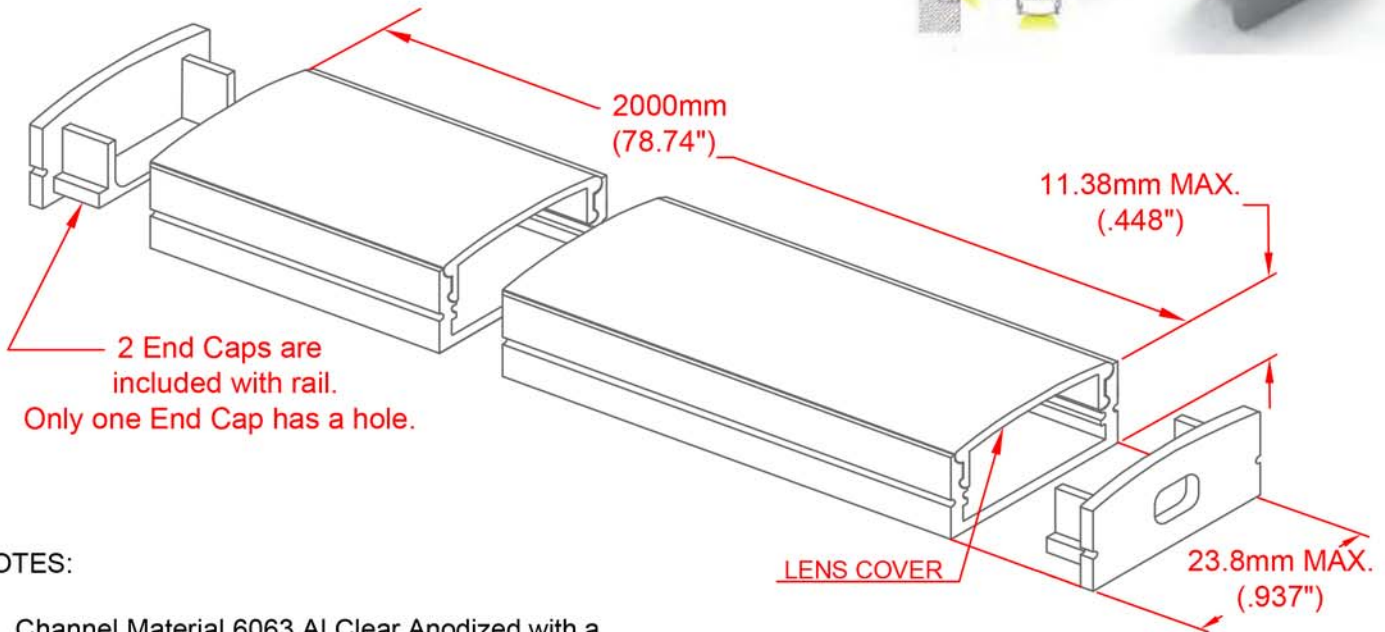
ALUMINUM DOUBLE ROW LED CHANNEL

FEATURES:

Accommodates most double row LED flex ribbons.

Each Channel includes 2 End Caps.

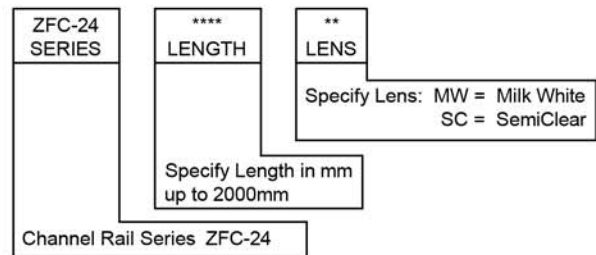
Two High Temperature Lens Options:  
Milk White or Semi Clear



NOTES:

1. Channel Material 6063 Al Clear Anodized with a Matte Finish.
2. Polycarbonate Lens Material
  - a) Operating Temperature -26 C to +100 C degrees.

CHANNEL LENGTH AND LENS ORDERING GUIDE



JKL Part Number Example: ZFC-241000-PCMW  
Channel Series with 1 Meter (1000mm) Length and High Temperature Polycarbonate Milk White Lens.



End Cap without hole  
ZRC-24-ECN



End Cap with hole  
ZRC-24-ECH



Compatible Mounting Clip  
ZRC-24-MC

<p>METRIC THIRD ANGLE PROJECTION</p>		<p>DIMENSIONS ARE IN mm (INCHES) TOLERANCE UNLESS OTHERWISE SPECIFIED 1 PL +/- REF. 2 PL +/- REF. ANGLE +/-</p>		<p><b>JKL COMPONENTS CORPORATION</b></p>			
DRAWN BY L. WENGSTROM		APPVD BY S.C.		DATE 11/28/16	SIZE <b>A</b>	FSCM NO. <b>55335</b>	DRAWING NO. <b>ZFC-242000-PC</b>
TITLE <b>ALUMINUM LED CHANNEL ZFC-24-PC SERIES WITH POLYCARBONATE LENS</b>				SCALE NONE	RELEASED DATE 11/28/16	REVISION DATE	REV. NO.
REV. NO.	DESCRIPTION/ECO NUMBER	APPVD DATE	- CAD DRAWING - MANUAL REVISIONS NOT PERMITTED		RELEASED DATE	REVISION DATE	SHEET 1 OF 1

RELEASE	11/28/16
REV. NO.	DESCRIPTION/ECO NUMBER
APPVD DATE	