



Chipsmall Limited consists of a professional team with an average of over 10 year of expertise in the distribution of electronic components. Based in Hongkong, we have already established firm and mutual-benefit business relationships with customers from,Europe,America and south Asia,supplying obsolete and hard-to-find components to meet their specific needs.

With the principle of “Quality Parts,Customers Priority,Honest Operation,and Considerate Service”,our business mainly focus on the distribution of electronic components. Line cards we deal with include Microchip,ALPS,ROHM,Xilinx,Pulse,ON,Everlight and Freescale. Main products comprise IC,Modules,Potentiometer,IC Socket,Relay,Connector.Our parts cover such applications as commercial,industrial, and automotives areas.

We are looking forward to setting up business relationship with you and hope to provide you with the best service and solution. Let us make a better world for our industry!



Contact us

Tel: +86-755-8981 8866 Fax: +86-755-8427 6832

Email & Skype: info@chipsmall.com Web: www.chipsmall.com

Address: A1208, Overseas Decoration Building, #122 Zhenhua RD., Futian, Shenzhen, China



10mm X 5000mm RGB LIGHT RIBBON

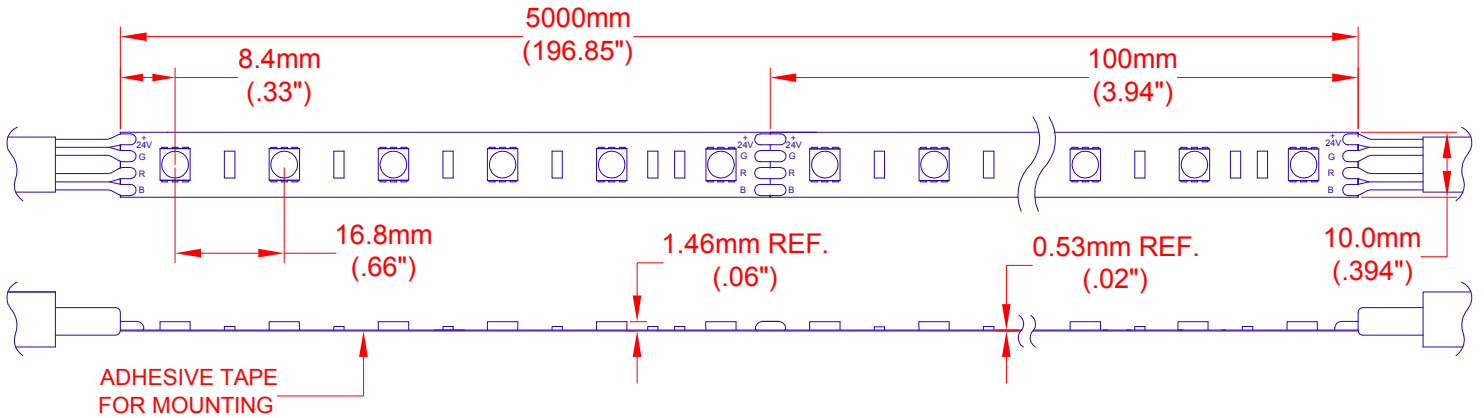
FEATURES

VOLTAGE: 24V DC
 CURRENT: 3.0A
 LED VIEWING ANGLE (2 θ 1/2): 100°

STANDARD PACKAGING:
 5 METER REEL (300 LED'S)

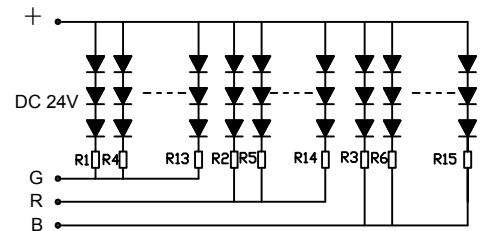
OPTIONAL PACKAGING:
 INDIVIDUAL 500mm SECTIONS (30 LED'S)
 ORDER AS ZFS-105000-24RGB/SEC

Note: Individual Sections ARE NOT supplied with insulated wire connections.



Electrical/Optical Characteristics at TA = 25°C

Parameter	Symbol	Color	Condition	Min	Typ	Max	Unit
Forward Voltage DC	VF	RGB	IF = 3.0A	--	24	--	V
Dominant Wavelength	λD	R	IF = 1.0A	618	630	--	nm
		G	IF = 1.0A	515	524	--	
		B	IF = 1.0A	455	470	--	
Luminous Flux	φV	R	IF = 1.0A	--	428	--	lm
		G	IF = 1.0A	--	1508	--	
		B	IF = 1.0A	--	143	--	
Recommend Forward Current	IF(rec)	--	--	--	2.4	--	A

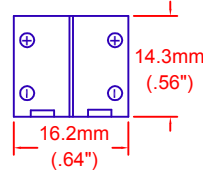


Absolute Maximum Rating at TA = 25°C

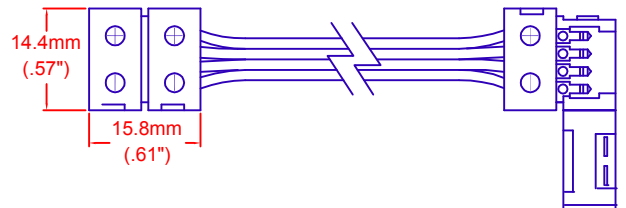
Parameter	Symbol	Absolute Maximum Rating	Unit
Forward Current	IF	3	A
Power Dissipation	PD	72	W
Electrostatic Discharge	ESD	400	V
Operating Temperature	Topr	-20~+50	°C
Storage Temperature	Tstg	-30~+80	°C

Mating Components

ZFS-CH0-RGB10J Flex to Flex No Solder Connector



ZCH-170-RGB-J Flex Ribbon Joiner Harness



ATTENTION
 OBSERVE PRECAUTION
 FOR HANDLING ELECTROSTATIC
 DISCHARGE SENSITIVE DEVICES

JKL PART NO.: ZFS-105000-24RGB

METRIC THIRD ANGLE PROJECTION		DIMENSIONS ARE IN mm (INCHES) TOLERANCE UNLESS OTHERWISE SPECIFIED 1 PL +/- REF. 2 PL +/- REF. ANGLE +/-		JKL COMPONENTS CORPORATION					
				TITLE 24 V RGB LED FLEX STRIP					
A CHANGE MATING COMPONENT RELEASED	3/29/16 3/15/16	DRAWN BY L. WENGSTROM	APP'VD BY DATE L.R. 3/29/16	SIZE A	FSCM NO. 55335	DRAWING NO. ZFS-105000-24RGB			
REV. NO. DESCRIPTION/ECO		APP'VD DATE		SCALE NONE		RELEASED DATE 3/15/16	REVISION DATE 3/29/16	REV. NO. A	SHEET 1 OF 1

REV. NO.	DESCRIPTION/ECO	APP'VD DATE
A	CHANGE MATING COMPONENT RELEASED	3/29/16 3/15/16