



Chipsmall Limited consists of a professional team with an average of over 10 year of expertise in the distribution of electronic components. Based in Hongkong, we have already established firm and mutual-benefit business relationships with customers from,Europe,America and south Asia,supplying obsolete and hard-to-find components to meet their specific needs.

With the principle of “Quality Parts,Customers Priority,Honest Operation,and Considerate Service”,our business mainly focus on the distribution of electronic components. Line cards we deal with include Microchip,ALPS,ROHM,Xilinx,Pulse,ON,Everlight and Freescale. Main products comprise IC,Modules,Potentiometer,IC Socket,Relay,Connector.Our parts cover such applications as commercial,industrial, and automotives areas.

We are looking forward to setting up business relationship with you and hope to provide you with the best service and solution. Let us make a better world for our industry!



## Contact us

Tel: +86-755-8981 8866 Fax: +86-755-8427 6832

Email & Skype: info@chipsmall.com Web: www.chipsmall.com

Address: A1208, Overseas Decoration Building, #122 Zhenhua RD., Futian, Shenzhen, China



# LED FLEX RIBBON

## Features

VOLTAGE: 12V DC  
 CURRENT: 1800mA  
 LED VIEWING ANGLE (2 θ 1/2): 120°

STANDARD PACKAGING:  
 5 Meter Reel (300 LED's)

OPTIONAL PACKAGING:  
 Individual 500mm Sections (30 LED's)  
 Order as ZFS-8500-XX/SEC

Note: Individual Sections ARE NOT supplied with insulated wire connection.



## Maximum Ratings

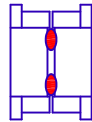
Parameter	Symbol	Rating	Unit
Electrostatic Discharge	ESD	800	V
Operating Temperature	Topr	-30~+85	°C
Storage Temperature	Tstg	-40~+100	°C

## Accessories

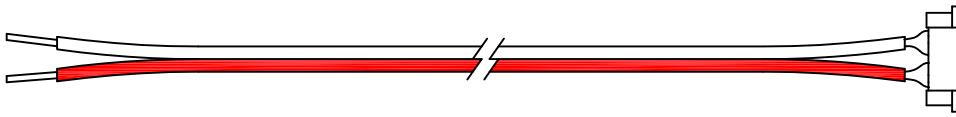
ZPS-1220 12V, 20 Watt Power Supply  
 ZPS-1225 12V, 25 Watt Power Supply  
 ZPS-1235 12V, 35 Watt Power Supply  
 ZPS-1260 12V, 60 Watt Power Supply  
 ZDM-01 PWM LED Dimmer

Note: ZPS-1235 and ZPS-1260 require use of wire nuts for connections.

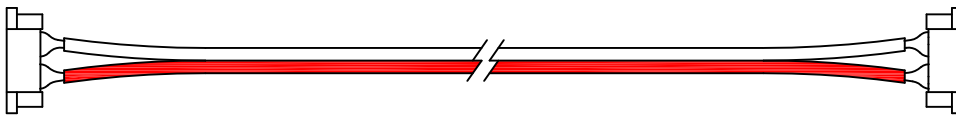
## Mating Components



ZFS-CHO-J: Solderless Connector



ZFS-CH200-I:  
Solderless Input Connector



ZFS-CH205-J:  
Solderless Joiner Connector

## Note

Please refer to JKL Application Sheet JKL-AS-ZFS-LED FLEX for Installation and Power Recommendations.



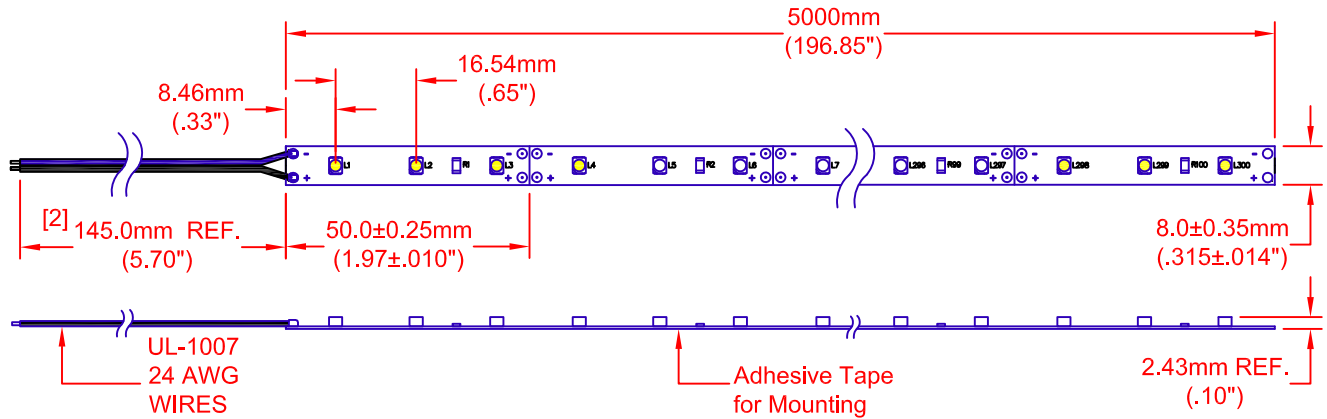
### ATTENTION

OBSERVE PRECAUTION FOR HANDLING ELECTROSTATIC DISCHARGE SENSITIVE DEVICES

D			METRIC		DIMENSIONS ARE IN mm (INCHES)		JKL COMPONENTS CORPORATION					
ADD ACCESSORIES NOTES	8/16/11		 THIRD ANGLE PROJECTION	TOLERANCE UNLESS OTHERWISE SPECIFIED 1 PL +/- REF. 2 PL +/- REF. ANGLE +/-	TITLE							
ADD WIRE TYPE AND SIZE	6/27/11				LED FLEX RIBBON, 12V							
SHOW WIRES ON BOTH ENDS	2/15/11				DRAWN BY			SIZE	FSCM NO.	DRAWING NO.		
ADD ZFS-8500-Y PART NO & ASSESSORIES	12/28/10				L. WENGSTROM	L.R.	8/16/11	<b>A</b>	<b>55335</b>	ZFS-8500 MULTI		
RELEASED	8/18/10		- CAD DRAWING - MANUAL REVISIONS NOT PERMITTED			SCALE	RELEASED DATE	8/18/10	REVISION DATE	8/16/11	REV. NO. <b>D</b>	SHEET 1 OF 2

# LED FLEX RIBBON

## Dimensions



## Electro-Optical Characteristics (Ta = 25°C)

JKL Part Number	Color	Number of LED's	Input Voltage (V DC)	Power (W)	Current (mA)	Radiance Angle	CCT (K)	Lumen Flux (lm)
ZFS-8500-CW	Cool White	300	12	21.60	1800	120°	6000	1092
ZFS-8500-NW	Neutral White	300	12	21.60	1800	120°	4100	1014
ZFS-8500-WW	Warm White	300	12	21.60	1800	120°	3050	936
ZFS-8500-Y	Yellow	300	12	21.60	1800	120°	590nm	336

## Circuit Diagram

